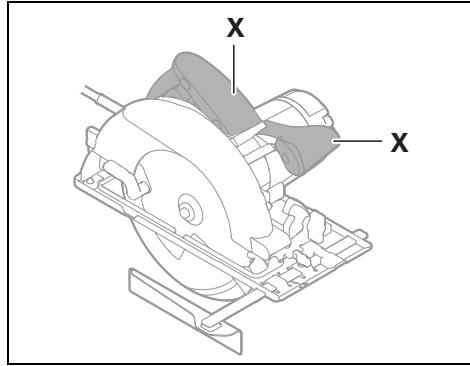


GKS 235 Professional

3 601 E7A 0..



- X Handle (insulated gripping surface)
- X 手柄 (絶縁握柄)
- X 手柄 (絶縁握柄)
- X 손잡이 (절연된 손잡이 부위)
- X ต้ามจับ (พื้นผิวจับที่มอดนวน)
- X Pegangan (genggaman terisolir)
- X Tay nắm (bề mặt nắm cách điện)
- X Poignée (surface de préhension isolante)
- X مقبض يدوي (سطح القبض معزول)
- X دستنه (با روکش عایق دار)
- X Empuñadura (zona de agarre aislada)
- X Punho (superfície isolada)
- X Tutamak (izolasyonlu tutamak yüzeyi)

Robert Bosch Power Tools GmbH
70538 Stuttgart
GERMANY

www.bosch-pt.com

1 609 92A 3TC (2009.11) AS / 1 ASIA



1 609 92A 3TC

Bosch Power Tools

1 609 92A 3TC | (18.1.17)