



# Professional GSH 500

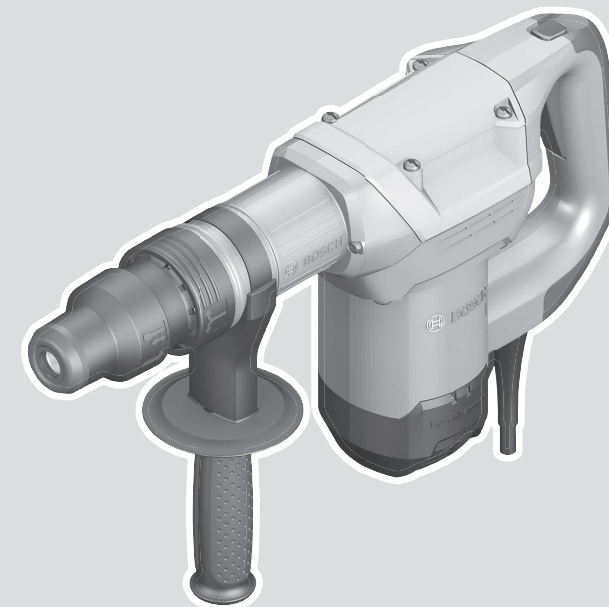
Robert Bosch Power Tools GmbH  
70538 Stuttgart  
GERMANY

[www.bosch-pt.com](http://www.bosch-pt.com)

1 609 92A D3H (2025.11) PS / 43



1 609 92A D3H



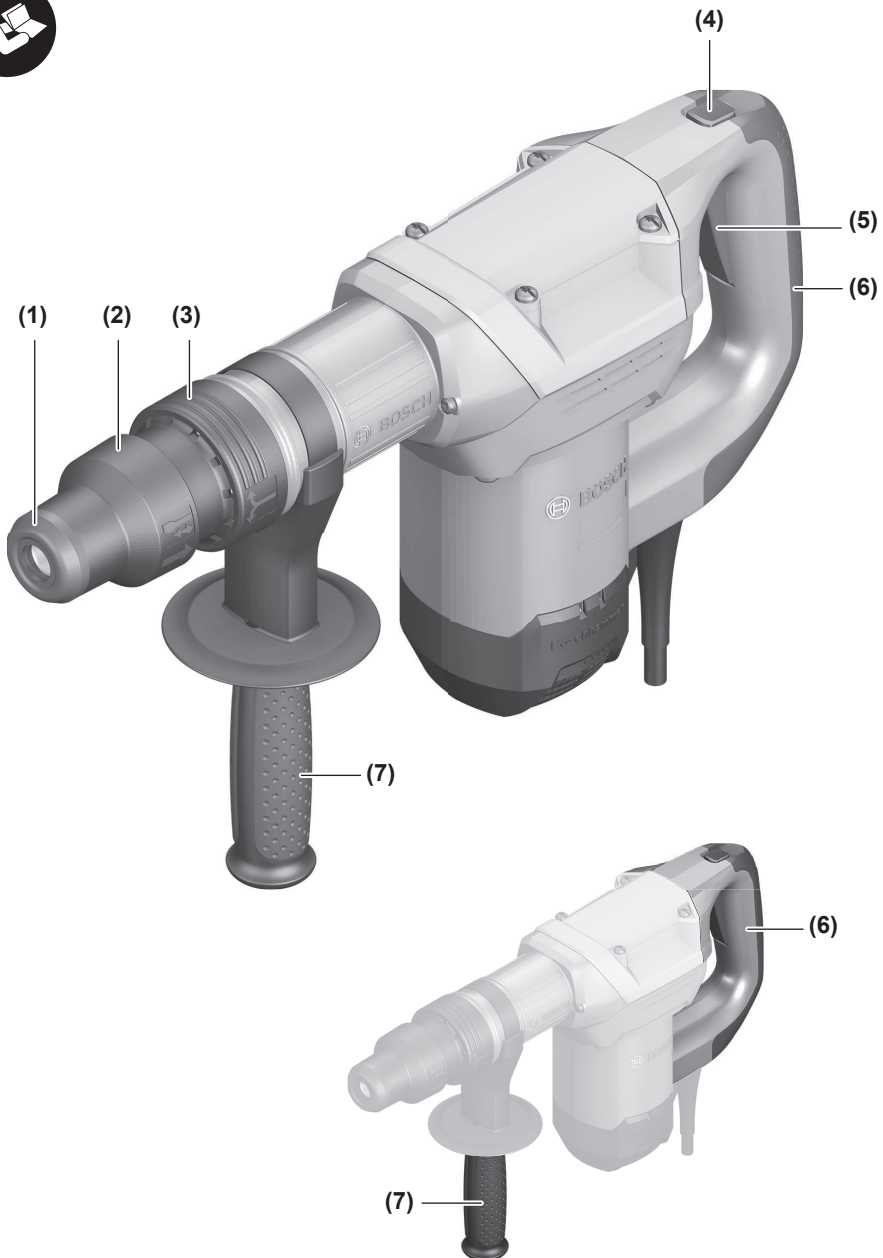
- en Original instructions
- fr Notice originale
- pt Manual original
- zh 正本使用说明书
- zh 原始使用說明書
- th หนังสือคู่มือการใช้งานฉบับต้นแบบ
- id Petunjuk-Petunjuk untuk Penggunaan Orisinal
- vi Bản gốc hướng dẫn sử dụng
- ar دليل التشغيل الأصلي
- fa دفترچه راهنمای اصلی

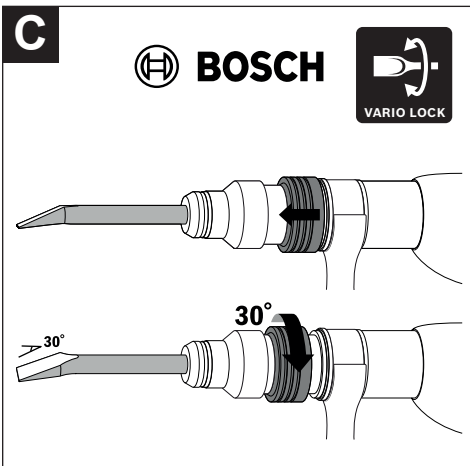
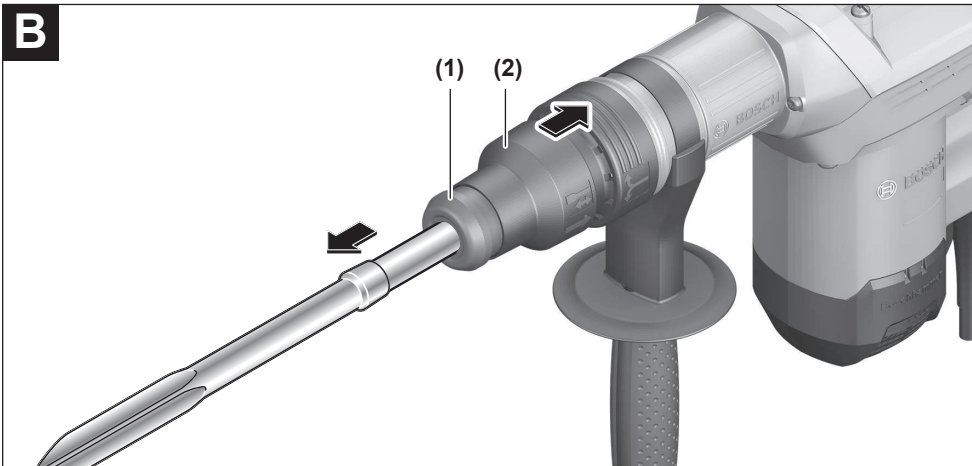
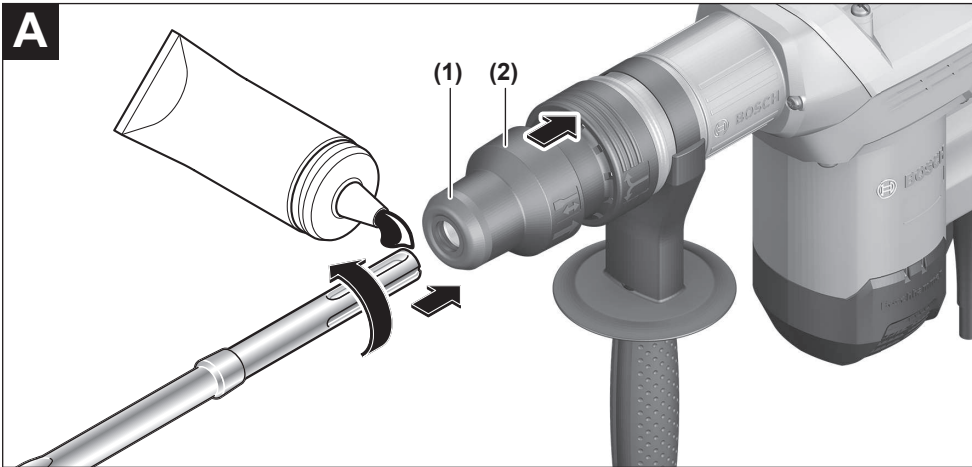


English .....	Page	5
Français .....	Page	8
Português .....	Página	13
中文 .....	頁	17
繁體中文 .....	頁	19
ไทย .....	หน้า	22
Bahasa Indonesia .....	Halaman	26
Tiếng Việt .....	Trang	29
عربي .....	الصفحة	34
فارسی .....	صفحه	38



<https://eu-doc.bosch.com/>





# English

## Safety instructions

### General Power Tool Safety Warnings

**⚠ WARNING** Read all safety warnings, instructions, illustrations and specifications provided with this power tool. Failure to follow all instructions listed below may result in electric shock, fire and/or serious injury.

**Save all warnings and instructions for future reference.**

The term "power tool" in the warnings refers to your mains-operated (corded) power tool or battery-operated (cordless) power tool.

#### Work area safety

- ▶ **Keep work area clean and well lit.** Cluttered or dark areas invite accidents.
- ▶ **Do not operate power tools in explosive atmospheres, such as in the presence of flammable liquids, gases or dust.** Power tools create sparks which may ignite the dust or fumes.
- ▶ **Keep children and bystanders away while operating a power tool.** Distractions can cause you to lose control.

#### Electrical safety

- ▶ **Power tool plugs must match the outlet. Never modify the plug in any way. Do not use any adapter plugs with earthed (grounded) power tools.** Unmodified plugs and matching outlets will reduce risk of electric shock.
- ▶ **Avoid body contact with earthed or grounded surfaces, such as pipes, radiators, ranges and refrigerators.** There is an increased risk of electric shock if your body is earthed or grounded.
- ▶ **Do not expose power tools to rain or wet conditions.** Water entering a power tool will increase the risk of electric shock.
- ▶ **Do not abuse the cord. Never use the cord for carrying, pulling or unplugging the power tool. Keep cord away from heat, oil, sharp edges or moving parts.** Damaged or entangled cords increase the risk of electric shock.
- ▶ **When operating a power tool outdoors, use an extension cord suitable for outdoor use.** Use of a cord suitable for outdoor use reduces the risk of electric shock.
- ▶ **If operating a power tool in a damp location is unavoidable, use a residual current device (RCD) protected supply.** Use of an RCD reduces the risk of electric shock.

#### Personal safety

- ▶ **Stay alert, watch what you are doing and use common sense when operating a power tool. Do not use a power tool while you are tired or under the influence of drugs, alcohol or medication.** A moment of inatten-

tion while operating power tools may result in serious personal injury.

- ▶ **Use personal protective equipment. Always wear eye protection.** Protective equipment such as a dust mask, non-skid safety shoes, hard hat or hearing protection used for appropriate conditions will reduce personal injuries.
- ▶ **Prevent unintentional starting. Ensure the switch is in the off-position before connecting to power source and/or battery pack, picking up or carrying the tool.** Carrying power tools with your finger on the switch or energising power tools that have the switch on invites accidents.
- ▶ **Remove any adjusting key or wrench before turning the power tool on.** A wrench or a key left attached to a rotating part of the power tool may result in personal injury.
- ▶ **Do not overreach. Keep proper footing and balance at all times.** This enables better control of the power tool in unexpected situations.
- ▶ **Dress properly. Do not wear loose clothing or jewellery. Keep your hair and clothing away from moving parts.** Loose clothes, jewellery or long hair can be caught in moving parts.
- ▶ **If devices are provided for the connection of dust extraction and collection facilities, ensure these are connected and properly used.** Use of dust collection can reduce dust-related hazards.
- ▶ **Do not let familiarity gained from frequent use of tools allow you to become complacent and ignore tool safety principles.** A careless action can cause severe injury within a fraction of a second.

#### Power tool use and care

- ▶ **Do not force the power tool. Use the correct power tool for your application.** The correct power tool will do the job better and safer at the rate for which it was designed.
- ▶ **Do not use the power tool if the switch does not turn it on and off.** Any power tool that cannot be controlled with the switch is dangerous and must be repaired.
- ▶ **Disconnect the plug from the power source and/or remove the battery pack, if detachable, from the power tool before making any adjustments, changing accessories, or storing power tools.** Such preventive safety measures reduce the risk of starting the power tool accidentally.
- ▶ **Store idle power tools out of the reach of children and do not allow persons unfamiliar with the power tool or these instructions to operate the power tool.** Power tools are dangerous in the hands of untrained users.
- ▶ **Maintain power tools and accessories. Check for misalignment or binding of moving parts, breakage of parts and any other condition that may affect the power tool's operation. If damaged, have the power tool repaired before use.** Many accidents are caused by poorly maintained power tools.

- ▶ **Keep cutting tools sharp and clean.** Properly maintained cutting tools with sharp cutting edges are less likely to bind and are easier to control.
- ▶ **Use the power tool, accessories and tool bits etc. in accordance with these instructions, taking into account the working conditions and the work to be performed.** Use of the power tool for operations different from those intended could result in a hazardous situation.
- ▶ **Keep handles and grasping surfaces dry, clean and free from oil and grease.** Slippery handles and grasping surfaces do not allow for safe handling and control of the tool in unexpected situations.

#### Service

- ▶ **Have your power tool serviced by a qualified repair person using only identical replacement parts.** This will ensure that the safety of the power tool is maintained.

### Hammer Safety Warnings

#### Safety instructions for all operations

- ▶ **Wear ear protectors.** Exposure to noise can cause hearing loss.
- ▶ **Use auxiliary handle(s), if supplied with the tool.** Loss of control can cause personal injury.
- ▶ **Hold the power tool by insulated gripping surfaces, when performing an operation where the cutting accessory may contact hidden wiring or its own cord.** Cutting accessory contacting a "live" wire may make exposed metal parts of the power tool "live" and could give the operator an electric shock.

#### Additional Safety Instructions

- ▶ **Use suitable detectors to determine if utility lines are hidden in the work area or call the local utility company for assistance.** Contact with electric lines can lead to fire and electric shock. Damaging a gas line can lead to explosion. Penetrating a water line causes property damage or may cause an electric shock.
- ▶ **Always wait until the power tool has come to a complete stop before placing it down.** The application tool can jam and cause you to lose control of the power tool.
- ▶ **Secure the workpiece.** A workpiece clamped with clamping devices or in a vice is held more secure than by hand.
- ▶ **Do not touch any application tools or adjacent housing components shortly after operation.** These can become very hot during operation and cause burns.
- ▶ **Take care when carrying out demolition work using the chisel.** Falling fragments of the demolition material could injure you or any bystanders.
- ▶ **Hold the power tool firmly with both hands and make sure you have a stable footing.** The power tool can be more securely guided with both hands.

## Product Description and Specifications



#### Read all the safety and general instructions.

Failure to observe the safety and general instructions may result in electric shock, fire and/or serious injury.

Please observe the illustrations at the beginning of this operating manual.

#### Intended use

The power tool is intended for chiselling work in concrete, brick, stone and asphalt, as well as for driving in and compressing with the appropriate accessories.

#### Product Features

The numbering of the product features refers to the diagram of the power tool on the graphics page.

- (1) Dust protection cap
- (2) Locking sleeve
- (3) Chisel adjustment ring (Vario-Lock)
- (4) Lock-on button for on/off switch
- (5) On/off switch
- (6) Handle (insulated gripping surface)
- (7) Auxiliary handle (insulated gripping surface)

#### Technical Data

Demolition hammer		GSH 500
Article number		<b>3 611 C38 7..</b>
Rated power input	W	1100
Impact rate	min <sup>-1</sup>	2900
Chisel positions		12
Tool holder		SDS max
Lubrication		Grease lubrication
Weight <sup>A)</sup>	kg	5.7
Protection class		□ / II

A) With auxiliary handle (7), without mains connection cable  
The specifications apply to a rated voltage [U] of 230 V. These specifications may vary at different voltages and in country-specific models.

Values can vary depending on the product, scope of application and environmental conditions. To find out more, visit [www.bosch-professional.com/wac](http://www.bosch-professional.com/wac).

#### Noise/Vibration Information

Noise emission values determined according to **EN IEC 62841-2-6**.

Typically, the A-weighted noise level of the power tool is:  
Sound pressure level **92 dB(A)**; sound power level **100 dB(A)**. Uncertainty K = **3 dB**.

**Wear hearing protection!**

Vibration values  $a_{h_i}$  (continuous vibrations),  $p_{F_i}$  (repeated shock vibrations) and uncertainty K determined according to **EN IEC 62841-2-6**:

Chiselling:  $a_{h_i, CHEq} = 14.2 \text{ m/s}^2$  ( $K = 1.5 \text{ m/s}^2$ ),

$p_{F_i, CHEq} = 320 \text{ m/s}^2$  ( $K = 33 \text{ m/s}^2$ )

The vibration level and noise emission value given in these instructions have been measured in accordance with a standardised measuring procedure and may be used to compare power tools. They may also be used for a preliminary estimation of vibration and noise emissions.

The stated vibration level and noise emission value represent the main applications of the power tool. However, if the power tool is used for other applications, with different accessories or is poorly maintained, the vibration level and noise emission value may differ. This may significantly increase the vibration and noise emissions over the total working period.

To estimate vibration and noise emissions accurately, the times when the tool is switched off or when it is running but not actually being used should also be taken into account. This may significantly reduce vibration and noise emissions over the total working period.

Implement additional safety measures to protect the operator from the effects of vibration, such as servicing the power tool and accessories, keeping their hands warm, and organising workflows correctly.

## Assembly

- **Pull the plug out of the socket before carrying out any work on the power tool.**

### Auxiliary Handle

- **Do not operate your power tool without the auxiliary handle (7).**

You can swivel the auxiliary handle (7) to any angle for a safe work posture that minimises fatigue.

- Turn the lower gripping end of the auxiliary handle (7) anticlockwise and swivel the auxiliary handle (7) into the required position. Then, turn the lower gripping end of the auxiliary handle (7) clockwise to retighten.

### Changing the Tool

With the SDS max tool holder, you can change the application tool simply and easily without additional aids.

The dust protection cap (1) largely prevents the penetration of dust into the tool holder during operation. When inserting the tool, make sure that the dust protection cap (1) does not become damaged.

- **Replace a damaged dust protection cap immediately. It is recommended that you have use an after-sales service for this.**

### Inserting the application tool (see figure A)

- Clean and lightly grease the shank of the application tool.

- Push the locking sleeve (2) back and insert the application tool by turning it into the tool holder. Release the locking sleeve (2) to lock the application tool.
- Check the latching by pulling the tool.

### Removing the application tool (see figure B)

- Push the locking sleeve (2) back and remove the application tool.

## Dust Reduction

Do not perform work without taking dust-reducing measures. Depending on the intended application, the power tool can be combined with a dust-reducing accessory together with a dust extractor.

Always use suitable breathing protection. The regulations on the materials being machined that apply in the country of use must be observed.

Requirements for the Dust Extractor		
Recommended hose nominal diameter	mm	<b>35</b>
Required vacuum pressure <sup>A)</sup>	mbar	<b>≥ 230</b>
	hPa	<b>≥ 230</b>
Required flow rate <sup>A)</sup>	l/s	<b>≥ 36</b>
	m <sup>3</sup> /h	<b>≥ 129.6</b>
Recommended filter efficiency		Dust class M <sup>B)</sup>

A) Power value at the power tool's dust extractor connection

B) According to IEC/EN 60335-2-69

Refer to the dust extractor's instructions. If there is reduced suction power, stop working and eliminate the cause.

## Operation

- **Products that are only sold in AUS and NZ:** Use a residual current device (RCD) with a nominal residual current of 30 mA or less.

### Starting Operation

- **Pay attention to the mains voltage.** The voltage of the power source must match the voltage specified on the rating plate of the power tool.

### Switching On and Off

- To **start** the power tool, press and hold the on/off switch (5).
- Press the lock button (4) to **lock** the on/off switch (5) in this position.
- To **switch off** the power tool, release the on/off switch (5); or, if the switch is locked with the lock button (4), briefly press the on/off switch (5) and then release it.

At low temperatures, the power tool will take a certain amount of time to reach its full impact performance. You can shorten this warm-up time by tapping the power tool's inserted application tool on the ground once.

### Changing the chiselling position (Vario-Lock) (see figure C)

You can lock the chisel in **12** different positions, allowing you to select the optimum working position for each task.

- Insert the chisel into the tool holder.
- Push the chisel adjustment ring **(3)** forwards and turn the chisel to the required position with the chisel adjustment ring **(3)**.
- Release the chisel adjustment ring **(3)** and turn the chisel until it audibly clicks into place.

### Working Advice

#### Sharpening Chisels

Only sharp chiselling tools will produce good results, therefore sharpen your chiselling tools in good time before use. This will ensure a long service life for the tools and good work results.

#### Re-sharpening

Grind chiselling tools against sanding discs, e.g. aluminium oxide, under a steady stream of water. Make sure that the cutting edges show no annealing colours; this will impair the hardness of the chiselling tools.

To **forge** a chisel, heat it to 850–1050 °C (pale red to yellow).

To **harden** a chisel, heat it to approx. 900 °C and quench in oil. Then, leave it in an oven for approx. one hour at 320 °C (annealing colour: pale blue).

## Maintenance and Service

### Maintenance and Cleaning

- ▶ **Pull the plug out of the socket before carrying out any work on the power tool.**
- ▶ **To ensure safe and efficient operation, always keep the power tool and the ventilation slots clean.**

In order to avoid safety hazards, if the power supply cord needs to be replaced, this must be done by **Bosch** or by an after-sales service centre that is authorised to repair **Bosch** power tools.

- ▶ **Replace a damaged dust protection cap immediately. It is recommended that you have use an after-sales service for this.**

### Lubrication

The power tool is lubricated with grease and is ready for immediate use.

The lubricating grease should only be changed during maintenance or commissioning carried out by an after-sales service centre authorised to work with Bosch power tools. It is crucial that only lubricating grease provided by Bosch is used.

The lubricating grease must be changed every time the carbon brushes are replaced. The old lubricating grease must be removed before new lubricating grease is applied.

## After-Sales Service and Application Service

### Malaysia

Tel.: (03) 79663194

You can find the link to our service addresses and warranty conditions on the last page.

In all correspondence and spare parts orders, please always include the 10-digit article number given on the nameplate of the product.

### Disposal

The power tool, accessories and packaging should be recycled in an environmentally friendly manner.



Do not dispose of power tools along with household waste.

## Français

## Consignes de sécurité

### Avertissements de sécurité généraux pour l'outil électrique

#### **AVERTISSEMENT**

**Lire tous les avertissements de sécurité, les instructions, les illustrations et les spécifications fournis**

**avec cet outil électrique.** Ne pas suivre les instructions énumérées ci-dessous peut provoquer un choc électrique, un incendie et/ou une blessure sérieuse.

**Conserver tous les avertissements et toutes les instructions pour pouvoir s'y reporter ultérieurement.**

Le terme "outil électrique" dans les avertissements fait référence à votre outil électrique alimenté par le secteur (avec cordon d'alimentation) ou votre outil électrique fonctionnant sur batterie (sans cordon d'alimentation).

#### Sécurité de la zone de travail

- ▶ **Conserver la zone de travail propre et bien éclairée.**  
Les zones en désordre ou sombres sont propices aux accidents.
- ▶ **Ne pas faire fonctionner les outils électriques en atmosphère explosive, par exemple en présence de liquides inflammables, de gaz ou de poussières.** Les outils électriques produisent des étincelles qui peuvent enflammer les poussières ou les fumées.
- ▶ **Maintenir les enfants et les personnes présentes à l'écart pendant l'utilisation de l'outil électrique.** Les distractions peuvent vous faire perdre le contrôle de l'outil.

#### Sécurité électrique

- ▶ **Il faut que les fiches de l'outil électrique soient adaptées au socle. Ne jamais modifier la fiche de quelque**

façon que ce soit. **Ne pas utiliser d'adaptateurs avec des outils électriques à branchement de terre.** Des fiches non modifiées et des socles adaptés réduisent le risque de choc électrique.

- ▶ **Éviter tout contact du corps avec des surfaces reliées à la terre telles que les tuyaux, les radiateurs, les cuisinières et les réfrigérateurs.** Il existe un risque accru de choc électrique si votre corps est relié à la terre.
- ▶ **Ne pas exposer les outils électriques à la pluie ou à des conditions humides.** La pénétration d'eau à l'intérieur d'un outil électrique augmente le risque de choc électrique.
- ▶ **Ne pas maltraiter le cordon. Ne jamais utiliser le cordon pour porter, tirer ou débrancher l'outil électrique. Maintenir le cordon à l'écart de la chaleur, du lubrifiant, des arêtes vives ou des parties en mouvement.** Des cordons endommagés ou emmêlés augmentent le risque de choc électrique.
- ▶ **Lorsqu'on utilise un outil électrique à l'extérieur, utiliser un prolongateur adapté à l'utilisation extérieure.** L'utilisation d'un cordon adapté à l'utilisation extérieure réduit le risque de choc électrique.
- ▶ **Si l'usage d'un outil électrique dans un emplacement humide est inévitable, utiliser une alimentation protégée par un dispositif à courant différentiel résiduel (RCD).** L'usage d'un RCD réduit le risque de choc électrique.

#### Sécurité des personnes

- ▶ **Rester vigilant, regarder ce que vous êtes en train de faire et faire preuve de bon sens dans votre utilisation de l'outil électrique. Ne pas utiliser un outil électrique lorsque vous êtes fatigué ou sous l'emprise de drogues, de l'alcool ou de médicaments.** Un moment d'inattention en cours d'utilisation d'un outil électrique peut entraîner des blessures graves.
- ▶ **Utiliser un équipement de protection individuelle. Toujours porter une protection pour les yeux.** Les équipements de protection individuelle tels que les masques contre les poussières, les chaussures de sécurité antidérapantes, les casques ou les protections auditives utilisés pour les conditions appropriées réduisent les blessures.
- ▶ **Éviter tout démarrage intempestif. S'assurer que l'interrupteur est en position arrêt avant de brancher l'outil au secteur et/ou au bloc de batteries, de le ramasser ou de le porter.** Porter les outils électriques en ayant le doigt sur l'interrupteur ou brancher des outils électriques dont l'interrupteur est en position marche est source d'accidents.
- ▶ **Retirer toute clé de réglage avant de mettre l'outil électrique en marche.** Une clé laissée fixée sur une partie tournante de l'outil électrique peut donner lieu à des blessures.
- ▶ **Ne pas se précipiter. Garder une position et un équilibre adaptés à tout moment.** Cela permet un meilleur

contrôle de l'outil électrique dans des situations inattendues.

- ▶ **S'habiller de manière adaptée. Ne pas porter de vêtements amples ou de bijoux. Garder les cheveux et les vêtements à distance des parties en mouvement.** Des vêtements amples, des bijoux ou les cheveux longs peuvent être pris dans des parties en mouvement.
- ▶ **Si des dispositifs sont fournis pour le raccordement d'équipements pour l'extraction et la récupération des poussières, s'assurer qu'ils sont connectés et correctement utilisés.** Utiliser des collecteurs de poussière peut réduire les risques dus aux poussières.
- ▶ **Rester vigilant et ne pas négliger les principes de sécurité de l'outil sous prétexte que vous avez l'habitude de l'utiliser.** Une fraction de seconde d'inattention peut provoquer une blessure grave.

#### Utilisation et entretien de l'outil électrique

- ▶ **Ne pas forcer l'outil électrique. Utiliser l'outil électrique adapté à votre application.** L'outil électrique adapté réalise mieux le travail et de manière plus sûre au régime pour lequel il a été construit.
- ▶ **Ne pas utiliser l'outil électrique si l'interrupteur ne permet pas de passer de l'état de marche à arrêt et inversement.** Tout outil électrique qui ne peut pas être commandé par l'interrupteur est dangereux et il faut le réparer.
- ▶ **Débrancher la fiche de la source d'alimentation et/ou enlever le bloc de batteries, s'il est amovible, avant tout réglage, changement d'accessoires ou avant de ranger l'outil électrique.** De telles mesures de sécurité préventives réduisent le risque de démarrage accidentel de l'outil électrique.
- ▶ **Conserver les outils électriques à l'arrêt hors de la portée des enfants et ne pas permettre à des personnes ne connaissant pas l'outil électrique ou les présentes instructions de le faire fonctionner.** Les outils électriques sont dangereux entre les mains d'utilisateurs novices.
- ▶ **Observer la maintenance des outils électriques et des accessoires. Vérifier qu'il n'y a pas de mauvais alignement ou de blocage des parties mobiles, des pièces cassées ou toute autre condition pouvant affecter le fonctionnement de l'outil électrique. En cas de dommages, faire réparer l'outil électrique avant de l'utiliser.** De nombreux accidents sont dus à des outils électriques mal entretenus.
- ▶ **Garder affûtés et propres les outils permettant de couper.** Des outils destinés à couper correctement entretenus avec des pièces coupantes tranchantes sont moins susceptibles de bloquer et sont plus faciles à contrôler.
- ▶ **Utiliser l'outil électrique, les accessoires et les lames etc., conformément à ces instructions, en tenant compte des conditions de travail et du travail à réaliser.** L'utilisation de l'outil électrique pour des opérations

différentes de celles prévues peut donner lieu à des situations dangereuses.

- **Il faut que les poignées et les surfaces de préhension restent sèches, propres et dépourvues d'huiles et de graisses.** Des poignées et des surfaces de préhension glissantes rendent impossibles la manipulation et le contrôle en toute sécurité de l'outil dans les situations inattendues.

#### Maintenance et entretien

- **Faire entretenir l'outil électrique par un réparateur qualifié utilisant uniquement des pièces de rechange identiques.** Cela assure le maintien de la sécurité de l'outil électrique.

#### Avertissements de sécurité pour les marteaux

##### Instructions de sécurité pour toutes les opérations

- **Porter des protecteurs d'oreilles.** L'exposition au bruit peut provoquer une perte de l'audition.
- **Utiliser la ou les poignées auxiliaires, si l'outil en est équipé.** Toute perte de contrôle peut entraîner des dommages corporels.
- **Tenir l'outil électrique par des surfaces de préhension isolées au cours d'une opération où l'accessoire de coupe peut être en contact avec des fils dissimulés ou son propre câble.** Des accessoires de coupe en contact avec un fil "sous tension" peuvent mettre des parties métalliques exposées de l'outil électrique "sous tension" et provoquer un choc électrique chez l'opérateur.

##### Consignes de sécurité additionnelles

- **Utilisez un détecteur approprié pour vérifier s'il n'y a pas de conduites cachées ou contactez votre société de distribution d'eau locale.** Tout contact avec des câbles électriques peut provoquer un incendie ou un choc électrique. Tout endommagement d'une conduite de gaz peut provoquer une explosion. La perforation d'une conduite d'eau provoque des dégâts matériels et peut provoquer un choc électrique.
- **Avant de poser l'outil électroportatif, attendez que celui-ci soit complètement à l'arrêt.** L'outil risque de se coincer, ce qui entraînerait une perte de contrôle de l'outil électroportatif.
- **Bloquez la pièce à travailler.** Une pièce à travailler serrée par des dispositifs de serrage appropriés ou dans un étau est fixée de manière plus sûre que quand elle est tenue avec une main.
- **Ne touchez pas les accessoires ou pièces adjacentes du carter juste après l'utilisation de l'outil électroportatif.** Ils peuvent devenir très chauds et causer des brûlures.
- **Soyez prudent lors de travaux de démolition avec un burin.** Les fragments de matériau qui se détachent risquent de vous blesser et de blesser les personnes qui se trouvent à proximité.
- **Lors du travail, tenez fermement l'outil électroportatif des deux mains et veillez à toujours garder une posi-**

**tion de travail stable.** Avec les deux mains, l'outil électroportatif est guidé en toute sécurité.

## Description des prestations et du produit



**Lisez attentivement toutes les instructions et consignes de sécurité.** Le non-respect des instructions et consignes de sécurité peut provoquer un choc électrique, un incendie et/ou entraîner de graves blessures.

Référez-vous aux illustrations qui se trouvent à l'avant de la notice d'utilisation.

#### Utilisation conforme

L'outil électroportatif est conçu pour des travaux de burinage dans le béton, la brique, la pierre et l'asphalte ainsi que, lorsqu'il est muni des accessoires adéquats, pour des travaux d'enfoncement et de compactage.

#### Éléments constitutifs

La numérotation des éléments se réfère à la représentation de l'outil électroportatif sur la page graphique.

- (1) Capuchon anti-poussière
- (2) Bague de verrouillage
- (3) Bague de réglage du burin (Vario-Lock)
- (4) Bouton de blocage de l'interrupteur Marche/Arrêt
- (5) Interrupteur Marche/Arrêt
- (6) Poignée (surface de préhension isolée)
- (7) Poignée supplémentaire (surface de préhension isolante)

#### Caractéristiques techniques

Marteau piqueur		GSH 500
Référence		<b>3 611 C38 7..</b>
Puissance absorbée nominale	W	1 100
Fréquence de frappe	tr/min	2 900
Positions de burin		12
Porte-outil		SDS max
Lubrification		Graisse lubrifiante
Poids <sup>A)</sup>	kg	5,7
Classe de protection		□ / II

A) Avec poignée auxiliaire (7), sans cordon d'alimentation secteur. Les données indiquées sont valables pour une tension nominale [U] de 230 V. Elles peuvent varier lorsque la tension diffère de cette valeur et sur certaines versions destinées à certains pays.

Les valeurs peuvent varier selon le produit, les conditions d'utilisation et les conditions ambiantes. Pour plus d'informations, rendez-vous sur [www.bosch-professional.com/wac](http://www.bosch-professional.com/wac).

#### Informations sur le niveau sonore/les vibrations

Valeurs d'émissions sonores déterminées conformément à **EN IEC 62841-2-6**.

Le niveau sonore en dB(A) typique de l'outil électroportatif est de : niveau de pression acoustique **92 dB(A)** ; dB(A) ; niveau de puissance acoustique **100 dB(A)**.  
Incertitude K = **3 dB**.

### Portez un casque antibruit !

Taux de vibration  $a_{h, \text{Cheq}}$  (vibrations continues),  $p_f$  (vibrations saccadées répétées) et incertitude K déterminés selon **EN IEC 62841-2-6** :

Burinage :  $a_{h, \text{Cheq}} = 14,2 \text{ m/s}^2$  (K = **1,5 m/s**<sup>2</sup>),

$p_{f, \text{Cheq}} = 320 \text{ m/s}^2$  (K = **33 m/s**<sup>2</sup>)

Le niveau de vibration et la valeur d'émission sonore indiqués dans cette notice d'utilisation ont été mesurés selon une procédure de mesure normalisée et peuvent être utilisés pour établir une comparaison entre différents outils électroportatifs. Ils peuvent aussi servir de base à une estimation préliminaire du taux de vibration et du niveau sonore.

Le niveau de vibration et la valeur d'émission sonore indiqués s'appliquent pour les utilisations principales de l'outil électroportatif. Si l'outil électroportatif est utilisé pour d'autres applications, avec d'autres accessoires de travail ou sans avoir fait l'objet d'un entretien régulier, le niveau de vibration et la valeur d'émission sonore peuvent différer. Il peut en résulter des vibrations et un niveau sonore nettement plus élevés pendant toute la durée de travail.

Pour une estimation précise du niveau de vibration et du niveau sonore, il faut aussi prendre en considération les périodes pendant lesquelles l'outil est éteint ou bien en marche sans être vraiment en action. Il peut en résulter au final un niveau de vibration et un niveau sonore nettement plus faibles pendant toute la durée de travail.

Prévoyez des mesures de protection supplémentaires permettant de protéger l'utilisateur de l'effet des vibrations, par exemple : maintenance de l'outil électroportatif et des accessoires de travail, maintien des mains au chaud, organisation des procédures de travail.

## Montage

- **Débranchez le câble d'alimentation de la prise avant d'effectuer des travaux quels qu'il soient sur l'outil électroportatif.**

### Poignée supplémentaire

- **N'utilisez l'outil électroportatif qu'avec la poignée supplémentaire (7).**

La poignée supplémentaire (7) peut être basculée dans n'importe quelle position, pour obtenir une position de travail sûre et peu fatigante.

- Tournez la partie inférieure de la poignée supplémentaire (7) dans le sens antihoraire et orientez la poignée supplémentaire (7) dans la position souhaitée. Resserrez ensuite la partie inférieure de la poignée supplémentaire (7) en la tournant dans le sens horaire.

### Changement d'accessoire

Le porte-outil SDS max permet de changer d'accessoire facilement et confortablement sans avoir à utiliser de clé.

Le pare-poussière (1) empêche dans une large mesure la pénétration de poussière dans le porte-outil pendant l'utilisation de l'outil électroportatif. Lors du montage de l'accessoire de travail, veillez à ne pas endommager le pare-poussière (1).

- **Remplacez immédiatement le capuchon anti-poussière s'il est endommagé. Il est recommandé de faire effectuer ce travail dans une centre de service après-vente.**

### Montage d'un accessoire de travail (voir figure A)

- Nettoyez l'extrémité de l'accessoire, et graissez-la légèrement.
- Poussez la douille de verrouillage (2) vers l'arrière et introduisez l'accessoire de travail dans le porte-outil en le tournant. Relâchez la douille de verrouillage (2) afin de bloquer l'accessoire de travail.
- Vérifiez que l'accessoire est bien bloqué en tirant dessus.

### Retrait de l'accessoire de travail (voir figure B)

- Poussez la douille de verrouillage (2) vers l'arrière et sortez l'accessoire de travail.

## Réduction des poussières

Évitez de travailler sans prendre de mesures visant à réduire les émissions de poussière. Si l'application le permet, utilisez l'outil électroportatif avec des accessoires réduisant les émissions de poussière et en plus un aspirateur. Portez systématiquement un masque de protection respiratoire. Respectez la réglementation en vigueur dans votre pays concernant les matériaux concernés.

### Critères à satisfaire par l'aspirateur

Diamètre nominal recommandé pour le flexible	mm	<b>35</b>
Dépression requise <sup>A)</sup>	mbar hPa	≥ <b>230</b> ≥ <b>230</b>
Débit d'air requis <sup>A)</sup>	l/s m <sup>3</sup> /h	≥ <b>36</b> ≥ <b>129,6</b>
Efficacité de filtration recommandée		Classe de filtration M <sup>B)</sup>

A) Puissance au niveau du raccord d'aspiration de l'outil électroportatif

B) Selon la norme CEI/EN 60335-2-69

Observez les indications figurant dans la notice de l'aspirateur. Cessez d'utiliser l'aspirateur en cas de dégradation des performances de filtration. Trouvez et supprimez la cause.

## Utilisation

### Mise en marche

- **Tenez compte de la tension secteur !** La tension du secteur doit correspondre aux indications se trouvant sur la plaque signalétique de l'outil électroportatif.

### Mise en marche/arrêt

- Pour **mettre en marche** l'outil électroportatif, appuyez sur l'interrupteur Marche/Arrêt (5) et maintenez-le enfoncé.
- Pour **bloquer** l'interrupteur Marche/Arrêt (5) en position enfoncée, actionnez le bouton de blocage (4).
- Pour **arrêter** l'outil électroportatif, relâchez l'interrupteur Marche/Arrêt (5). S'il est bloqué avec le bouton de blocage (4), appuyez brièvement sur l'interrupteur Marche/Arrêt (5) puis relâchez-le.

À basses températures, l'outil électroportatif n'atteint la puissance de frappe maximale qu'au bout d'un certain temps. Ce temps de démarrage peut être raccourci en tapant une fois le sol avec l'accessoire de travail en place dans l'outil électroportatif.

### Changement de la position du burin (Vario-Lock) (voir figure C)

Il est possible de bloquer le burin dans 12 positions. Ceci permet de toujours travailler dans une position de travail optimale.

- Insérez le burin dans le porte-outil.
- Poussez la bague de réglage du burin (3) vers l'avant et orientez le burin dans la position souhaitée à l'aide de la bague de réglage (3).
- Relâchez la bague de réglage (3) et faites tourner le burin jusqu'à ce qu'il s'enclenche.

## Instructions d'utilisation

### Affûtage des burins

Seuls des burins bien affûtés permettent d'obtenir de bons résultats. Affûtez donc les burins à temps. Cela prolonge par ailleurs leur durée de vie et garantit de meilleurs résultats de travail.

### Réaffûtage

Affûtez les burins à l'aide de meules (avec corindon semi-friable par ex.) en veillant à un arrosage régulier. Veillez à ce qu'il n'apparaisse pas de couleurs de revenu ; celles-ci altèrent la dureté des burins.

Pour le **forgeage**, chauffez le burin à une température se situant entre 850 et 1050 °C (couleur rouge claire à jaune). Pour le **trempe**, chauffez le burin à env. 900 °C et refroidissez-le dans de l'huile. Procédez ensuite à un recuit en plaçant le burin dans le four pendant une heure env. à 320 °C (couleur bleu clair).

## Entretien et Service après-vente

### Nettoyage et entretien

- **Débranchez le câble d'alimentation de la prise avant d'effectuer des travaux quels qu'il soient sur l'outil électroportatif.**
- **Toujours tenir propres l'outil électroportatif ainsi que les fentes de ventilation afin d'obtenir un travail impeccable et sûr.**

Dans le cas où il s'avère nécessaire de remplacer le câble d'alimentation, confiez le remplacement à **Bosch** ou une station de Service Après-Vente agréée pour outillage **Bosch** afin de ne pas compromettre la sécurité.

- **Remplacez immédiatement le capuchon anti-poussière s'il est endommagé. Il est recommandé de faire effectuer ce travail dans un centre de service après-vente.**

### Lubrification de l'outil électroportatif

L'outil électroportatif est déjà lubrifié et aussitôt prêt à l'emploi.

La graisse de lubrification n'a besoin d'être remplacée que dans le cadre d'un entretien ou d'une réparation confiés à un centre de Service après-vente agréé pour outillage électroportatif Bosch. Il est impératif d'utiliser alors la graisse de lubrification Bosch préconisée.

La graisse de lubrification doit également être obligatoirement renouvelée lors de chaque remplacement des charbons. Retirez complètement l'ancienne graisse avant d'appliquer la nouvelle.

### Service après-vente et conseil utilisateurs

#### Maroc

Tel. : +212 5 29 31 43 27

Vous trouverez le lien vers les conditions de garantie et les adresses du service après-vente à la dernière page.

Pour toute demande de renseignement ou toute commande de pièces de rechange, précisez impérativement la référence à 10 chiffres figurant sur l'étiquette signalétique du produit.

### Élimination des déchets

Les outils électroportatifs, ainsi que leurs accessoires et emballages, doivent pouvoir suivre chacun une voie de recyclage appropriée.



Ne jetez pas les outils électroportatifs avec les ordures ménagères !

### Valable uniquement pour la France :



FR  
Cet appareil et ses accessoires se recyclent

À DÉPOSER EN MAGASIN

À DÉPOSER EN DÉCHÈTERIE

OU

Points de collecte sur [www.quefairedemesdechets.fr](http://www.quefairedemesdechets.fr)

# Português

## Instruções de segurança

### Instruções gerais de segurança para ferramentas eléctricas

#### AVISO

Devem ser lidas todas as indicações de segurança,

instruções, ilustrações e especificações desta ferramenta eléctrica. O desrespeito das instruções apresentadas abaixo poderá resultar em choque eléctrico, incêndio e/ou ferimentos graves.

#### Guarde bem todas as advertências e instruções para futura referência.

O termo "ferramenta eléctrica" utilizado a seguir nas indicações de advertência, refere-se a ferramentas eléctricas operadas com corrente de rede (com cabo de rede) e a ferramentas eléctricas operadas com acumulador (sem cabo de rede).

#### Segurança da área de trabalho

- ▶ **Mantenha a sua área de trabalho sempre limpa e bem iluminada.** Desordem ou áreas de trabalho insuficientemente iluminadas podem levar a acidentes.
- ▶ **Não trabalhar com a ferramenta eléctrica em áreas com risco de explosão, nas quais se encontrem líquidos, gases ou pós inflamáveis.** Ferramentas eléctricas produzem faíscas, que podem inflamar pós ou vapores.
- ▶ **Manter crianças e outras pessoas afastadas da ferramenta eléctrica durante a utilização.** No caso de distração é possível que perca o controlo sobre o aparelho.

#### Segurança eléctrica

- ▶ **A ficha de conexão da ferramenta eléctrica deve caber na tomada. A ficha não deve ser modificada de maneira alguma. Não utilizar uma ficha de adaptação junto com ferramentas eléctricas protegidas por ligação à terra.** Fichas não modificadas e tomadas apropriadas reduzem o risco de um choque eléctrico.
- ▶ **Evitar que o corpo possa entrar em contacto com superfícies ligadas à terra, como tubos, aquecimentos, fogões e frigoríficos.** Há um risco elevado devido a um choque eléctrico, se o corpo estiver ligado à terra.
- ▶ **Manter o aparelho afastado de chuva ou humidade.** A infiltração de água numa ferramenta eléctrica aumenta o risco de choque eléctrico.
- ▶ **Não deverá utilizar o cabo para outras finalidades. Nunca utilizar o cabo para transportar a ferramenta eléctrica, para pendurá-la, nem para puxar a ficha da tomada. Manter o cabo afastado do calor, do óleo, de arestas afiadas ou de peças em movimento.** Cabos danificados ou emaranhados aumentam o risco de um choque eléctrico.

- ▶ **Se trabalhar com uma ferramenta eléctrica ao ar livre, só deverá utilizar cabos de extensão apropriados para áreas exteriores.** A utilização de um cabo de extensão apropriado para áreas exteriores reduz o risco de um choque eléctrico.
- ▶ **Se não for possível evitar o funcionamento da ferramenta eléctrica em áreas húmidas, deverá ser utilizado um disjuntor de corrente de avaria.** A utilização de um disjuntor de corrente de avaria reduz o risco de um choque eléctrico.

#### Segurança de pessoas

- ▶ **Esteja atento, observe o que está a fazer e tenha prudência ao trabalhar com a ferramenta eléctrica. Não utilizar uma ferramenta eléctrica quando estiver fatigado ou sob a influência de drogas, álcool ou medicamentos.** Um momento de descuido ao utilizar a ferramenta eléctrica, pode levar a lesões graves.
- ▶ **Utilizar equipamento de protecção individual. Utilizar sempre óculos de protecção.** A utilização de equipamento de protecção pessoal, como máscara de protecção contra pó, sapatos de segurança antiderrapantes, capacete de segurança ou protecção auricular, de acordo com o tipo e aplicação da ferramenta eléctrica, reduz o risco de lesões.
- ▶ **Evitar uma colocação em funcionamento involuntária. Assegure-se de que a ferramenta eléctrica esteja desligada, antes de conectá-la à alimentação de rede e/ou ao acumulador, antes de levantá-la ou de transportá-la.** Se tiver o dedo no interruptor ao transportar a ferramenta eléctrica ou se o aparelho for conectado à alimentação de rede enquanto estiver ligado, poderão ocorrer acidentes.
- ▶ **Remover ferramentas de ajuste ou chaves de boca antes de ligar a ferramenta eléctrica.** Uma ferramenta ou chave que se encontre numa parte do aparelho em movimento pode levar a lesões.
- ▶ **Evite uma posição anormal. Mantenha uma posição firme e mantenha sempre o equilíbrio.** Desta forma é mais fácil controlar a ferramenta eléctrica em situações inesperadas.
- ▶ **Usar roupa apropriada. Não usar roupa larga nem jóias. Mantenha os cabelos e roupas afastados de peças em movimento.** Roupas frouxas, cabelos longos ou jóias podem ser agarrados por peças em movimento.
- ▶ **Se for possível montar dispositivos de aspiração ou de recolha, assegure-se de que estejam conectados e utilizados correctamente.** A utilização de uma aspiração de pó pode reduzir o perigo devido ao pó.
- ▶ **Não deixe que a familiaridade resultante de uma utilização frequente de ferramentas permita que você se torne complacente e ignore os princípios de segurança da ferramenta.** Uma acção descuidada pode causar ferimentos graves numa fracção de segundo.

### Utilização e manuseio cuidadoso de ferramentas eléctricas

- ▶ **Não sobrecarregue a ferramenta eléctrica. Utilize a ferramenta eléctrica apropriada para o seu trabalho.** É melhor e mais seguro trabalhar com a ferramenta eléctrica apropriada na área de potência indicada.
- ▶ **Não utilizar uma ferramenta eléctrica com um interruptor defeituoso.** Uma ferramenta eléctrica que não pode mais ser ligada nem desligada, é perigosa e deve ser reparada.
- ▶ **Puxar a ficha da tomada e/ou remover o acumulador, se amovível, antes de executar ajustes na ferramenta eléctrica, de substituir acessórios ou de guardar as ferramentas eléctricas.** Esta medida de segurança evita o arranque involuntário da ferramenta eléctrica.
- ▶ **Guardar ferramentas eléctricas não utilizadas fora do alcance de crianças e não permitir que as pessoas que não estejam familiarizadas com o aparelho ou que não tenham lido estas instruções utilizem o aparelho.** Ferramentas eléctricas são perigosas se forem utilizadas por pessoas inexperientes.
- ▶ **Tratar a ferramenta eléctrica e os acessórios com cuidado. Controlar se as partes móveis do aparelho funcionam perfeitamente e não emperram, e se há peças quebradas ou danificadas que possam prejudicar o funcionamento da ferramenta eléctrica. Permitir que peças danificadas sejam reparadas antes da utilização.** Muitos acidentes têm como causa, a manutenção insuficiente de ferramentas eléctricas.
- ▶ **Mantém as ferramentas de corte afiadas e limpas.** Ferramentas de corte cuidadosamente tratadas e com cantos de corte afiados emperram com menos frequência e podem ser conduzidas com maior facilidade.
- ▶ **Utilizar a ferramenta eléctrica, acessórios, ferramentas de aplicação, etc. conforme estas instruções. Considerar as condições de trabalho e a tarefa a ser executada.** A utilização de ferramentas eléctricas para outras tarefas a não ser as aplicações previstas, pode levar a situações perigosas.
- ▶ **Mantenha os punhos e as superfícies de agarrar secas, limpas e livres de óleo e massa consistente.** Punhos e superfícies de agarrar escorregadias não permitem o manuseio e controle seguros da ferramenta em situações inesperadas.

### Serviço

- ▶ **Só permita que o seu aparelho seja reparado por pessoal especializado e qualificado e só com peças de reposição originais.** Desta forma é assegurado o funcionamento seguro do aparelho.

### Instruções de segurança para martelos

#### Instruções de segurança para todas as operações

- ▶ **Use protetores auditivos.** A exposição ao ruído pode provocar a perda da audição.

- ▶ **Use o(s) punho(s) auxiliar(es), caso seja(m) fornecido(s) com a ferramenta.** A perda de controlo pode resultar em ferimentos pessoais.
- ▶ **Segure a ferramenta eléctrica nas superfícies de agarrar isoladas, ao executar uma operação onde o acessório de corte possa entrar em contacto com cabos escondidos ou com o próprio cabo.** Se o acessório de corte entrar em contacto com um fio "sob tensão", as partes metálicas expostas da ferramenta eléctrica ficam "sob tensão" e podem produzir um choque eléctrico.

#### Instruções de segurança adicionais

- ▶ **Utilizar detetores apropriados, para encontrar cabos escondidos, ou consulte a companhia eléctrica local.** O contacto com cabos eléctricos pode provocar fogo e choques eléctricos. Danos em tubos de gás podem levar à explosão. A penetração num cano de água causa danos materiais ou pode provocar um choque eléctrico.
- ▶ **Espere que a ferramenta eléctrica pare completamente, antes de depositá-la.** A ferramenta de aplicação pode emperrar e levar à perda de controlo sobre a ferramenta eléctrica.
- ▶ **Fixar a peça a ser trabalhada.** Uma peça a ser trabalhada fixa com dispositivos de aperto ou com torno de bancada está mais firme do que segurada com a mão.
- ▶ **Logo a seguir à operação não toque nos acessórios ou em peças da carcaça adjacentes.** Estes podem ficar muito quentes durante a operação e causar queimaduras.
- ▶ **Tenha cuidado nos trabalhos de demolição com o cinzel.** Fragmentos do material de demolição podem ferir pessoas à volta ou a própria pessoa.
- ▶ **Durante o trabalho, segure a ferramenta eléctrica com as duas mãos e providencie uma estabilidade segura.** A ferramenta eléctrica é conduzida com maior segurança com ambas as mãos.

### Descrição do produto e do serviço



**Leia todas as instruções de segurança e instruções.** A inobservância das instruções de segurança e das instruções pode causar choque eléctrico, incêndio e/ou ferimentos graves.

Respeite as figuras na parte da frente do manual de instruções.

#### Utilização adequada

A ferramenta eléctrica é destinada para trabalhos de cinzelagem em betão, tijolo, pedra e asfalto, assim como para inserir e compactar.

#### Componentes ilustrados

A numeração dos componentes ilustrados refere-se à apresentação da ferramenta eléctrica na página de esquemas.

- (1) Capa de protecção contra pó

- (2) Bucha de travamento
- (3) Anel para ajuste do cinzel (Vario-Lock)
- (4) Tecla de fixação para o interruptor de ligar/desligar
- (5) Interruptor de ligar/desligar
- (6) Punho (superfície do punho isolada)
- (7) Punho adicional (superfície do punho isolada)

### Dados técnicos

Martelo de percussão		GSH 500
Número de produto		<b>3 611 C38 7..</b>
Potência nominal absorvida	W	1100
N.º de impactos	i.p.m.	2900
Posições do cinzel		12
Encabadouro		SDS max
Lubrificação		Lubrificação com massa
Peso <sup>A)</sup>	kg	5,7
Classe de proteção		□/II

A) Com punho adicional (7), sem cabo de alimentação  
Os dados aplicam-se a uma tensão nominal [U] de 230 V. Com tensões divergentes e em versões específicas do país, estes dados podem variar.

Os valores podem variar em função do produto e estar sujeitos a condições de aplicação e do meio ambiente. Para mais informações consulte [www.bosch-professional.com/wac](http://www.bosch-professional.com/wac).

### Informação sobre ruídos/vibrações

Os valores de emissão de ruído foram determinados de acordo com **EN IEC 62841-2-6**.

O nível sonoro avaliado como A da ferramenta elétrica é normalmente de: nível de pressão sonora **92 dB(A)**; nível de potência sonora **100 dB(A)**. Incerteza K = **3 dB**.

#### Utilizar proteção auditiva!

Valores de vibração  $a_h$  (vibrações contínuas),  $p_f$  (vibrações repetidas de impacto) e incerteza K apurados conforme **EN IEC 62841-2-6**:

Cinzelar:  $a_{h, Cheq} = 14,2 \text{ m/s}^2$  ( $K = 1,5 \text{ m/s}^2$ ),  $p_{f, Cheq} = 320 \text{ m/s}^2$  ( $K = 33 \text{ m/s}^2$ )

O nível de vibrações indicado nestas instruções e o valor de emissões sonoras foram medidos de acordo com um processo de medição normalizado e podem ser utilizados para a comparação de ferramentas elétricas. Também são adequados para uma avaliação provisória das emissões sonoras e de vibrações.

O nível de vibrações indicado e o valor de emissões sonoras representam as aplicações principais da ferramenta elétrica. Se a ferramenta elétrica for utilizada para outras aplicações, com outras ferramentas de trabalho ou com manutenção insuficiente, é possível que o nível de vibrações e de emissões sonoras seja diferente. Isto pode aumentar sensivelmente a emissão sonora e de vibrações para o período completo de trabalho.

Para uma estimativa exata da emissão sonora e de vibrações, também deveriam ser considerados os períodos nos quais o aparelho está desligado ou funciona, mas não está sendo utilizado. Isto pode reduzir a emissão sonora e de vibrações durante o completo período de trabalho.

Além disso também deverão ser estipuladas medidas de segurança para proteger o operador contra o efeito de vibrações, como por exemplo: manutenção de ferramentas elétricas e acessórios, manter as mãos quentes e organização dos processos de trabalho.

## Montagem

- ▶ **Antes de todos trabalhos na ferramenta elétrica deverá puxar a ficha de rede da tomada.**

### Punho adicional

- ▶ **Utilize a ferramenta elétrica apenas com o punho adicional (7).**

Pode oscilar o punho adicional (7) para conseguir uma posição de trabalho segura e sem esforço.

- Rode a peça do punho do punho adicional (7) para a esquerda e oscile o punho adicional (7) para a posição desejada. A seguir aperte a peça do punho do punho adicional (7) para a direita.

### Troca de ferramenta

Com o encabadouro SDS max pode trocar de forma simples e confortável o acessório sem necessidade de ferramentas adicionais.

A capa de proteção contra pó (1) impede em grande medida que penetre pó no encabadouro da ferramenta durante o funcionamento. Ao introduzir a ferramenta deverá assegurar-se de que a capa de proteção contra pó (1) não é danificada.

- ▶ **Uma capa de proteção contra pó danificada deve ser substituída imediatamente. Recomendamos que o faça no Serviço de Assistência Técnica.**

### Introduzir a ferramenta de trabalho (ver figura A)

- Limpar a extremidade de encaixe da ferramenta de trabalho e lubrificá-la levemente.
- Desloque a bucha de travamento (2) para trás e coloque o acessório rodando-o no encabadouro. Volte a soltar a bucha de travamento (2) para fixar o acessório.
- Puxar a ferramenta para controlar o travamento.

### Remover o acessório (ver figura B)

- Desloque a bucha de travamento (2) para trás e retire o acessório do encabadouro.

### Redução do pó

Evite trabalhar sem medidas de redução do pó. Consoante a aplicação, a ferramenta elétrica pode ser combinada com um acessório redutor de pó e um aspirador.

Utilize sempre proteção respiratória adequada. Observe as diretivas para os materiais a serem processados, vigentes no seu país.

**Requisitos relativos ao aspirador**

Diâmetro nominal recomendado da mangueira	mm	<b>35</b>
Vácuo necessário <sup>A)</sup>	mbar hPa	≥ <b>230</b> ≥ <b>230</b>
Taxa de fluxo necessária <sup>A)</sup>	l/s m <sup>3</sup> /h	≥ <b>36</b> ≥ <b>129,6</b>
Eficiência de filtro recomendada		Classe de pó M <sup>B)</sup>

A) Valor de potência na ligação do aspirador da ferramenta elétrica

B) Conforme IEC/EN 60335-2-69

Observe o manual do aspirador. Se a potência de aspiração diminuir, pare de trabalhar e elimine a causa.

## Funcionamento

### Colocação em funcionamento

- **Observar a tensão de rede!** A tensão da fonte de corrente elétrica deve coincidir com os dados que constam na placa de características da ferramenta elétrica.

### Ligar/desligar

- Para a **colocação em funcionamento** da ferramenta elétrica deverá pressionar o interruptor de ligar/desligar **(5)** e mantê-lo pressionado.
- Para **fixar** o interruptor de ligar/desligar **(5)** pressionado, prima o botão de fixação **(4)**.
- Para **desligar** ferramenta elétrica liberte o interruptor de ligar/desligar **(5)** ou, se este estiver bloqueado com o botão de fixação **(4)**, pressione o interruptor de ligar/desligar **(5)** brevemente e depois liberte-o.

No caso de temperaturas baixas, a ferramenta elétrica só atinge o seu poder de impacto completo após algum tempo. Pode encurtar este tempo de arranque, batendo uma vez com o acessório encaixado na ferramenta elétrica no solo.

### Alterar a posição do cinzel (Vario-Lock) (ver figura C)

Pode fixar o cinzel em **12** posições. Desta forma pode escolher a melhor posição de trabalho para si.

- Introduzir o cinzel no encabadoiro.
- Desloque o anel para ajuste do cinzel **(3)** para a frente e rode, com o anel para ajuste do cinzel **(3)**, o cinzel para a posição desejada.
- Solte o anel para ajuste do cinzel **(3)** e rode o cinzel até este engatar.

## Instruções de trabalho

### Afiar as ferramentas de cinzelar

Só com ferramentas de cinzelar afiadas é que obtém bons resultados, por isso afie as ferramentas de cinzelar atempadamente. Isto assegura uma longa duração das ferramentas e excelentes resultados de trabalho.

## Reafiar

Afie os cinzéis em discos de rebarbar, p. ex. de corindo nobre, sob um abastecimento de água uniforme. Certifique-se de que não surge uma cor de têmpera no gume; tal influencia a dureza dos cinzéis.

Para **forjar** aqueça o cinzel para 850 a 1050 °C (vermelho claro a amarelo).

Para **têmpera** aqueça o cinzel para aprox. 900 °C e passe-o por óleo. Depois deixe-o no forno aprox. uma hora a 320 °C (cor de têmpera azul clara).

## Manutenção e assistência técnica

### Manutenção e limpeza

- **Antes de todos trabalhos na ferramenta elétrica deverá puxar a ficha de rede da tomada.**
- **Manter a ferramenta elétrica e as aberturas de ventilação sempre limpas, para trabalhar bem e de forma segura.**

Se for necessário instalar um cabo de ligação, a instalação deve ser feita pela **Bosch** ou por um centro de serviço autorizado para ferramentas elétricas **Bosch**, para evitar perigos de segurança.

- **Uma capa de proteção contra pó danificada deve ser substituída imediatamente. Recomendamos que o faça no Serviço de Assistência Técnica.**

### Lubrificação da ferramenta elétrica

A ferramenta elétrica está lubrificada com massa consistente e pode ser usada de imediato.

Uma substituição da massa consistente só é necessária no âmbito de uma manutenção ou reparação pela assistência técnica autorizada para ferramentas elétricas Bosch. Neste caso, deve ser usada impreterivelmente a massa consistente prevista pela Bosch.

A cada troca das escovas de carvão é necessário trocar a massa consistente. Antes de aplicar a massa consistente novo, é necessário remover a massa consistente antiga.

## Serviço pós-venda e aconselhamento

### Brasil

Robert Bosch Ltda. – Divisão de Ferramentas Elétricas  
Rodovia Anhanguera, Km 98 – Parque Via Norte  
13065-900, CP 1195  
Campinas, São Paulo  
Tel.: 0800 7045 446  
[www.bosch.com.br/contato](http://www.bosch.com.br/contato)

Na última página encontra o link para os nossos endereços de assistência técnica e para as condições da garantia.

Indique para todas as questões e encomendas de peças sobressalentes a referência de 10 dígitos de acordo com a placa de características do produto.

## Eliminação

Ferramentas elétricas, acessórios e embalagens devem ser enviados a uma reciclagem ecológica de matérias-primas.



Não deitar ferramentas elétricas no lixo doméstico!

## 中文

### 安全规章

#### 电动工具通用安全警告

##### 警告！

阅读所有警告和所有说明！不遵照以下警告和说明会导致电

击、着火和 / 或严重伤害。

保存所有警告和说明书以备查阅。

在所有下列的警告中术语“电动工具”指市电驱动（有线）电动工具或电池驱动（无线）电动工具。

##### 工作场地的安全

- ▶ 保持工作场地清洁和明亮。混乱和黑暗的场地会引发事故。
- ▶ 不要在易爆环境，如有易燃液体、气体或粉尘的环境下操作电动工具。电动工具产生的火花会点燃粉尘或气体。
- ▶ 让儿童和旁观者离开后操作电动工具。注意力不集中会使操作者失去对工具的控制。

##### 电气安全

- ▶ 电动工具插头必须与插座相配。绝不能以任何方式改装插头。需接地的电动工具不能使用任何转换插头。未经改装的插头和相配的插座将减少电击危险。
- ▶ 避免人体接触接地表面，如管道、散热片和冰箱。如果你身体接地会增加电击危险。
- ▶ 不得将电动工具暴露在雨中或潮湿环境中。水进入电动工具将增加电击危险。
- ▶ 不得滥用电线。绝不能用电线搬运、拉动电动工具或拔出其插头。使电线远离热源、油、锐边或运动部件。受损或缠绕的软线会增加电击危险。
- ▶ 当在户外使用电动工具时，使用适合户外使用的外接软线。适合户外使用的软线将减少电击危险。
- ▶ 如果在潮湿环境下操作电动工具是不可避免的，应使用剩余电流动作保护器（RCD）。使用RCD可减小电击危险。

##### 人身安全

- ▶ 保持警觉，当操作电动工具时关注所从事的操作并保持清醒。当你感到疲倦，或在有药物、酒精或治疗反应时，不要操作电动工具。在操作电动工具时瞬间的疏忽会导致严重人身伤害。
- ▶ 使用个人防护装置。始终佩戴护目镜。安全装置，诸如适当条件下使用防尘面具、防滑安全鞋、安全帽、听力防护等装置能减少人身伤害。

- ▶ 防止意外起动。确保开关在连接电源和/或电池盒、拿起或搬运工具时处于关断位置。手指放在已接通电源的开关上或开关处于接通时插入插头可能会导致危险。
- ▶ 在电动工具接通之前，拿掉所有调节钥匙或扳手。遗留在电动工具旋转零件上的扳手或钥匙会导致人身伤害。
- ▶ 手不要伸展得太长。时刻注意立足点和身体平衡。这样在意外情况下能很好地控制电动工具。
- ▶ 着装适当。不要穿宽松衣服或佩戴饰品。让衣服、手套和头发远离运动部件。宽松衣服、佩戴或长发可能会卷入运动部件中。
- ▶ 如果提供了与排屑、集尘设备连接用的装置，要确保他们连接完好且使用得当。使用这些装置可减少尘屑引起的危险。
- ▶ 即使由于经常使用电动工具而对此非常熟悉，也不要就认为可以高枕无忧而忽略工具的安全规定。粗心大意的行为可能在瞬间就造成严重的伤害。

##### 电动工具使用和注意事项

- ▶ 不要滥用电动工具，根据用途使用适当的电动工具。选用适当设计的电动工具会使你工作更有效、更安全。
- ▶ 如果开关不能接通或关断工具电源，则不能使用该电动工具。不能用开关来控制的电动工具是危险的且必须进行修理。
- ▶ 在进行任何调节、更换附件或贮存电动工具之前，必须从电源上拔掉插头和/或使电池盒与工具脱开。这种防护性措施将减少工具意外起动的危险。
- ▶ 将闲置不用的电动工具贮存在儿童所及范围之外，并且不要让不熟悉电动工具或对这些说明不了解的人操作电动工具。电动工具在未经培训的用户手中是危险的。
- ▶ 保养电动工具。检查运动件是否调整到位或卡住，检查零件破损情况和影响电动工具运行的其他状况。如有损坏，电动工具应在使用前修理好。许多事故由维护不良的电动工具引发。
- ▶ 保持切削刀具锋利和清洁。保养良好的有锋利切削刃的刀具不易卡住而且容易控制。
- ▶ 按照使用说明，考虑作业条件和进行的作业来使用电动工具、附件和工具的刀头等。将电动工具用于那些与其用途不符的操作可能会导致危险。
- ▶ 保持手柄和握持表面干燥、清洁、无油污。在突发情况下，滑溜的手柄和握持表面无法确保安全地握持和控制工具。

##### 维修

- ▶ 将你的电动工具送交专业维修人员，使用同样的备件进行修理。这样将确保所维修的电动工具的安全性。

##### 电锤安全规章

- ▶ 戴好耳罩。暴露在噪声中会引起听力损伤。
- ▶ 使用随工具提供的辅助手柄。操作失手会引起人身伤害。

- ▶ 在切削附件可能触及暗线或其自身软线之处进行操作时，要通过绝缘握持面来握持工具。切削附件碰到带电导线会使工具外露的金属零件带电从而使操作者受到电击。

#### 其他安全规章

- ▶ 使用合适的侦测装置侦察隐藏的电线，或者向当地的相关单位寻求支援。接触电线可能引起火灾并让操作者触电。损坏了瓦斯管会引起爆炸。凿穿水管不仅会造成严重的财物损失，也可能导致触电。
- ▶ 等待电动工具完全静止后才能够放下机器。机器上的工具可能在工作中被夹住，而令您无法控制电动工具。
- ▶ 固定好工件。使用固定装置或老虎钳固定工件，会比用手握工件更牢固。
- ▶ 切勿直接触摸运行后的工具刀头或相邻的壳体部件。它们可能在运行期间变得很热，从而导致起火燃烧。
- ▶ 使用齿头进行破碎工作时请务必小心。从破碎材料上掉落的碎屑可能会伤到周围人员或您自己。
- ▶ 工作时要使用双手握紧电动工具并确保站稳。使用双手才能够稳定地操作电动工具。

## 产品和性能说明



请阅读所有安全规章和指示。不遵照以下警告和说明可能导致电击、着火和/或严重伤害。

请注意本使用说明书开头部分的图示。

#### 按照规定使用

本电动工具适合在混凝土、砖头、石材和沥青上凿削，安装合适的附件后，也可以进行挤压和捣实作业。

#### 插图上的机件

机件的编号和电动工具详解图上的编号一致。

- (1) 防尘盖
- (2) 锁定套筒
- (3) 齿头调节环 (Vario-Lock)
- (4) 电源开关的锁定按钮
- (5) 电源开关
- (6) 手柄 (绝缘握柄)
- (7) 辅助手柄 (绝缘握柄)

#### 技术数据

电锤		GSH 500
物品代码		3 611 C38 7..
额定输入功率	瓦	1100
冲击次数	转/分钟	2900
齿头位置		12
工具夹头		SDS max
润滑		油脂润滑

电锤		GSH 500
重量 <sup>A)</sup>	公斤	5.7
保护等级		□/II

A) 含辅助手柄(7)，不含电源线

所有参数适用于230伏的额定电压[U]，对于其他不同的电压和国际规格，数据有可能不同。

数值可能因不同产品而异，并且受到应用和环境条件影响。更多信息请参见www.bosch-professional.com/wac。

## 安装

- ▶ 在电动工具上进行所有操作之前都必须从插座上拔出电源插头。

#### 辅助手柄

- ▶ 操作电动工具时务必使用辅助手柄(7)。

可以任意翻动辅助手柄(7)，以便在工作时毫无疲劳地牢牢抓紧。

- 逆时针旋转辅助手柄(7)的下半部，并将辅助手柄(7)转到需要的位置。然后顺时针重新拧紧辅助手柄(7)的下半部。

#### 更换工具

使用SDS max工具夹头，能够简便地更换工具刀头，无需借助其它的工具。

防尘盖(1)可在很大程度上防止工作时灰尘进入工具夹头中。插入工具时请注意不要损坏防尘盖(1)。

- ▶ 必须立即更换损坏的防尘盖。最好委托本公司的顾客服务处换装。

#### 安装工具刀头 (见图片A)

- 清洁工具柄并在柄上塗少许润滑脂。
- 向后推动锁定套筒(2)并将工具刀头旋入工具夹头。再次松开锁定套筒(2)，以便锁住工具刀头。
- 抽拉工具以确定它是否正确锁紧了。

#### 取下工具刀头 (见图片B)

- 向后推动锁定套筒(2)，取下工具刀头。

#### 减尘

在没有采取减尘措施的情况下避免作业。电动工具可以根据使用目的通过减尘附件与集尘器搭配使用。

原则上要使用合适的呼吸面罩。请留心并遵守贵国和加工物料有关的法规。

#### 对吸尘器的要求

推荐的软管额定直径	毫米	35
所需的负压 <sup>A)</sup>	毫巴	≥ 230
	百帕	≥ 230
所需的流量 <sup>A)</sup>	升/秒	≥ 36
	立方米/小时	≥ 129.6
所推荐的过滤效率		M级粉尘 <sup>B)</sup>

A) 电动工具吸尘器接口上的功率值

B) 符合IEC/EN 60335-2-69

注意吸尘器的说明书。抽吸功率降低时请中断作业，然后排查原因。

## 操作

### 操作机器

► **注意电源电压！** 电源的电压必须和电动工具铭牌上标示的电压一致。

#### 启动/关闭

- 按压起停开关(5)来调试电动工具并按住。
- 按压锁定键(4)来锁定被按住的起停开关(5)。
- 如需关闭电动工具，请松开起停开关(5)，如果其已被锁定键(4)锁住，请短促按压起停开关(5)，然后再松开。

温度低时，电动工具在工作一定时间后才能达到全部冲击功率。将安装在电动工具上的工具刀头轻撞地面，可缩短起动时间。

#### 改变凿削位置 (Vario-Lock) (参见插图C)

您可以将凿头锁定在12位置。如此可确保最佳的工作姿势。

- 把凿头装入工具夹头中。
- 将凿头调节环(3)向前推，然后通过凿头调节环(3)将凿头旋入所需位置。
- 松开凿头调节环(3)，转动凿头直至其卡止。

### 工作提示

#### 磨利凿具

使用锋利的凿具才能够达到好的工作效果，务必及时研磨凿具，如此才能够延长凿具的使用寿命，加强工作效果。

#### 重磨

在磨片（例如白刚玉）上研磨凿具，并使用均匀的水流冲刷。注意，刀刃上不可以出现回火色；如此会影响凿具的硬度。

锻造时，将凿子加热至850至1050 摄氏度（浅红色至黄色）。

硬化时，将凿子加热至约900 摄氏度，然后浸入油中淬火。接着将其放到320 摄氏度的烤箱中约一小时（浅蓝色回火色）。

## 维修和服务

### 维修和清洁

- 在电动工具上进行所有操作之前都必须从插座上拔出电源插头。
- 电动工具和通气孔必须随时保持清洁，以确保工作效率和工作安全。

如果必须更换连接线，务必把这项工作交给Bosch或者经授权的Bosch电动工具顾客服务执行，以避免危害机器的安全性能。

- 必须立即更换损坏的防尘盖。最好委托本公司的顾客服务处换装。

### 润滑电动工具

电动工具已用油脂润滑，可立即使用。

更换润滑油脂只能在维护或修理机器时进行，而且必须交给经过授权的博世电动工具顾客服务中心执行。只能使用针对本机器的博世润滑油脂。

每次更换碳刷时都要求更换润滑油脂。涂敷新的润滑油脂前，必须清除旧的润滑油脂。

### 客户服务和应用咨询

#### 中国大陆

电话：400 826 8484-3-2

#### 制造商地址：

Robert Bosch Power Tools GmbH

罗伯特·博世电动工具有限公司

70538 Stuttgart / GERMANY

70538 斯图加特 / 德国

关于服务地址和保修条件的链接请查看最后一页。

询问和订购备件时，务必提供机器铭牌上标示的10位数物品代码。

### 处理废弃物

必须符合环保要求的方式回收再利用电动工具、附件和包装材料。



不可以把电动工具丢入家庭垃圾中！

## 繁體中文

## 安全注意事項

### 電動工具一般安全注意事項

#### 警告

請詳讀工作臺及電動工具的所有安全警告與使用說明。若不遵照以下列出的指示，將可能導致電擊、著火和/或人員重傷。

保存所有警告和說明書以備查閱。

在所有警告中，「電動工具」此一名詞泛指：以市電驅動的（有線）電動工具或是以電池驅動的（無線）電動工具。

#### 工作場地的安全

- 保持工作場地清潔和明亮。混亂和黑暗的場地會引發事故。
- 不要在易爆環境，如有易燃液體、氣體或粉塵的環境下操作電動工具。電動工具產生的火花會點燃粉塵或氣體。
- 讓兒童和旁觀者離開後操作電動工具。注意力不集中會使您失去對工具的控制。

### 電氣安全

- ▶ **電動工具插頭必須與插座相配。絕不能以任何方式改裝插頭。需接地的電動工具不能使用任何轉換插頭。未經改裝的插頭和相配的插座將減少電擊危險。**
- ▶ **避免人體接觸接地表面，如管道、散熱片和冰箱。如果您身體接地會增加電擊危險。**
- ▶ **不得將電動工具暴露在雨中或潮濕環境中。水進入電動工具將增加電擊危險。**
- ▶ **不得濫用電線。絕不能用電線搬運、拉動電動工具或拔出其插頭。使電線遠離熱源、油、銳利邊緣或移動零件。受損或纏繞的軟線會增加電擊危險。**
- ▶ **當在戶外使用電動工具時，使用適合戶外使用的延長線。適合戶外使用的軟線，將減少電擊危險。**
- ▶ **如果在潮濕環境下操作電動工具是不可避免的，應使用剩餘電流動作保護器（RCD）。使用RCD可降低電擊危險。**

### 人身安全

- ▶ **保持警覺，當操作電動工具時關注所從事的操作並保持清醒。當您感到疲倦，或在有藥物、酒精或治療反應時，不要操作電動工具。在操作電動工具時瞬間的疏忽會導致嚴重人身傷害。**
- ▶ **使用個人防護裝置。始終佩戴護目鏡。安全裝置，諸如適當條件下使用防塵面具、防滑安全鞋、安全帽、聽力防護等裝置能減少人身傷害。**
- ▶ **防止意外起動。確保開關在連接電源和 / 或電池盒、拿起或搬運工具時處於關閉位置。手指放在已接通電源的開關上或開關處於接通時插入插頭可能會導致危險。**
- ▶ **在電動工具接通之前，拿掉所有調節鑰匙或扳手。遺留在電動工具旋轉零件上的扳手或鑰匙會導致人身傷害。**
- ▶ **手不要伸展得太長。時刻注意立足點和身體平衡。這樣在意外情況下能很好地控制電動工具。**
- ▶ **著裝適當。不要穿寬鬆衣服或佩戴飾品。讓您的衣物及頭髮遠離運動部件。寬鬆衣服、佩飾或長髮可能會捲入運動部件中。**
- ▶ **如果提供了與排屑、集塵設備連接用的裝置，要確保他們連接完好且使用得當。使用這些裝置可減少塵屑引起的危險。**
- ▶ **切勿因經常使用工具所累積的熟練感而過度自信，輕忽工具的安全守則。任何一個魯莽的舉動都可能瞬間造成人員重傷。**

### 電動工具使用和注意事項

- ▶ **不要濫用電動工具，根據用途使用適當的電動工具。選用適當設計的電動工具會使您工作更有效、更安全。**
- ▶ **如果開關不能開啟或關閉工具電源，則不能使用該電動工具。不能用開關來控制的電動工具是危險的且必須進行修理。**
- ▶ **在進行任何調整、更換配件或貯存電動工具之前，必須從電源上拔掉插頭並 / 或取出電池盒。這種防護性措施將減少工具意外起動的危險。**

- ▶ **將閒置不用的電動工具貯存在兒童所及範圍之外，並且不要讓不熟悉電動工具或對這些說明不瞭解的人操作電動工具。電動工具在未經培訓的用戶手中是危險的。**
- ▶ **保養電動工具與配備。檢查運動件是否調整到位或卡住，檢查零件破損情況和影響電動工具運行的其他狀況。如有損壞，電動工具應在使用前修理好。許多事故由維護不良的電動工具引發。**
- ▶ **保持切削刀具鋒利和清潔。保養良好的有鋒利切削刃的刀具不易卡住而且容易控制。**
- ▶ **按照使用說明書，考慮作業條件和進行的作業來使用電動工具、配件和工具的刀頭等。將電動工具用於那些與其用途不符的操作可能會導致危險。**
- ▶ **把手及握持區應保持乾燥、潔淨，且不得沾染任何油液或油脂。易滑脫的把手及握持區將無法讓您在發生意外狀況時安全地抓緊並控制工具。**

### 檢修

- ▶ **將您的電動工具送交專業維修人員，必須使用同樣的備件進行更換。這樣將確保所維修的電動工具的安全性。**

### 電錘的安全注意事項

#### 所有作業的安全說明

- ▶ **請戴上耳罩。暴露在噪音下會造成聽力喪失。**
- ▶ **請使用工具的輔助把手（若有配備）。失去控制可能會造成人員受傷。**
- ▶ **進行作業時，負責進行切割的配件可能會碰到隱藏的配線或電動工具的電線，請從絕緣處握住處拿持電動工具。負責進行切割的配件若是觸及「導電」電線，可能導致電動工具外露的金屬部件「導電」，進而使操作人員遭受電擊。**

#### 其他安全注意事項

- ▶ **使用合適的偵測裝置偵察隱藏的電線，或者向當地的相關單位尋求支援。接觸電線可能引起火災並讓操作者觸電。若損壞瓦斯管會引起爆炸。鑿穿水管不僅會造成嚴重的財物損失，也可能導致觸電。**
- ▶ **必須等待電動工具完全靜止後才能將它放下。嵌件工具可能卡住而使電動工具失控。**
- ▶ **固定好工件。使用固定裝置或老虎鉗固定工件，會比用手持握工件更牢固。**
- ▶ **操作後不久不要接觸任何嵌件工具或鄰近的外殼部件。這些在操作過程中會變得非常灼熱並導致燙傷。**
- ▶ **使用鑿子進行拆除工作時請小心。拆除材料的掉落碎片可能會傷害旁人或您自己。**
- ▶ **作業期間請用雙手牢牢握緊電動工具並保持穩固。使用雙手才能夠更穩定地操作電動工具。**

### 產品和功率描述



請詳讀所有安全注意事項和指示。如未遵守安全注意事項與指示，可能導致火災、人員遭受電擊及 / 或重傷。

請留意操作說明書中最前面的圖示。

## 依規定使用機器

本機器適合在混凝土、磚頭、石材和瀝青上進行挖鑿。搭配合適的配件後，也可以用來進行擠壓和搗實作業。

## 插圖上的機件

機件的編號和電動工具詳解圖上的編號一致。

- (1) 防塵蓋
- (2) 鎖定套筒
- (3) 鑿頭位置設定環 (Vario-Lock)
- (4) 起停開關鎖止按鈕
- (5) 起停開關
- (6) 把手 (絕緣握柄)
- (7) 輔助手柄 (絕緣握柄)

## 技術性數據

鎚鑽		GSH 500
產品機號		3 611 C38 7..
額定輸入功率	W	1100
衝擊次數	min <sup>-1</sup>	2900
鑿頭位置		12
工具夾座		SDS max
潤滑		油脂潤滑
重量 <sup>A)</sup>	kg	5.7
絕緣等級		□/II

A) 含輔助手柄 (7)，不含電源線

本說明書提供的參數是以 230V 為依據，於低電壓地區，此數據有可能不同。

數值可能因產品而異，並受使用條件以及環境條件影響。進一步資訊請見 [www.bosch-professional.com/wac](http://www.bosch-professional.com/wac)。

## 安裝

- ▶ 維修電動工具或換裝零、配件之前，務必從插座上拔出插頭。

### 輔助手柄

- ▶ 操作電動工具時務必使用輔助手柄(7)。

輔助手柄 (7) 可隨意翻轉，以便採取一個穩固而不容易感到疲勞的工作姿勢。

- 逆時針旋轉輔助手柄 (7) 的下方握把處，以便將輔助手柄 (7) 轉至所需位置。然後順時針旋轉輔助手柄 (7) 的下方握把處，即可將它重新鎖緊。

### 更換工具

使用 SDS max 工具夾頭，能夠簡便地更換嵌件工具，無需借助其它輔助工具。

防塵蓋 (1) 可防止操作時所產生的大部份粉塵侵入工具夾頭。安裝工具時要小心，請勿損壞防塵蓋 (1)。

- ▶ 防塵蓋若有受損，應立即更換。最好委托本公司的顧客服務處換裝。

### 安裝嵌件工具 (請參考圖 A)

- 清潔嵌件工具的插入端並且塗少許潤滑油脂。
- 將鎖定套筒 (2) 往後推，然後將嵌件工具轉進刀具承座中。放開鎖定套筒 (2) 即可固定住嵌件工具的位置。
- 拉動工具以確認它是否已正確鎖緊。

### 取出嵌件工具 (請參考圖 B)

- 將鎖定套筒 (2) 往後推，接著便可將嵌件工具取出。

## 減少粉塵

避免在未採取減塵措施的情況下進行工作。根據用途，本電動工具可搭配減塵配件與吸塵器結合使用。

原則上，請使用適合的呼吸防護裝置。請留意並遵守貴國與加工物料有關的法規。

### 對吸塵器之要求

建議軟管額定直徑	mm	35
所需負壓 <sup>A)</sup>	mbar	≥ 230
	hPa	≥ 230
所需流量 <sup>A)</sup>	l/s	≥ 36
	m <sup>3</sup> /h	≥ 129.6
建議過濾效率		粉塵等級 M <sup>B)</sup>

A) 電動工具的吸塵器連接頭功率值

B) 符合 IEC/EN 60335-2-69

請遵循吸塵器說明書。如果吸塵力下降，請停止工作並排除原因。

## 操作

### 操作機器

- ▶ 注意電源的電壓！電源的電壓必須和電動工具銘牌上標示的電壓一致。

### 啟動 / 關閉

- 按下電源開關 (5) 不要放開，即可讓電動工具持續運轉。
- 若要讓電源開關 (5) 保持在壓下狀態，請按壓鎖定鍵 (4)。
- 若要關閉電動工具，請直接放開電源開關 (5) 即可，或者您若有使用鎖止按鈕 (4)，則請在電源開關 (5) 上短按一下後放開。

溫度較低時，電動工具需要經過一段時間，衝擊性能才會達到最大功率。把安裝在電動工具上的嵌件工具輕撞地面，可縮短暖機的起動時間。

### 改變鑿頭位置 (Vario-Lock) (請參考圖 C)

- 鑿頭可固定在 12 個不同的位置上。藉此，您可採取最佳的工作姿勢。
- 把鑿頭插進工具夾座中。
- 將鑿頭位置設定環 (3) 往前推，然後利用鑿頭位置設定環 (3) 將鑿頭旋轉至所需位置。

- 放開鑿頭位置設定環 (3) 並將鑿頭旋轉至卡緊為止。

## 作業注意事項

### 磨利鑿具

使用鋒利的鑿具才能達到良好的加工效果，請務必及時研磨鑿具，如此才能夠延長鑿具的使用壽命，並確保加工效果良好。

### 重新打磨

在砂輪片（例如白剛玉）上研磨鑿具，並使用均勻的水流沖刷。注意，刀刃上不可以出現回火色；如此會影響鑿具的硬度。

進行鍛造加工時，請將鑿刀加熱至 850 至 1050 °C（呈現淺紅色至黃色）。

進行淬硬處理時，請將鑿刀加熱至 900 °C 左右並將它放進油液中淬火。接著再將它放入火爐內以 320 °C 退火一小時（回火至淺藍色）。

## 維修和服務

### 維修和清潔

- ▶ 維修電動工具或換裝零、配件之前，務必從插座上拔出插頭。

- ▶ 電動工具和通風口都必須保持清潔，這樣才能夠提高工作品質和安全性。

如果必須更換連接線，請務必交由 **Bosch** 或者經授權的 **Bosch** 電動工具顧客服務執行，以避免危害機器的安全性。

- ▶ 防塵蓋若有受損，應立即更換。最好委託本公司的顧客服務處換裝。

### 潤滑電動工具

本電動工具出貨時已上油潤滑，可立即使用。

只能在維護或修理機器時更換潤滑油脂，而且此項工作必須交由經過授權的博世電動工具顧客服務中心執行。只能使用指定的博世潤滑油脂。

每次更換碳刷時，應同時換上新的潤滑油脂。必須先將舊的潤滑油脂擦掉，再塗上新的。

### 顧客服務處和顧客諮詢中心

#### 台灣進口商

電話: (02) 7734 2588

#### 製造商地址:

Robert Bosch Power Tools GmbH

羅伯特·博世電動工具有限公司

70538 Stuttgart / GERMANY

70538 斯圖加特/德國

我們的服務地址和保固條件連結可在最後一頁找到。

當您需要諮詢或訂購備用零件時，請務必提供本產品型號銘牌上 10 位數的產品機號。

### 廢棄物處理

必須以符合環保的方式，回收再利用損壞的機器、配件和廢棄的包裝材料。



不可以把電動工具丟入家庭垃圾中。

## ไทย

### กฎระเบียบเพื่อความปลอดภัย

#### คำเตือนเพื่อความปลอดภัยทั่วไปสำหรับเครื่องมือไฟฟ้า

- ▶ คำเตือน อ่านคำเตือนเพื่อความปลอดภัย และคำแนะนำ ภาพประกอบ และข้อมูล

จำเพาะทั้งหมดที่จัดส่งมาพร้อมกับเครื่องมือไฟฟ้า

การไม่ปฏิบัติตามคำแนะนำทั้งหมดที่ระบุไว้ด้านบน

อาจก่อให้เกิดอันตรายจากไฟฟ้าช็อต ไฟไหม้ และ/หรือได้รับบาดเจ็บอย่างร้ายแรง

เก็บรักษาคำเตือนและคำสั่งทั้งหมดสำหรับเปิดอ่านในภายหลัง

คำว่า "เครื่องมือไฟฟ้า" ในคำเตือนหมายถึง เครื่องมือไฟฟ้าของช่างที่ทำงานด้วยพลังงานไฟฟ้าจากแหล่งจ่ายไฟหลัก (มีสายไฟฟ้า) และเครื่องมือไฟฟ้าที่ทำงานด้วยพลังงานไฟฟ้าจากแบตเตอรี่ (ไร้สาย)

#### ความปลอดภัยในสถานที่ทำงาน

- ▶ รักษาสถานที่ทำงานให้สะอาดและมีไฟส่องสว่างดี สถานที่ที่มีมืดหรือการรบกวนซึ่งอาจบดบังทัศนวิสัย
- ▶ อย่าใช้เครื่องมือไฟฟ้าทำงานในสภาพบรรยากาศที่จุดติดไฟได้ เช่น ในที่ที่มีของเหลวไวไฟ ก๊าซ หรือฝุ่น เมื่อใช้เครื่องมือไฟฟ้าจะเกิดประกายไฟซึ่งอาจจุดฝุ่นหรือไอให้ลุกเป็นไฟได้
- ▶ ขณะใช้เครื่องมือไฟฟ้าทำงาน ต้องกั้นเด็กและผู้ยืนดูให้ออกห่าง การหันเหความสนใจอาจทำให้ท่านขาดการควบคุมเครื่องมือ

#### ความปลอดภัยเกี่ยวกับไฟฟ้า

- ▶ ปลั๊กของเครื่องมือไฟฟ้าต้องเหมาะสมพอดีกับเต้าเสียบ อย่าตัดแปลงปลั๊กไม่ว่าในลักษณะใดๆ อย่างเด็ดขาด อย่าใช้ปลั๊กพ่วงต่อใดๆ กับเครื่องมือไฟฟ้าที่มีสายดิน ปลั๊กที่ไม่ตัดแปลงและเต้าเสียบที่เข้ากันช่วยลดความเสี่ยงจากการถูกไฟฟ้าช็อต
- ▶ หลีกเลี่ยงอย่าให้ร่างกายสัมผัสกับพื้นผิวที่ต่อสายดินหรือลงกราวด์ไว เช่น ท่อ เครื่องทำความร้อน เตา และตู้เย็น จะเสี่ยงอันตรายจากการถูกไฟฟ้าช็อตมากขึ้นหากกระแสไฟฟ้าวิ่งผ่านร่างกายของท่านลงดิน
- ▶ อย่าให้เครื่องมือไฟฟ้าถูกฝนหรืออยู่ในสภาพเปียกชื้น หากน้ำเข้าในเครื่องมือไฟฟ้า จะเพิ่มความเสี่ยงจากการถูกไฟฟ้าช็อต

- ▶ อย่าใช้สายไฟฟ้าในทางที่ผิด อย่าใช้สายไฟฟ้าเพื่อยก ดึง หรือถอดปลั๊กเครื่องมือไฟฟ้า กันสายไฟฟ้าออกจาก ความร้อน น้ำมัน ขอบแหลมคม หรือชิ้นส่วนที่เคลื่อนที่ สายไฟฟ้าที่ชำรุดหรือพันกันยุ่งเพิ่มความเสี่ยงจากการ ถูกไฟฟ้าดูด
- ▶ เมื่อใช้เครื่องมือไฟฟ้าทำงานกลางแจ้ง ให้ใช้สายไฟต่อที่ เหมาะสำหรับการใช้งานกลางแจ้ง การใช้สาย ไฟต่อที่เหมาะสมสำหรับงานกลางแจ้ง ช่วยลดอันตรายจากการถูกไฟฟ้าดูด
- ▶ หากไม่สามารถหลีกเลี่ยงการใช้เครื่องมือไฟฟ้าทำงานใน สถานที่ที่เปียกชื้นได้ ให้ใช้วิธีที่ตัดวงจรเมื่อเกิดการรั่ว โหลดของไฟฟ้าจากสายดิน (RCD) การใช้สวิทซ์ตัดวงจรเมื่อเกิดการรั่ว โหลดของไฟฟ้าจากสายดินช่วยลดความเสี่ยงต่อการถูกไฟฟ้าดูด

#### ความปลอดภัยของบุคคล

- ▶ ท่านต้องอยู่ในสภาพเตรียมพร้อม ระมัดระวังในสิ่งที่ท่าน กำลังทำอยู่ และมีสติขณะใช้เครื่องมือไฟฟ้าทำงาน อย่าใช้ เครื่องมือไฟฟ้าขณะที่ท่านกำลังเหนื่อย หรืออยู่ภายใต้การ ครอบงำของฤทธิ์ของยาเสพติด แอลกอฮอล์ และยา เมื่อใช้เครื่องมือไฟฟ้าทำงาน ในขั้นตอนที่ท่านขาดความเอาใจใส่อาจทำให้บุคคลบาดเจ็บอย่างรุนแรงได้
- ▶ ใช้อุปกรณ์ปกป้องร่างกาย สวมแว่นตาป้องกันเสมอ อุปกรณ์ปกป้อง เช่น หนวดกากันฝุ่น รองเท้านกอินทรี หมวก แข็ง หรือประคบหูกันเสียงดังที่ใช้ตามความเหมาะสมกับ สภาพการทำงาน จะลดการบาดเจ็บทางร่างกาย
- ▶ ป้องกันการติดเครื่องโดยไม่ตั้งใจ ตรวจสอบให้แน่ใจว่าสวิทซ์อยู่ ในตำแหน่งปิดก่อนเชื่อมต่อนำเข้ากับแหล่งจ่ายไฟ และ/หรือแบตเตอรี่แพ็ค ยกหรือถือเครื่องมือ การ ถือเครื่องโดยใช้นิ้วหัวที่สวิทซ์ หรือเสียบปลั๊กไฟขณะสวิตซ์เปิดอยู่ อาจนำไปสู่อุบัติเหตุที่ร้ายแรงได้
- ▶ นำเครื่องมือปรับแต่งหรือประแจปากตายออกก่อนเปิดสวิทซ์ เครื่องมือไฟฟ้า เครื่องมือหรือประแจปาก ตายที่วางอยู่กับส่วนของเครื่องที่กำลังหมุนจะทำให้บุคคลบาดเจ็บได้
- ▶ อย่าเอื้อมไกลเกินไป ตั้งทำยี่นที่มั่นคงและวางน้ำหนักให้ สมดุลตลอดเวลา ในลักษณะนี้ท่านสามารถควบคุมเครื่องมือไฟฟ้าในสถานการณ์ที่ไม่คาดคิดได้ดีกว่า
- ▶ แต่งกายอย่างเหมาะสม อย่าใส่เสื้อผ้าหลวมหรือสวม เครื่องประดับ เข็มและเสื้อผ้าวางจากชิ้นส่วนที่ เคลื่อนที่ เสื้อผ้าหลวม เครื่องประดับ และผม ยาวอาจเข้าไปติดในชิ้นส่วนที่เคลื่อนที่
- ▶ หากเครื่องมือไฟฟ้ามีข้อเชื่อมต่อกับเครื่องดูดฝุ่นหรือเครื่อง ฝุ่นช่วยให้ตรวจสอบให้แน่ใจว่าได้เชื่อมต่อและใช้งาน อย่างถูกต้อง การใช้ข้ออุปกรณ์ดูด ฝุ่นช่วยลดอันตรายที่เกิดจากฝุ่นได้
- ▶ เมื่อใช้งานเครื่องมือยกรถจะเกิดความคุ้นเคย อย่านำความ คุ้นเคยที่ท่านทำให้เกิดความระมัดระวังและละเลยกฎเกณฑ์ตาม ความปลอดภัยในการใช้งานเครื่อง การทำงานอย่างไม่ระมัดระวังอาจทำให้เกิดการบาดเจ็บอย่างร้าย แรงภายในเสี้ยววินาที

#### การใช้และการดูแลรักษาเครื่องมือไฟฟ้า

- ▶ อย่างสิ้นกำลังเครื่องมือไฟฟ้า ใช้เครื่องมือไฟฟ้าที่ถูกต้อง ตรงตามลักษณะงานของท่าน เครื่องมือไฟฟ้าที่ถูก ต้องจะทำงานได้ดี กว่าและปลอดภัยกว่าในระดับสมรรถภาพที่ออกแบบไว้
- ▶ อย่าใช้เครื่องมือไฟฟ้าถ้าสวิทซ์ไม่สามารถเปิดปิดได้ เครื่อง มือไฟฟ้าที่ไม่สามารถควบคุมการเปิดปิดด้วยสวิทซ์ได้ เป็นเครื่องมือไฟฟ้าที่ไม่ปลอดภัยและต้องส่งซ่อมแซม
- ▶ ก่อนปรับแต่งเครื่อง เปลี่ยนอุปกรณ์ประกอบ หรือเก็บ เครื่องเข่าที่ ต้องถอดปลั๊กออกจากแหล่งจ่ายไฟ และ/หรือ ถอดแบตเตอรี่เพื่อความปลอดภัยจากเครื่องมือไฟฟ้าหากถอดออก ได้ มาตรการป้องกันเพื่อความปลอดภัยนี้ช่วยลดความ เสี่ยงจากการติดเครื่องโดยไม่ตั้งใจ
- ▶ เมื่อเลิกใช้งานเครื่องมือไฟฟ้า ให้เก็บเครื่องมือไว้ในที่ที่เด็ก หยิบไม่ถึง และไมอนุญาตให้บุคคลที่ไม่คุ้นเคยกับเครื่อง หรือบุคคลที่ไม่ได้อ่านคำแนะนำนำเหล่านี้ใช้เครื่อง เครื่อง มือไฟฟ้าเป็นของอันตรายหากตกอยู่ในมือของผู้ ไซท์ที่ไม่ได้รับการฝึกฝน
- ▶ บำรุงรักษาเครื่องมือไฟฟ้าและอุปกรณ์ประกอบ ตรวจสอบ ชิ้นส่วนที่เคลื่อนที่วาวางไม่ตรงแนวหรือติดขัดหรือไม่ ตรวจสอบการแตกหักของชิ้นส่วนและสภาพอินโดที่อาจมีผล ต่อการทำงานของเครื่องมือไฟฟ้า หากชำรุดต้องส่งเครื่อง มือไฟฟ้าไปซ่อมแซมก่อนใช้งาน อุบัติเหตุหลายอย่างเกิด ขึ้นเนื่องจากดูแลรักษาเครื่องมือไม่ดีพอ
- ▶ รักษาเครื่องมือตัดไหมและสะอาด หากบำรุงรักษาเครื่อง มือที่มีขอบตัดไหมคมคมอย่างถูกต้อง จะสามารถตัดได้สั้นไม่ติดขัดและควบคุมได้ง่ายกว่า
- ▶ ใช้เครื่องมือไฟฟ้า อุปกรณ์ประกอบ เครื่องมือ และอุปกรณ์ อื่นๆ ตรงตามคำแนะนำนำเหล่านี้ โดยคำนึงถึงเงื่อนไขการ ทำงานและงานที่จะทำ การใช้เครื่องมือ ไฟฟ้าทำงานที่ต่างไปจากวัตถุประสงค์ประสงค์การ ใช้งานของเครื่อง อาจนำไปสู่สถานการณ์ที่เป็นอันตรายได้
- ▶ ดูแลตามจับและพื้นผิวจับให้แห้ง สะอาด และปราศจาก คราบไขมันและจาระบี ตามจับและพื้นผิว จับที่ลื่นทำให้หยิบจับได้ไม่ปลอดภัย และไม่สามารถควบคุมเครื่องมือในสถานการณ์ที่ไม่คาดคิด

#### การบริการ

- ▶ ส่งเครื่องมือไฟฟ้าของท่านเข้ารับบริการจากช่างซ่อมที่มี คุณสมบัติเหมาะสม โดยวิธีที่เหมือนกันเท่านั้น ในลักษณะนี้ท่านจะแน่ใจได้ว่าเครื่องมือ ไฟฟ้าอยู่ในสภาพที่ปลอดภัย

#### คำเตือนเพื่อความปลอดภัยสำหรับค้อน

##### คำเตือนเพื่อความปลอดภัยสำหรับการทำงานทั้งหมด

- ▶ สวมประคบหูป้องกันเสียงดัง การรับฟังเสียงดังอาจทำให้ สูญเสียการได้ยิน
- ▶ ใช้ตามจับเพิ่มหากจัดส่งมาพร้อมกับเครื่องการสูญเสียการ ควบคุมอาจทำให้บุคคลได้รับบาดเจ็บ
- ▶ เมื่อทำงานในบริเวณที่เครื่องมือตัดอาจสัมผัสสายไฟฟ้าที่ ชนวนอยู่หรือสายไฟฟ้าของตัวเอง ต้องจับเครื่องมือ ไฟฟ้าตรงพื้นผิวจับที่หมุนวน หากเครื่องมือตัดสัมผัสสายที่ "มีกระแสไฟฟ้า" ไหลผ่าน จะทำให้ชิ้นส่วนโลหะที่ไม่ได้หุ้ม

ฉนวนของเครื่องมือไฟฟ้าเกิด “มีกระแสไฟฟ้า” ด้วย และส่งผลให้ใช้งานเครื่องถูกไฟฟ้าดูดได้

#### คำแนะนำเพื่อความปลอดภัยเพิ่มเติม

- ▶ ใช้เครื่องตรวจจับที่เหมาะสมเพื่อตรวจสอบสายไฟฟ้าหรือท่อสาธารณูปโภคที่อาจซ่อนอยู่ในบริเวณทำงาน หรือติดตั้งบริษัทสาธารณูปโภคในพื้นที่เพื่อขอความช่วยเหลือ การสัมผัสกับสายไฟฟ้าอาจทำให้เกิดไฟไหม้หรือถูกไฟฟ้าดูด การทำให้ท่อแก๊สเสียหายอาจทำให้เกิดระเบิด การเจาะเข้าไปในท่อน้ำทำให้ทรัพย์สินเสียหาย หรืออาจเป็นเหตุให้ถูกไฟฟ้าดูดได้
- ▶ รอให้เครื่องมือไฟฟ้าหยุดสนิทก่อนวางเครื่องลงบนพื้น เครื่องมือที่ใส่อยู่อาจติดขัดและทำให้สูญเสียการควบคุมเครื่องมือไฟฟ้า
- ▶ ยึดชิ้นงานให้แน่น การยึดชิ้นงานด้วยเครื่องหนีบหรือแทนจับจะมั่นคงกว่าการยึดด้วยมือ
- ▶ ห้ามสัมผัสเครื่องมือหรือชิ้นส่วนใดๆ ที่อยู่ติดกันหลังเสร็จสิ้นการใช้งานแล้ว ไม่นาน ชิ้นส่วนเหล่านี้อาจร้อนจัดระหว่างการทำงานและทำให้เกิดแผลไหม้ได้
- ▶ ให้ความระมัดระวังในขณะที่ถอดด้วยส่ว เศษวัสดุการรีดถอนที่ร่วงหล่นอาจทำให้ผู้คนรอบข้างหรือตัวคุณเองบาดเจ็บได้
- ▶ จับเครื่องมือไฟฟ้าให้แน่นด้วยมือทั้งสองข้างและตั้งทำยืนให้มั่นคงขณะทำงาน ท่านจะสามารถนำทางเครื่องมือไฟฟ้าได้ปลอดภัยกว่าเมื่อจับเครื่องมือทั้งสองข้าง

## รายละเอียดผลิตภัณฑ์และข้อมูลจำเพาะ



**อ่านค่าเตือนเพื่อความปลอดภัยและคำแนะนำทั้งหมด** การไม่ปฏิบัติตามค่าเตือนและคำสั่งอาจเป็นสาเหตุให้ถูกไฟฟ้าดูด เกิดไฟไหม้ และ/หรือได้รับบาดเจ็บอย่างร้ายแรง

กรุณาดูภาพประกอบในส่วนหน้าของคู่มือการใช้งาน

### ประโยชน์การใช้งานของเครื่อง

เครื่องมือไฟฟ้านี้ใช้สำหรับงานสกัดในคอนกรีต อิฐ หิน และยางมะตอย รวมทั้งสำหรับงานตอกและอัดแน่นเมื่อใช้กับอุปกรณ์ประกอบที่ตรงกับลักษณะงาน

### ส่วนประกอบผลิตภัณฑ์

ลำดับเลขของส่วนประกอบผลิตภัณฑ์อ้างอิงส่วนประกอบของเครื่องมือไฟฟ้าที่แสดงในหน้าภาพประกอบ

- (1) ผาครอบกันฝุ่น
- (2) ปลอกสำหรับล็อก
- (3) แหวนล็อกปรับตอกสกัด (Vario-Lock)
- (4) ปุ่มล็อกให้สวิตช์เปิด-ปิดทำงาน
- (5) สวิตช์เปิด-ปิด
- (6) ด้ามจับ (พื้นผิวจับหุ้มฉนวน)
- (7) ด้ามจับเพิ่ม (พื้นผิวจับหุ้มฉนวน)

## ข้อมูลทางเทคนิค

ส่วนเจาะทำลาย		GSH 500
หมายเลขสินค้า		3 611 C38 7..
กำลังไฟฟ้าที่ติดตั้งเข้า	วัตต์	1100
อัตราการกระแทก	นาที <sup>-1</sup>	2900
ตำแหน่งสกัด		12
ตามจับเครื่องมือ		SDS max
การหล่อลื่น		หล่อลื่นจาระบี
น้ำหนัก <sup>A)</sup>	กก.	5.7
ระดับความปลอดภัย		☐/II

A) รวมด้ามจับเสริม (7), ไม่รวมสายเชื่อมต่อแหล่งจ่ายไฟ ค่าที่ให้ไว้ใช้ได้กับแรงดันไฟฟ้าอิมพัลส์ [U] 230 โวลต์ค่าเหล่านี้ อาจเปลี่ยนแปลงไปสำหรับแรงดันไฟฟ้าที่แตกต่างกัน และโมเดลที่ผลิตสำหรับเฉพาะประเทศ ค่าอาจแตกต่างกันไปตามผลิตภัณฑ์และขึ้นอยู่กับเงื่อนไขการใช้งานและสภาพแวดล้อม โปรดดูข้อมูลเพิ่มเติมที่เว็บไซต์ [www.bosch-professional.com/wac](http://www.bosch-professional.com/wac)

## การติดตั้ง

- ▶ ดึงปลั๊กไฟออกจากเต้าเสียบก่อนปรับแต่งเครื่อง

### ด้ามจับเพิ่ม

- ▶ ใช้เครื่องมือไฟฟ้าของท่านร่วมกับด้ามจับเพิ่ม (7) เท่านั้น ท่านสามารถจับด้ามจับเพิ่ม (7) หนึ่งไปยังตำแหน่งใดก็ได้เพื่อจะได้อำนาจงานที่มั่นคงและเหนียวแน่น
  - หมุนส่วนล่างของด้ามจับเพิ่ม (7) ทวนเข็มนาฬิกา และหันตามจับเพิ่ม (7) ไปยังตำแหน่งที่ต้องการ จากนั้นขันส่วนล่างของด้ามจับเพิ่ม (7) ตามเข็มนาฬิกากลับเข้าที่แน่น

### การเปลี่ยนเครื่องมือ

ด้ามจับเครื่องมือ SDS max ทำให้เปลี่ยนเครื่องมือเจาะได้ง่ายและสะดวกโดยไม่ต้องใช้เครื่องมืออื่นๆ ช่วย ผาครอบกันฝุ่น (1) สามารถป้องกันฝุ่นได้เป็นอย่างดีไม่ให้หลุดเข้าไปยังตามจับเครื่องมือในระหว่างการใช้งาน โปรดระมัดระวังอย่าให้ผาครอบกันฝุ่น (1) ชำรุดเสียหายขณะใส่เครื่องมือ

- ▶ ต้องเปลี่ยนผาครอบกันฝุ่นที่ชำรุดโดยทันทีเราขอแนะนำ ควรส่งให้ศูนย์บริการหลังการขายเปลี่ยนให้

### การใส่เครื่องมือ (ดูภาพประกอบ A)

- ทำความสะอาดและทาสีจาระบีบางๆ ที่ปลายก้านเครื่องมือ
- ดันปลอกสำหรับล็อก (2) ไปด้านหลังและจับเครื่องมือหมุนใส่เข้าไปตามจับเครื่องมือ ปล่อยให้วางปลอกสำหรับล็อก (2) อีกครั้งเพื่อล็อกเครื่องมือ
- ดึงเครื่องมือเพื่อตรวจสอบการล็อก

### การถอดเครื่องมือ (ดูภาพประกอบ B)

- ดันปลอกสำหรับล็อก (2) ไปด้านหลังและถอดเครื่องมือออก

## การลดฝุ่น

หลีกเลี่ยงการทำงานในสถานะที่ไม่มีมาตรการสำหรับลดฝุ่นละออง เครื่องมือไฟฟ้านี้สามารถใช้งานร่วมกับอุปกรณ์เสริมสำหรับลดฝุ่นตลอดจนเครื่องดูดฝุ่นไดตามวัตถุประสงค์การใช้งาน ใช้อุปกรณ์ป้องกันระบบทางเดินหายใจที่เหมาะสมเสมอ ปฏิบัติตามกฎข้อบังคับเกี่ยวกับวัสดุชิ้นงานที่มีการบังคับใช้ในประเทศของคุณ

### ข้อกำหนดเกี่ยวกับเครื่องดูดฝุ่น

เส้นผ่านศูนย์กลางมาตรฐานที่แนะนำสำหรับท่อ	มม.	35
ความดันสูญญากาศที่จำเป็น <sup>A)</sup>	mbar	≥ 230
	hPa	≥ 230
อัตราการไหลที่จำเป็น <sup>A)</sup>	l/s	≥ 36
	m <sup>3</sup> /h	≥ 129.6
ประสิทธิภาพตัวกรองที่แนะนำ		ฝุ่นประเภท M <sup>B)</sup>

A) ค่ากำลังที่จุดต่อเครื่องดูดฝุ่นของเครื่องมือไฟฟ้า

B) ตามมาตรฐาน IEC/EN 60335-2-69

ปฏิบัติตามคำแนะนำการใช้งานใช้งานเครื่องดูดฝุ่น หยุดการทำงานชั่วคราวเมื่อกำลังของเครื่องดูดฝุ่นลดลง และแก้ไขสาเหตุที่ก่อให้เกิดความผิดปกติดังกล่าว

## การปฏิบัติงาน

### การเริ่มต้นปฏิบัติงาน

- ▶ **ให้สังเกตแรงดันไฟฟ้า!** แรงดันไฟฟ้าจากแหล่งจ่ายไฟฟ้าต้องมีค่าตรงกับค่าแรงดันไฟฟ้าที่ระบุไว้บนแผ่นป้ายพิกัดเครื่อง

### การเปิด-ปิดเครื่อง

- **สตาร์ท** เครื่องมือไฟฟ้าโดยกดสวิตช์เปิด-ปิด (5) และกดคางไว้
- **ล๊อคสวิตช์เปิด-ปิด (5)** ที่กดคางไว้ โดยกดปุ่มล๊อคสวิตช์เปิด-ปิด (4)
- **ปิด** เครื่องมือไฟฟ้าโดยปล่อยนิ้วจากสวิตช์เปิด-ปิด (5) หรือในกรณีที่ถูกล๊อคด้วยปุ่มล๊อค (4) อยู่ ให้กดสวิตช์เปิด-ปิด (5) ลื่นๆ และปล่อยนิ้ว

ในกรณีที่มีอุณหภูมิต่ำ เครื่องมือไฟฟ้าจะเริ่มกระแทกเต็มที่หลังจากเปิดเครื่องทำงานแล้วระยะหนึ่งเท่านั้น ช่วงเวลาเริ่มทำงานนี้สามารถลดให้สั้นลงได้โดยการกระทบทุบเครื่องมือที่ใส่อยู่ในเครื่องมือไฟฟ้าลงกับพื้นหนึ่งครั้ง

### การเปลี่ยนตำแหน่งล๊อค (Vario-Lock) (ดูภาพ C)

ท่านสามารถล๊อคดอกสกัดได้ 12 ตำแหน่ง ในลักษณะนี้ท่านสามารถตั้งท่าทำงานได้เหมาะสมที่สุดสำหรับแต่ละรูปแบบการใช้งาน

- ใส่ดอกสกัดเข้าในหัวจับดอก
- ดันแหวนล๊อคปรับดอกสกัด (3) ไปข้างหน้า และหมุนดอกสกัดไปยังตำแหน่งที่ต้องการด้วยแหวนล๊อคปรับดอกสกัด (3)
- ปล่อยนิ้วจากแหวนล๊อคปรับดอกสกัด (3) และหมุนดอกสกัดจนขบเข่าที่

## ข้อแนะนำในการทำงาน

### การลับดอกสกัด

ดอกสกัดคมเท่านั้นที่จะสกัดได้ดี ดังนั้นต้องลับดอกสกัดอย่างทันทางที่การปฏิบัติงานดีจะทำให้เครื่องมือมีอายุการใช้งานยาวนานและได้ผลงานที่ดี

### การลับขี้

ลับดอกสกัดด้วยล้อเสียดสี (ต. ย. เช่น ล้อคอร์รันดัมยัดเกาะด้วยเซรามิก) โดยให้นำอย่างตอเนื่องระมัดระวังอย่าให้สีหลอมปรากฏบนขอบตัด ซึ่งจะบั่นทอนความแข็งของดอกสกัด สำหรับการตีเหล็ก ให้เผาดอกสกัดให้ร้อนถึงอุณหภูมิระหว่าง 850 และ 1050 °C (สีแดงอ่อนถึงสีเหลือง) สำหรับการทำให้แข็ง ให้เผาดอกสกัดให้ร้อนถึงอุณหภูมิประมาณ 900 °C และจุ่มดอกสกัดลงในน้ำมันเพื่อทำให้เย็นลงจากนั้นนำไปหลอมในเตาอบนานประมาณหนึ่งชั่วโมงที่อุณหภูมิ 320 °C (สีเหลือง สีฟ้าอ่อน)

## การบำรุงรักษาและการบริการ

### การบำรุงรักษาและการทำความสะอาด

- ▶ **ดึงปลั๊กไฟออกจากเต้าเสียบก่อนปรับแต่งเครื่อง**
- ▶ **เพื่อให้ทำงานได้อย่างถูกต้องและปลอดภัย**  
**ต้องรักษาเครื่องและช่องระบายอากาศให้สะอาดอยู่เสมอ**  
หากจำเป็นต้องเปลี่ยนสายไฟฟ้า ต้องส่งเครื่องให้ Bosch หรือศูนย์บริการหลังการขายที่ได้รับมอบหมายสำหรับเครื่องมือไฟฟ้า Bosch เปลี่ยนให้ ทั้งนี้เพื่อหลีกเลี่ยงอันตราย
- ▶ **ต้องเปลี่ยนฝาครอบกันฝุ่นที่ชำรุดโดยทันที เราขอแนะนำ**  
**วิศวกรช่างใหญ่ศูนย์บริการหลังการขายเปลี่ยนให้**

### การหล่อลื่นเครื่องมือไฟฟ้า

เครื่องมือไฟฟ้านี้หล่อลื่นด้วยจาระบี จำเป็นต้องเปลี่ยนจาระบีหล่อลื่นเฉพาะในระหว่างการบำรุงรักษาหรือซ่อมแซมโดยศูนย์บริการลูกค้าที่ได้รับมอบหมายสำหรับเครื่องมือไฟฟ้า บอช เท่านั้นสำหรับการเปลี่ยน จำเป็นต้องใช้จาระบีหล่อลื่นของ บอช ที่กำหนดไว้ ทุกครั้งที่เปลี่ยนแปรถ่าน จำเป็นต้องเปลี่ยนจาระบีด้วยเอาจาระบีเก่าออกก่อนที่จะทาจาระบีใหม่

### การบริการหลังการขายและการให้คำปรึกษาการใช้

#### ไทย

โทร: +66 2012 8888

คุณสามารถดูลิงก์ไปยังที่อยู่ฝ่ายบริการและเงื่อนไขการรับประกันได้ในหน้าสุดท้ายของเอกสาร

เมื่อต้องการสอบถามและสั่งซื้ออะไหล่ กรุณาแจ้งหมายเลขสินค้า 10 หลักบนแผ่นป้ายรุ่นของผลิตภัณฑ์ทุกครั้ง

### การกำจัดขยะ

เครื่องมือไฟฟ้า อุปกรณ์ประกอบ และที่บ่อ ต้องนำไปแยกประเภทวัสดุเพื่อการรีไซเคิลที่เป็นมิตรต่อสิ่งแวดล้อม



อย่าทิ้งเครื่องมือไฟฟ้าลงในขยะบ้าน!

## Bahasa Indonesia

### Petunjuk Keselamatan

#### Petunjuk keselamatan umum untuk perkakas listrik

**⚠ PERINGATAN** Baca semua peringatan, petunjuk, ilustrasi, dan spesifikasi keselamatan yang diberikan bersama perkakas listrik ini. Kesalahan dalam menjalankan petunjuk di bawah ini dapat mengakibatkan sengatan listrik, kebakaran, dan/atau cedera serius.

**Simpanlah semua peringatan dan petunjuk untuk penggunaan di masa mendatang.**

Istilah "perkakas listrik" dalam peringatan mengacu pada perkakas listrik yang dioperasikan dengan listrik (mengggunakan kabel) atau perkakas listrik yang dioperasikan dengan baterai (tanpa kabel).

#### Keamanan tempat kerja

- ▶ **Jaga kebersihan dan pencahayaan area kerja.** Area yang berantakan atau gelap dapat memicu kecelakaan.
- ▶ **Jangan mengoperasikan perkakas listrik di lingkungan yang dapat memicu ledakan, seperti adanya cairan, gas, atau debu yang mudah terbakar.** Perkakas listrik dapat memancarkan bunga api yang kemudian mengakibatkan debu atau uap terbakar.
- ▶ **Jauhkan dari jangkauan anak-anak dan pengamat saat mengoperasikan perkakas listrik.** Gangguan dapat menyebabkan hilangnya kendali.

#### Keamanan listrik

- ▶ **Steker perkakas listrik harus sesuai dengan stopkontak. Jangan pernah memodifikasi steker. Jangan menggunakan steker adaptor bersama dengan perkakas listrik yang terhubung dengan sistem grounding.** Steker yang tidak dimodifikasi dan stopkontak yang cocok akan mengurangi risiko sengatan listrik.
- ▶ **Hindari kontak badan dengan permukaan yang terhubung dengan sistem grounding, seperti pipa, radiator, kompor, dan lemari es.** Terdapat peningkatan risiko terjadinya sengatan listrik jika badan Anda terhubung dengan sistem grounding.
- ▶ **Perkakas listrik tidak boleh terpapar hujan atau basah.** Air yang masuk ke dalam perkakas listrik menambah risiko terjadinya sengatan listrik.

- ▶ **Jangan menyalahgunakan kabel. Jangan gunakan kabel untuk membawa, menarik, atau melepas steker perkakas listrik. Jauhkan kabel dari panas, minyak, tepi yang tajam, atau komponen yang bergerak.** Kabel listrik yang rusak atau tersangkut menambah risiko terjadinya sengatan listrik.
- ▶ **Saat mengoperasikan perkakas listrik di luar ruangan, gunakan kabel ekstensi yang sesuai untuk penggunaan di luar ruangan.** Penggunaan kabel yang cocok untuk pemakaian di luar ruangan mengurangi risiko terjadinya sengatan listrik.
- ▶ **Jika perkakas listrik memang harus dioperasikan di tempat yang lembap, gunakan pemutus arus listrik residu (RCD).** Penggunaan RCD akan mengurangi risiko terjadinya sengatan listrik.

#### Keselamatan personel

- ▶ **Tetap waspada, perhatikan aktivitas yang sedang dikerjakan dan gunakan akal sehat saat mengoperasikan perkakas listrik. Jangan gunakan perkakas listrik saat mengalami kelelahan atau di bawah pengaruh narkoba, alkohol, atau obat-obatan.** Jika perkakas listrik dioperasikan dengan daya konsentrasi yang rendah, hal tersebut dapat menyebabkan cedera serius.
- ▶ **Gunakan peralatan pelindung diri. Selalu kenakan pelindung mata.** Penggunaan perlengkapan pelindung seperti penutup telinga, helm, sepatu anti licin, dan masker debu akan mengurangi cedera.
- ▶ **Hindari start yang tidak disengaja. Pastikan switch berada di posisi off sebelum perkakas listrik dihubungkan ke sumber daya listrik dan/atau baterai, diangkat, atau dibawa.** Membawa perkakas listrik dengan jari menempel pada tombol atau perkakas listrik dalam keadaan hidup dapat memicu kecelakaan.
- ▶ **Singkirkan kunci penyetel atau kunci pas sebelum menghidupkan perkakas listrik.** Perkakas atau kunci pas yang masih menempel pada komponen perkakas listrik yang berputar dapat menyebabkan cedera.
- ▶ **Jangan melampaui batas. Berdirilah secara mantap dan selalu jaga keseimbangan.** Hal ini akan memberikan kontrol yang lebih baik terhadap perkakas listrik pada situasi yang tak terduga.
- ▶ **Kenakan pakaian dengan wajar. Jangan mengenakan perhiasan atau pakaian yang longgar. Jauhkan rambut dan pakaian dari komponen yang bergerak.** Pakaian yang longgar, rambut panjang, atau perhiasan dapat tersangkut dalam komponen yang bergerak.
- ▶ **Jika disediakan perangkat untuk sambungan pengisapan debu dan alat pengumpulan, pastikan perangkat tersebut terhubung dan digunakan dengan benar.** Penggunaan alat pengumpulan dapat mengurangi bahaya yang disebabkan oleh debu.
- ▶ **Jangan berpuas diri dan mengabaikan prinsip keselamatan karena terbiasa mengoperasikan perkakas.** Tindakan yang kurang hati-hati dapat

mengakibatkan cedera serius dalam waktu sepersekian detik.

#### Penggunaan dan pemeliharaan perkakas listrik

- ▶ **Jangan memaksakan perkakas listrik.** Gunakan perkakas listrik yang sesuai untuk pekerjaan yang dilakukan. Perkakas listrik yang sesuai akan bekerja dengan lebih baik dan aman sesuai tujuan penggunaan.
- ▶ **Jangan gunakan perkakas listrik dengan switch yang tidak dapat dioperasikan.** Perkakas listrik yang switchnya yang tidak berfungsi dapat menimbulkan bahaya dan harus diperbaiki.
- ▶ **Lepaskan steker dari sumber listrik dan/atau lepas baterai, jika dapat dilepaskan dari perkakas listrik sebelum menyatel, mengganti aksesoris, atau menyimpan perkakas listrik.** Tindakan preventif akan mengurangi risiko menghidupkan perkakas listrik secara tidak disengaja.
- ▶ **Jauhkan dan simpan perkakas listrik dari jangkauan anak-anak dan jangan biarkan orang-orang yang tidak mengetahui cara menggunakan perkakas listrik, mengoperasikan perkakas listrik.** Perkakas listrik dapat membahayakan jika digunakan oleh orang-orang yang tidak terlatih.
- ▶ **Lakukan pemeliharaan perkakas listrik dan aksesoris.** Periksa komponen yang bergerak apabila tidak lurus atau terikat, kerusakan komponen, dan kondisi lain yang dapat mengganggu pengoperasian perkakas listrik. Apabila rusak, perbaiki perkakas listrik sebelum digunakan. Kecelakaan sering terjadi karena perkakas listrik tidak dirawat dengan baik.
- ▶ **Jaga ketajaman dan kebersihan alat.** Alat pemotong dengan pisau pemotong yang tajam dan dirawat dengan baik tidak akan mudah tersangkut dan lebih mudah dikendalikan.
- ▶ **Gunakan perkakas listrik, aksesoris, dan komponen perkakas dll sesuai dengan petunjuk ini, dengan mempertimbangkan kondisi kerja dan pekerjaan yang akan dilakukan.** Penggunaan perkakas listrik untuk tujuan berbeda dari fungsinya dapat menyebabkan situasi yang berbahaya.
- ▶ **Jaga gagang dan permukaan genggam agar tetap kering, bersih, dan bebas dari minyak dan lemak.** Gagang dan permukaan genggam yang licin tidak menjamin keamanan kerja dan kontrol alat yang baik pada situasi yang tidak terduga.

#### Servis

- ▶ **Minta teknisi berkualifikasi untuk servis perkakas listrik dengan hanya menggunakan suku cadang yang identik.** Dengan demikian, hal ini akan memastikan keamanan perkakas listrik.

#### Petunjuk keselamatan untuk hammer

##### Petunjuk keselamatan untuk semua pengoperasian

- ▶ **Kenakan sumbat telinga.** Suara bising alat dapat menyebabkan berkurangnya pendengaran.

- ▶ **Gunakan handle tambahan, jika tersedia.** Kehilangan kendali dapat menyebabkan cedera.
- ▶ **Pegang perkakas listrik pada permukaan gagang isolator saat digunakan, karena aksesoris pemotong dapat saja bersentuhan dengan kabel yang tidak terlihat atau kabelnya sendiri.** Aksesoris pemotong yang bersentuhan dengan kabel yang dialiri listrik dapat menyebabkan bagian logam perkakas listrik yang terbuka dialiri listrik sehingga berisiko mengakibatkan sengatan listrik pada operator.

#### Petunjuk keselamatan tambahan

- ▶ **Gunakanlah alat detektor logam yang cocok untuk mencari kabel dan pipa yang tidak terlihat atau hubungi perusahaan pengadaan setempat.** Sentuhan dengan kabel-kabel listrik dapat mengakibatkan api dan kontak listrik. Pipa gas yang dirusak dapat mengakibatkan ledakan. Pipa air yang dirusak mengakibatkan kerusakan barang-barang atau dapat mengakibatkan kontak listrik.
- ▶ **Sebelum meletakkan perkakas listrik, tunggulah hingga perkakas berhenti berputar.** Alat kerja dapat tersangkut dan menyebabkan perkakas listrik tidak dapat dikendalikan.
- ▶ **Gunakan alat kerja dengan aman.** Benda yang ditahan dalam alat pemegang atau bais lebih aman daripada benda yang dipegang dengan tangan.
- ▶ **Jangan menyentuh alat sisipan atau bagian housing yang berdekatan sesaat setelah pengoperasian.** Alat sisipan atau housing tersebut dapat menjadi sangat panas selama pengoperasian sehingga menyebabkan luka bakar.
- ▶ **Berhati-hatilah saat menghancurkan suatu objek dengan pahat.** Serpihan-serpihan yang jatuh dari material yang dihancurkan dapat mencederaikan Anda atau orang di sekitar Anda.
- ▶ **Pegang erat perkakas listrik dengan kedua tangan selama mengoperasikannya dan pastikan Anda berdiri di posisi aman.** Gunakan perkakas listrik dengan kedua tangan secara hati-hati.

## Spesifikasi produk dan performa



**Bacalah semua petunjuk keselamatan dan petunjuk penggunaan.** Kesalahan dalam menjalankan petunjuk keselamatan dan petunjuk penggunaan dapat mengakibatkan kontak listrik, kebakaran, dan/atau luka-luka yang berat.

Perhatikan ilustrasi yang terdapat pada sisi sampul panduan pengoperasian.

#### Tujuan penggunaan

Perkakas listrik ini cocok untuk pekerjaan memahat pada material beton, batu bata, batu dan aspal serta dengan menggunakan aksesoris yang sesuai, juga untuk menanam dan memadatkan.

## Ilustrasi komponen

Penomoran ilustrasi komponen mengacu pada gambar perkakas listrik pada halaman grafis.

- (1) Tutup pelindung debu
- (2) Selongsong pengunci
- (3) Ring untuk penyetelan pahat (Vario-Lock)
- (4) Tombol pengunci untuk tombol on/off
- (5) Tombol on/off
- (6) Gagang (permukaan genggam berisolator)
- (7) Gagang tambahan (permukaan genggam berisolator)

## Data teknis

Hammer impact	GSH 500	
Nomor seri	3 611 C38 7..	
Input daya nominal	W	1100
Tingkat getaran	min <sup>-1</sup>	2900
Posisi penyetelan pahat	12	
Dudukan alat kerja	SDS max	
Pelumasan	Pelumasan dengan gemuk	
Berat <sup>A)</sup>	kg	5,7
Tingkat perlindungan	□/II	

A) Dengan gagang tambahan (7), tanpa kabel daya  
Data-data berlaku untuk tegangan nominal [U] 230 V. Pada tegangan yang lebih rendah dan pada model khusus mancanegara data-data ini bisa berlainan.

Nilai dapat berbeda-beda bergantung pada produk dan mungkin tunduk pada kondisi lingkungan serta penggunaan. Informasi lebih lanjut pada [www.bosch-professional.com/wac](http://www.bosch-professional.com/wac).

## Cara memasang

- ▶ **Sebelum mulai dengan pekerjaan pada perkakas listrik, tariklah steker dari stopkontak.**

### Gagang tambahan

- ▶ **Gunakanlah perkakas listrik hanya dengan gagang tambahan (7).**

Gagang tambahan (7) dapat digerakkan ke arah mana saja sesuai keinginan untuk memungkinkan posisi kerja yang aman dan tidak menyulitkan.

- Putar bagian bawah gagang tambahan (7) berlawanan arah jarum jam dan gerakkan gagang tambahan (7) ke posisi yang diinginkan. Lalu putar dan kencangkan kembali bagian bawah gagang tambahan (7) searah jarum jam.

### Mengganti alat kerja

Dengan dudukan alat kerja SDS max, alat sisipan dapat diganti dengan mudah dan nyaman tanpa menggunakan alat tambahan.

Kap pelindung debu (1) mencegah masuknya debu ke dalam dudukan alat kerja selama pengoperasian. Saat memasang alat kerja, pastikan kap pelindung debu (1) tidak rusak.

- ▶ **Kap pelindung debu yang rusak perlu segera diganti. Kami anjurkan supaya penggantian dilakukan oleh Service Center Bosch.**

### Memasang alat sisipan (lihat gambar A)

- Bersihkan ujung alat sisipan dan lumasi dengan gemuk sedikit.
- Dorong selubung pengunci (2) ke belakang dan pasang alat sisipan ke dalam dudukan perkakas dengan cara diputar. Lepaskan kembali selubung pengunci (2) untuk mengunci alat sisipan.
- Periksa penguncian dengan menarik perkakas.

### Melepaskan alat sisipan (lihat gambar B)

- Dorong selubung pengunci (2) ke belakang dan lepaskan alat sisipan.

## Pengurangan debu

Hindari bekerja tanpa tindakan pengurangan debu. Bergantung pada tujuan penggunaan, perkakas listrik dapat dikombinasikan dengan aksesoris pengurang debu, juga dengan alat pengisap.

Selalu gunakan perlindungan pernapasan yang sesuai. Patuhi peraturan yang berlaku di negara Anda untuk material yang akan diproses.

### Ketentuan alat pengisap

Rekomendasi diameter nominal slang	mm	35
Tekanan negatif yang diperlukan <sup>A)</sup>	mbar hPa	≥ 230 ≥ 230
Laju aliran yang diperlukan <sup>A)</sup>	l/s m <sup>3</sup> /h	≥ 36 ≥ 129,6
Rekomendasi efisiensi filter		Kategori debu M <sup>B)</sup>

A) Nilai daya pada sambungan alat pengisap perkakas listrik

B) Berdasarkan IEC/EN 60335-2-69

Silakan lihat petunjuk penggunaan alat pengisap. Jika daya isap berkurang, hentikan pekerjaan dan hilangkan penyebabnya.

## Penggunaan

### Cara penggunaan

- ▶ **Perhatikan tegangan jaringan listrik!** Tegangan jaringan listrik harus sesuai dengan tegangan listrik yang tercantum pada label tipe perkakas listrik.

### Mengaktifkan/menonaktifkan perkakas listrik

- Untuk **menggunakan** perkakas listrik, tekan dan tahan tombol on/off (5).
- Untuk **mengunci** tombol on/off (5) yang telah ditekan, tekan tombol pengunci (4).

- Untuk **menonaktifkan** perkakas listrik, lepaskan tombol on/off **(5)** jika tombol dikunci dengan tombol pengunci **(4)**, tekan singkat tombol on/off **(5)** lalu lepaskan.

Pada suhu yang rendah, perkakas listrik akan mencapai daya impact maksimalnya setelah beberapa saat. Waktu start-up dapat dipersingkat dengan cara menyetelkan satu kali alat sisipan yang terpasang di dalam perkakas listrik pada lantai.

#### Mengubah posisi pahat (Vario-Lock) (lihat gambar C)

Pahat dapat dikunci pada **12** posisi. Dengan demikian, posisi kerja yang optimal dapat diperoleh.

- Masukkan pahat ke dalam dudukan alat kerja.
- Dorong ring untuk penyetelan pahat **(3)** ke depan dan putar pahat dengan ring untuk penyetelan pahat **(3)** ke posisi yang diinginkan.
- Lepaskan ring untuk penyetelan pahat **(3)** dan putar pahat hingga mengunci.

### Petunjuk pemakaian

#### Mengasah pahat

Hanya dengan pahat yang tajam dapat diperoleh hasil kerja yang bagus, karena itu asahlah pahat dengan tepat waktu. Hal ini akan membuat perkakas menjadi tahan lama dan menciptakan hasil yang bagus.

#### Pengerindaan ulang

Asahkan pahat pada mata gerinda, misalnya korundum, sambil dibasahi dengan air secara kontinu. Perhatikanlah supaya pada ujung pahat tidak tampak warna suhu karena kekerasan pahat bisa berkurang.

Untuk melakukan **penempaan**, panaskan pahat pada suhu 850 hingga 1050 °C (merah cerah hingga kuning).

Untuk melakukan **pengerasan**, panaskan pahat pada suhu sekitar 900 °C lalu dinginkan ke dalam minyak. Selanjutnya, masukkan ke dalam oven selama sekitar satu jam pada suhu 320 °C (warna suhu biru terang).

### Perawatan dan servis

#### Perawatan dan pembersihan

- ▶ **Sebelum mulai dengan pekerjaan pada perkakas listrik, tariklah steker dari stopkontak.**
- ▶ **Perkakas listrik dan lubang ventilasi harus selalu dibersihkan agar perkakas dapat digunakan dengan baik dan aman.**

Jika kabel listrik harus diganti, pekerjaan ini harus dilakukan oleh **Bosch** atau Service Center untuk perkakas listrik **Bosch** resmi agar keselamatan kerja selalu terjamin.

- ▶ **Tutup pelindung debu yang rusak harus segera diganti. Direkomendasikan untuk melakukannya di layanan pelanggan Bosch.**

#### Melumasi perkakas listrik

Perkakas listrik telah diberi pelumas dan segera siap digunakan.

Gemuk ini hanya perlu diganti jika perkakas listrik sedang diservis atau diperbaiki oleh Service Center perkakas listrik

Bosch resmi. Untuk itu, gunakan gemuk yang disediakan oleh Bosch.

Pelumas perlu diganti saat mengganti carbon brush. Sebelum mengoleskan pelumas baru, pelumas yang lama harus dibersihkan.

### Layanan pelanggan dan konsultasi penggunaan

#### Indonesia

Tel.: (021) 3005 5800

Tautan ke alamat web layanan dan informasi ketentuan garansi kami dapat ditemukan di halaman terakhir.

Jika Anda hendak menanyakan sesuatu atau memesan suku cadang, selalu sebutkan nomor model yang terdiri dari 10 angka dan tercantum pada label tipe produk.

#### Cara membuang

Perkakas listrik, aksesoris, dan kemasan sebaiknya didaur ulang secara ramah lingkungan.



Jangan membuang perkakas listrik ke dalam tempat sampah rumah tangga!

## Tiếng Việt

### Hướng dẫn an toàn

#### Hướng dẫn an toàn chung cho dụng cụ điện

**⚠ CẢNH BÁO** **Hãy đọc toàn bộ các cảnh báo an toàn, hướng dẫn, hình ảnh và thông số kỹ thuật được cung cấp cho dụng cụ điện cầm tay này.** Không tuân thủ mọi hướng dẫn được liệt kê dưới đây có thể bị điện giật, gây cháy và /hay bị thương tật nghiêm trọng. **Hãy giữ tất cả tài liệu về cảnh báo và hướng dẫn để tham khảo về sau.**

Thuật ngữ "dụng cụ điện cầm tay" trong phần cảnh báo là để cập đến sự sử dụng dụng cụ điện cầm tay của bạn, loại sử dụng điện nguồn (có dây cắm điện) hay vận hành bằng pin (không dây cắm điện).

#### Khu vực làm việc an toàn

- ▶ **Giữ nơi làm việc sạch và đủ ánh sáng.** Nơi làm việc bừa bộn và tối tăm dễ gây ra tai nạn.
- ▶ **Không vận hành dụng cụ điện cầm tay trong môi trường dễ gây nổ, chẳng hạn như nơi có chất lỏng dễ cháy, khí đốt hay rác.** Dụng cụ điện cầm tay tạo ra các tia lửa nên có thể làm rác bén cháy hay bốc khói.
- ▶ **Không để trẻ em hay người đến xem đứng gần khi vận hành dụng cụ điện cầm tay.** Sự phân tâm có thể gây ra sự mất điều khiển.

### An toàn về điện

- ▶ **Phích cắm của dụng cụ điện cầm tay phải thích hợp với ổ cắm. Không bao giờ được cải biến lại phích cắm dưới mọi hình thức. Không được sử dụng phích cắm nối tiếp đất (dây mát).** Phích cắm nguyên bản và ổ cắm đúng loại sẽ làm giảm nguy cơ bị điện giật.
- ▶ **Tránh không để thân thể tiếp xúc với đất hay các vật có bề mặt tiếp đất như đường ống, lò sưởi, hàng rào và tủ lạnh.** Có nhiều nguy cơ bị điện giật hơn nếu cơ thể bạn bị tiếp hay nối đất.
- ▶ **Không được để dụng cụ điện cầm tay ngoài mưa hay ở tình trạng ẩm ướt.** Nước vào máy sẽ làm tăng nguy cơ bị điện giật.
- ▶ **Không được làm dụng dây dẫn điện. Không bao giờ được nắm dây dẫn để xách, kéo hay rút phích cắm dụng cụ điện cầm tay. Không để dây gần nơi có nhiệt độ cao, dầu nhớt, vật nhọn bén và bộ phận chuyển động.** Làm hỏng hay cuộn rối dây dẫn làm tăng nguy cơ bị điện giật.
- ▶ **Khi sử dụng dụng cụ điện cầm tay ngoài trời, dùng dây nối thích hợp cho việc sử dụng ngoài trời.** Sử dụng dây nối thích hợp cho việc sử dụng ngoài trời làm giảm nguy cơ bị điện giật.
- ▶ **Nếu việc sử dụng dụng cụ điện cầm tay ở nơi ẩm ướt là không thể tránh được, dùng thiết bị ngắt mạch tự động (RCD) bảo vệ nguồn.** Sử dụng thiết bị ngắt mạch tự động RCD làm giảm nguy cơ bị điện giật.

### An toàn cá nhân

- ▶ **Hãy tỉnh táo, biết rõ mình đang làm gì và hãy sử dụng ý thức khi vận hành dụng cụ điện cầm tay.** Không sử dụng dụng cụ điện cầm tay khi đang mệt mỏi hay đang bị tác động do chất gây nghiện, rượu hay được phẩm gây ra. Một thoáng mất tập trung khi đang vận hành dụng cụ điện cầm tay có thể gây thương tích nghiêm trọng cho bản thân.
- ▶ **Sử dụng trang bị bảo hộ cá nhân.** Luôn luôn đeo kính bảo vệ mắt. Trang bị bảo hộ như khẩu trang, giày chống trượt, nón bảo hộ, hay dụng cụ bảo vệ tai khi được sử dụng đúng nơi đúng chỗ sẽ làm giảm nguy cơ thương tật cho bản thân.
- ▶ **Phòng tránh máy khởi động bất ngờ.** Bảo đảm công tắc máy ở vị trí tắt trước khi cắm vào nguồn điện và/hay lắp pin vào, khi nhắc máy lên hay khi mang xách máy. Ngáng ngón tay vào công tắc máy để xách hay kích hoạt dụng cụ điện cầm tay khi công tắc ở vị trí mở để dẫn đến tai nạn.
- ▶ **Lấy mọi chìa hay khóa điều chỉnh ra trước khi mở điện dụng cụ điện cầm tay.** Khóa hay chìa còn gắn dính vào bộ phận quay của dụng cụ điện cầm tay có thể gây thương tích cho bản thân.

- ▶ **Không rướn người. Luôn luôn giữ tư thế đứng thích hợp và thẳng bằng.** Điều này tạo cho việc điều khiển dụng cụ điện cầm tay tốt hơn trong mọi tình huống bất ngờ.
- ▶ **Trang phục thích hợp. Không mặc quần áo rộng lủng thụng hay mang trang sức. Giữ tóc và quần áo xa khỏi các bộ phận chuyển động.** Quần áo rộng lủng thụng, đồ trang sức hay tóc dài có thể bị cuốn vào các bộ phận chuyển động.
- ▶ **Nếu có các thiết bị đi kèm để nối máy hút bụi và các phụ kiện khác, bảo đảm các thiết bị này được nối và sử dụng tốt.** Việc sử dụng các thiết bị gom hút bụi có thể làm giảm các độc hại liên quan đến bụi gây ra.
- ▶ **Không để thói quen do sử dụng thường xuyên dụng cụ khiến bạn trở nên chủ quan và bỏ qua các quy định an toàn dụng cụ.** Một hành vi bất cẩn có thể gây ra thương tích nghiêm trọng chỉ trong tích tắc.

### Sử dụng và bảo dưỡng dụng cụ điện cầm tay

- ▶ **Không được ép máy.** Sử dụng dụng cụ điện cầm tay đúng loại theo đúng ứng dụng của bạn. Dụng cụ điện cầm tay đúng chức năng sẽ làm việc tốt và an toàn hơn theo đúng tiến độ mà máy được thiết kế.
- ▶ **Không sử dụng dụng cụ điện cầm tay nếu như công tắc không tắt và mở được.** Bất kỳ dụng cụ điện cầm tay nào mà không thể điều khiển được bằng công tắc là nguy hiểm và phải được sửa chữa.
- ▶ **Rút phích cắm ra khỏi nguồn điện và/hay pin ra khỏi dụng cụ điện cầm tay nếu có thể tháo được, trước khi tiến hành bất kỳ điều chỉnh nào, thay phụ kiện, hay cất dụng cụ điện cầm tay.** Các biện pháp ngăn ngừa như vậy làm giảm nguy cơ dụng cụ điện cầm tay khởi động bất ngờ.
- ▶ **Cất giữ dụng cụ điện cầm tay không dùng tới nơi trẻ em không lấy được và không cho người chưa từng biết dụng cụ điện cầm tay hay các hướng dẫn này sử dụng dụng cụ điện cầm tay.** Dụng cụ điện cầm tay nguy hiểm khi ở trong tay người chưa được chỉ cách sử dụng.
- ▶ **Bảo quản dụng cụ điện cầm tay và các phụ kiện.** Kiểm tra xem các bộ phận chuyển động có bị sai lệch hay kẹt, các bộ phận bị rạn nứt và các tình trạng khác có thể ảnh hưởng đến sự vận hành của máy. Nếu bị hư hỏng, phải sửa chữa máy trước khi sử dụng. Nhiều tai nạn xảy ra do bảo quản dụng cụ điện cầm tay tồi.
- ▶ **Giữ các dụng cụ cất bên và sạch.** Bảo quản đúng cách các dụng cụ cất có cạnh cắt bén làm giảm khả năng bị kẹt và dễ điều khiển hơn.

- ▶ **Sử dụng dụng cụ điện cầm tay, phụ kiện, đầu cài v. v., đúng theo các chỉ dẫn này, hãy lưu ý đến điều kiện làm việc và công việc phải thực hiện.** Sự sử dụng dụng cụ điện cầm tay khác với mục đích thiết kế có thể tạo nên tình huống nguy hiểm.
- ▶ **Giữ tay cầm và bề mặt nắm luôn khô ráo, sạch sẽ và không dính dầu mỡ.** Tay cầm và bề mặt nắm trơn trượt không đem lại thao tác an toàn và kiểm soát dụng cụ trong các tình huống bất ngờ.

#### Bảo dưỡng

- ▶ **Đưa dụng cụ điện cầm tay của bạn đến thợ chuyên môn để bảo dưỡng, chỉ sử dụng phụ tùng đúng chủng loại để thay.** Điều này sẽ đảm bảo sự an toàn của máy được giữ nguyên.

#### Hướng dẫn an toàn về búa

##### Hướng dẫn an toàn cho mọi hoạt động

- ▶ **Đeo ba ỏ vệ, tai.** Tiếp xúc với tiếng ồn có thể làm mất khả năng nghe.
- ▶ **Sử dụng (các) tay cầm phụ, nếu được cung cấp kèm theo dụng cụ.** Mất điều khiển có thể gây ra thương tích cho người.
- ▶ **Chỉ cầm dụng cụ điện tại các bề mặt cầm nắm có cách điện, khi thực hiện một thao tác tại vị trí mà phụ kiện cắt có thể tiếp xúc với dây điện ngầm hoặc chính dây điện của thiết bị.** Phụ kiện cắt tiếp xúc với dây có điện có thể làm cho các phần kim loại hở của dụng cụ điện cầm tay có điện và có thể gây ra điện giật cho người vận hành.

##### Các cảnh báo phụ thêm

- ▶ **Dùng thiết bị dò tìm thích hợp để xác định nếu có các công trình công cộng lắp đặt ngầm trong khu vực làm việc hay liên hệ với Cty công trình công cộng địa phương để nhờ hỗ trợ.** Dụng cụ chạm đường dẫn điện có thể gây ra hỏa hoạn và điện giật. Làm hư hại đường dẫn khí ga có thể gây nổ. Làm thủng đường dẫn nước gây hư hỏng tài sản hay có khả năng gây ra điện giật.
- ▶ **Luôn luôn đợi cho máy hoàn toàn ngừng hẳn trước khi đặt xuống.** Dụng cụ lắp vào máy có thể bị kẹp chặt dẫn đến việc dụng cụ điện cầm tay bị mất điều khiển.
- ▶ **Kẹp chặt vật gia công.** Vật gia công được kẹp bằng một thiết bị kẹp hay bằng êtô thì vững chắc hơn giữ bằng tay.
- ▶ **Không chạm vào bất kỳ dụng cụ hoặc bộ phận vỏ gắn kể nào ngay sau khi vận hành.** Chúng có thể rất nóng trong quá trình vận hành và gây bỏng.
- ▶ **Cẩn thận với công việc phá dỡ bằng máy đục.** Các mảnh vỡ của vật liệu phá dỡ rơi xuống

có thể gây thương tích cho người xung quanh hoặc chính bạn.

- ▶ **Giữ máy thật chắc bằng cả hai tay trong khi làm việc và luôn luôn giữ tư thế đứng cho thích hợp và cân bằng.** Dùng hai tay để điều khiển máy thì an toàn hơn.

## Mô Tả Sản Phẩm và Đặc Tính Kỹ Thuật



**Đọc kỹ mọi cảnh báo an toàn và mọi hướng dẫn.** Không tuân thủ mọi cảnh báo và hướng dẫn được liệt kê dưới đây có thể bị điện giật, gây cháy và / hay bị thương tật nghiêm trọng.

Xin lưu ý các hình minh hoạt trong phần trước của hướng dẫn vận hành.

### Sử dụng đúng cách

Máy được thiết kế để đục bê-tông, gạch, công trình nề và nhựa đường cũng như để khoét sâu vào hay đầm nén khi ta sử dụng các phụ kiện tương hợp.

### Các bộ phận được minh họa

Việc đánh số các thành phần đã minh họa liên quan đến mô tả dụng cụ điện trên trang hình ảnh.

- (1) Chụp ngăn bụi
- (2) Vòng khóa
- (3) Vòng điều chỉnh mũi đục (Vario-Lock)
- (4) Nút khoá giữ chế độ tự-chạy của công tắc Tắt/Mở
- (5) Công tắc bật/tắt
- (6) Tay nắm (bề mặt nắm cách điện)
- (7) Tay nắm phụ (có bề mặt nắm cách điện)

### Thông số kỹ thuật

Búa phá		GSH 500
Mã số máy		3 611 C38 7..
Công suất vào danh định	W	1100
Tần suất đập	/phút	2900
Vị trí mũi đục		12
Phần lắp dụng cụ		SDS max
Bôi trơn		Sự bôi trơn bằng mỡ
Trọng lượng <sup>A)</sup>	kg	5,7
Cấp độ bảo vệ		□ / II

A) Với tay nắm phụ (7), không cấp lưới điện

Các giá trị đã cho có hiệu lực cho điện thế danh định [U] 230 V. Đối với điện thế thấp hơn và các loại máy dành riêng cho một số quốc gia, các giá trị này có thể thay đổi.

Các giá trị có thể khác nhau tùy thuộc vào sản phẩm và tùy thuộc vào ứng dụng và điều kiện môi trường. Xem thêm thông tin chi tiết trên trang [www.bosch-professional.com/wac](http://www.bosch-professional.com/wac).

## Sự lắp vào

- Trước khi tiến hành bất cứ việc gì trên máy, kéo phích cắm điện nguồn ra.

### Tay nắm phụ

- Chỉ vận hành máy của bạn khi đã gắn tay nắm phụ (7).

Bạn có thể xoay tay nắm phụ (7) tùy ý, để có tư thế làm việc an toàn và ít mỏi.

- Xoay phần tay cầm dưới của tay nắm phụ (7) ngược chiều kim đồng hồ và xoay tay nắm phụ (7) vào vị trí mong muốn. Sau đó siết chặt phần tay cầm dưới của tay nắm phụ (7) theo chiều kim đồng hồ.

### Thay Dụng Cụ

Phần lắp dụng cụ SDS max tạo sự tiện lợi và đơn giản cho việc thay dụng cụ ứng dụng mà không cần đến dụng cụ hỗ trợ.

Chụp bảo vệ ngăn bụi (1) giúp ngăn cản phần lớn sự xâm nhập của bụi khoan vào dụng cụ trong thời gian hoạt động. Khi lắp dụng cụ vào, hãy lưu ý rằng chụp bảo vệ ngăn bụi (1) không bị làm hư hỏng.

- Thay chụp ngăn bụi bị hỏng ngay lập tức. Chúng tôi khuyến nghị việc thay thế này do một đại lý phục vụ hậu mãi thực hiện.

### Thay phụ tùng (xem hình A)

- Làm sạch và thoa một lớp mỏng dầu bôi trơn lên chuỗi của dụng cụ.
- Đẩy vòng Khóa (2) về phía sau và đặt phụ tùng vào phần lắp dụng cụ. Nhả vòng khóa (2), để khóa phụ tùng.
- Kiểm tra xem đã cài chắc chưa bằng cách kéo thử dụng cụ ra.

### Thay (xem hình B)

- Đẩy vòng khóa (2) về phía sau và tháo phụ tùng.

### Giảm bụi

Tránh làm việc mà không các biện pháp giảm bụi. Tùy thuộc vào ứng dụng, dụng cụ điện có thể được kết hợp với các phụ kiện giảm bụi và máy hút bụi. Luôn sử dụng mặt nạ phòng độc phù hợp. Tuân thủ các qui định của quốc gia bạn liên quan đến loại vật liệu gia công.

#### Các yêu cầu về máy hút bụi

Đường kính danh định được khuyến nghị của ống mềm	mm	35
Chân không cần thiết <sup>A)</sup>	mbar	≥ 230
	hPa	≥ 230
Lưu lượng cần thiết <sup>A)</sup>	l/s	≥ 36
	m <sup>3</sup> /h	≥ 129,6

#### Các yêu cầu về máy hút bụi

Hiệu quả bộ lọc được khuyến nghị

Mức bụi M<sup>B)</sup>

A) Giá trị công suất tại đầu nối máy hút bụi của dụng cụ điện

B) Theo IEC/EN 60335-2-69

Hãy lưu ý hướng dẫn về máy hút bụi. Nếu công suất hút giảm, hãy ngừng công việc và loại bỏ nguyên nhân.

## Vận Hành

### Bắt Đầu Vận Hành

- Tuân thủ theo đúng điện thế! Điện thế nguồn phải đúng với điện thế đã ghi rõ trên nhãn máy.

### Bật Mở và Tắt

- Để vận hành thử dụng cụ điện hãy nhấn công tắc bật/tắt (5) và nhấn giữ.
- Để khóa công tắc bật/tắt đã nhấn (5) hãy nhấn nút khóa giữ (4).
- Để tắt dụng cụ điện, hãy nhả công tắc bật/tắt (5) hoặc nếu nó được khóa bằng nút khóa giữ (4), hãy nhấn công tắc bật/tắt (5) nhanh và nhả.

Ở nhiệt độ thấp, dụng cụ điện chỉ đạt công suất tác động đầy đủ sau một thời gian nhất định. Thời gian khởi động này có thể làm ngừng lại bằng cách động dụng cụ lắp trong máy xuống sàn một lần.

### Thay đổi vị trí đục (Vario-Lock) (xem hình C)

Bạn có thể khóa mũi đục vào 12 các vị trí. Nhờ như vậy, ta có thể tạo tư thế thao tác tốt nhất cho từng ứng dụng.

- Lắp mũi đục vào trong ổ lắp dụng cụ.
- Hãy đẩy vòng điều chỉnh mũi đục (3) ra phía trước và xoay mũi đục vào vị trí mong muốn bằng vòng điều chỉnh mũi đục (3).
- Hãy nhả vòng điều chỉnh mũi đục (3) và xoay mũi đục, đến khi khớp vào.

## Hướng Dẫn Sử Dụng

### Mài bén mũi đục

Chỉ có các mũi đục sắc bén mới tạo nên kết quả tốt; Vì vậy, hãy mài bén các dụng cụ đục đúng lúc. Việc làm này đảm bảo cho tuổi thọ của dụng cụ được bền và hiệu quả công việc được tốt.

### Mài lại

Mài bén dụng cụ đục bằng đĩa mài (vd. dùng đĩa corundum gồm nên kết) cùng với nguồn nước cung cấp ổn định. Bảo đảm rằng lưỡi cắt của dụng cụ không đổi màu khi tôi hay trụi; sự đổi màu này làm suy yếu độ cứng của dụng cụ đục.

Để rèn bạn hãy làm nóng đục lên 850 đến 1050 °C (đỏ rực đến vàng).

Để hóa cứng bạn hãy làm nóng đục lên khoảng 900 °C và tôi nó trong dầu. Sau đó hãy tôi nó trong

lò khoảng một giờ ở mức 320 °C (màu ram xanh dương nhạt).

## Bảo Dưỡng và Bảo Quản

### Bảo Dưỡng Và Làm Sạch

- ▶ Trước khi tiến hành bất cứ việc gì trên máy, kéo phích cắm điện nguồn ra.
- ▶ Để được an toàn và máy hoạt động đúng chức năng, luôn luôn giữ máy và các khe thông gió được sạch.

Nếu như cần phải thay dây dẫn điện thì công việc này phải do hãng **Bosch**, hay một đại lý được **Bosch** ủy nhiệm thực hiện để tránh gặp sự nguy hiểm do mất an toàn.

- ▶ Thay chụp ngăn bụi bị hỏng ngay lập tức. Chúng tôi khuyến nghị việc thay thế này do một đại lý phục vụ hậu mãi thực hiện.

### Bôi Trơn Dụng Cụ Điện Cầm Tay

Dụng cụ điện được bôi mỡ và sẵn dùng ngay.

Sự thay mỡ bôi trơn là cần thiết chỉ trong thời gian bảo trì hay sửa chữa thông qua một đại lý chăm sóc khách hàng dụng cụ điện Bosch ủy nhiệm. Ở đây, điều chủ yếu là nơi đây sử dụng đúng loại mỡ bôi trơn do Bosch chỉ định.

Mỗi lần bạn thay đổi chổi than, bạn cần thay mỡ bôi trơn. Trước khi sử dụng mỡ bôi trơn mới, phải loại bỏ mỡ bôi trơn cũ.

### Dịch vụ hỗ trợ khách hàng và tư vấn sử dụng

#### Việt Nam

Hotline: 1900 9988 50

Bạn có thể tìm liên kết đến địa chỉ dịch vụ và điều kiện bảo hành của chúng tôi ở trang cuối.

Trong tất cả các phản hồi và đơn đặt phụ tùng, xin vui lòng luôn luôn nhập số hàng hóa 10 chữ số theo nhãn của hàng hóa.

### Sự thải bỏ

Máy, linh kiện và bao bì phải được phân loại để tái chế theo hướng thân thiện với môi trường.



Không được thải bỏ dụng cụ điện vào chung với rác sinh hoạt!

مخصص للاستعمال الخارجي من خطر الصدمات الكهربائية.

إن لم يكن بالإمكان تجنب تشغيل العدة الكهربائية في الأجواء الرطبة، فاستخدم مفتاح للوقاية من التيار المتخلف. إن استخدام مفتاح للوقاية من التيار المتخلف يقلل خطر الصدمات الكهربائية.

#### أمان الأشخاص

كن يقظا وانتبه إلى ما تفعله واستخدم العدة الكهربائية بتعقل. لا تستخدم عدة كهربائية عندما تكون متعبا أو عندما تكون تحت تأثير المخدرات أو الكحول أو الأدوية. عدم الانتباه للحظة واحدة عند استخدام العدة الكهربائية قد يؤدي إلى إصابات خطيرة.

قم لارتداء تجهيزات الحماية الشخصية. وارتد دائما نظارات واقية. يحد ارتداء تجهيزات الحماية الشخصية، كقناع الوقاية من الغبار وأحذية الأمان الواقية من الانزلاق والوذو أو واقية الأذنين، حسب ظروف استعمال العدة الكهربائية، من خطر الإصابة بجروح.

تجنب التشغيل بشكل غير مقصود. تأكد من كون العدة الكهربائية مطفأة قبل توصيلها بالتيار الكهربائي و/أو بالمركم، وقبل رفعها أو حملها. إن كنت تضع إصبعك على المفتاح أثناء حمل العدة الكهربائية أو إن وصلت الجهاز بالشبكة الكهربائية بينما لا مفتاح على وضع التشغيل، قد يؤدي إلى وقوع الحوادث.

انزع أداة الضبط أو مفتاح الربط قبل تشغيل العدة الكهربائية. قد تؤدي الأداة أو المفتاح المتواجد في جزء دوار من الجهاز إلى الإصابة بجروح.

تجنب أوضاع الجسم غير الطبيعية. قف بأمان وحافظ على توازنك دائما. سيسمح لك ذلك بالتمكّن في الجهاز بشكل أفضل في الموافف الغير متوقعة.

قم بارتداء ثياب مناسبة. لا ترتد الثياب الفضفاضة أو الحللى. احرص على إبقاء الشعر والملابس بعيدا عن الأجزاء المتحركة. قد تشابك الثياب الفضفاضة والحلى والشعر الطويل بالأجزاء المتحركة.

إن جاز تركيب تجهيزات شفت وتجميع الغبار، فتأكد من أنها موصولة وبأنه يتم استخدامها بشكل سليم. قد يقلل استخدام تجهيزات لشفت الغبار من المخاطر الناتجة عن الغبار.

لا تستخدم العدة الكهربائية بلا مبالاة وتتجاهل قواعد الأمان الخاصة بها نتيجة لتعودك على استخدام العدة الكهربائية وكثرة استخدامها. فقد يتسبب الاستخدام دون حرص في حدوث إصابة بالغة تحدث في أجزاء من الثانية.

حسن معاملة واستخدام العدد الكهربائية

لا تفرط بتحميل الجهاز. استخدم لتنفيذ أشغالك العدة الكهربائية المخصصة لذلك. إنك تعمل بشكل أفضل وأكثر أمنا بواسطة العدة الكهربائية الملائمة في مجال الأداء المذكور.

لا تستخدم العدة الكهربائية إن كان مفتاح تشغيلها تالف. العدة الكهربائية التي لم يعد من

## عربي

### إرشادات الأمان

#### الإرشادات العامة للأمان بالعدد الكهربائية

##### تحذير

اطلع على كافة تحذيرات الأمان والتعليمات والصور والمواصفات المرفقة بالعدة الكهربائية. عدم اتباع التعليمات الواردة أدناه قد يؤدي إلى حدوث صدمة كهربائية، إلى نشوب حريق و/أو الإصابة بجروح خطيرة.

احتفظ بجميع الملاحظات التحذيرية والتعليمات للمستقبل.

يقصد بمصطلح «العدة الكهربائية» المستخدم في الملاحظات التحذيرية، العدد الكهربائية الموصولة بالشبكة الكهربائية (بواسطة كابل الشبكة الكهربائية) وأيضاً العدد الكهربائية المزودة بمركم (دون كابل الشبكة الكهربائية).

#### الأمان بمكان الشغل

حافظ على نظافة مكان شغلك وإضاءته بشكل جيد. الفوضى في مكان الشغل ونطاقات العمل غير المضاة قد تؤدي إلى وقوع الحوادث.

لا تشتغل بالعدة الكهربائية في نطاق معرض لخطر الانفجار مثل الأماكن التي تتوفر فيه السوائل أو الغازات أو الأبخرة القابلة للاشتعال. العدد الكهربائية تولد شررا قد يتطاير، فيشعل الأبخرة والأبخرة.

حافظ على بقاء الأطفال وغيرهم من الأشخاص بعيدا عندما تستعمل العدة الكهربائية. تشتيت الانتباه قد يتسبب في فقدان السيطرة على الجهاز.

#### الأمان الكهربائي

يجب أن يتلائم قابس العدة الكهربائية مع المقبس. لا يجوز تغيير القابس بأي حال من الأحوال. لا تستعمل القوايس المهائنة مع العدد الكهربائية المؤرّضة (ذات طرف أرضي). تخفّض القوايس التي لم يتم تغييرها والمقابس الملائمة من خطر الصدمات الكهربائية.

تجنب ملامسة جسمك للأسطح المؤرّضة كالأنابيب والمبردات والمواقد أو التلّاجات. يزداد خطر الصدمات الكهربائية عندما يكون جسمك مؤرّض أو موصل بالأرضي.

أبعد العدة الكهربائية عن الأمطار أو الرطوبة. يزداد خطر الصدمات الكهربائية إن تسرب الماء إلى داخل العدة الكهربائية.

لا تسيّ استعمال الكابل. لا تستخدم الكابل في حمل العدة الكهربائية أو سحبها أو سحب القابس من المقبس. احرص على إبعاد الكابل عن الحرارة والزيت والحواف الحادة أو الأجزاء المتحركة. تزيد الكابلات التالفة أو المتشابكة من خطر الصدمات الكهربائية.

عند استخدام العدة الكهربائية خارج المنزل اقتصر على استخدام كابلات التمديد الصالحة للاستعمال الخارجي. يقلل استعمال كابل تمديد

- إرشادات الأمان الإضافية**
- ◀ استخدم أجهزة تنقيب ملائمة للعثور على خطوط الأمداد غير الظاهرة، أو استعن بشركة الأمداد المحلية. ملائمة الخطوط الكهربائية قد تؤدي إلى اندلاع النار وإلى الصدمات الكهربائية. حدوث أضرار بخط الغاز قد يؤدي إلى حدوث انفجارات. اختراق خط الماء يشكل الأضرار المادية أو قد يؤدي إلى الصدمات الكهربائية.
  - ◀ انتظر إلى أن تتوقف العدة الكهربائية عن الحركة قبل أن تضعها جانباً. قد تتكلم عدة الشغل فتؤدي إلى فقدان السيطرة على العدة الكهربائية.
  - ◀ احرص على تأمين قطعة الشغل. قطعة الشغل المثبتة بواسطة تجهيزه شد أو بواسطة الملزمة مثبتة بأمان أكبر مما لو تم الإمساك بها بواسطة يدك.
  - ◀ لا تقم بلمس أدوات الشغل أو أجزاء جسم الجهاز الملامسة لها بعد التشغيل مباشرة. فقد تتعرض هذه الأجزاء للسخونة أثناء التشغيل، مما يعرضك للاحتراق في حالة لمسها.
  - ◀ كن حذراً أثناء أعمال الهدم باستخدام الأزميل. قد تتسبب قطع التكسير المتساقطة في إصابة الأشخاص المحيطين بك أو إصابتك أنت نفسك.
  - ◀ أمسك العدة الكهربائية جيداً بكلتا يديك عند العمل، وحرصاً على أن تكون في وضعية ثابتة. يتم توجيه العدة الكهربائية بأمان بواسطة اليدين الاثنتين.

## وصف المنتج والأداء

- اقرأ جميع إرشادات الأمان والتعليمات.** ارتكاب الأخطاء عند تطبيق إرشادات الأمان والتعليمات، قد يؤدي إلى حدوث صدمات كهربائية أو إلى نشوب الحرائق و/أو الإصابة بجروح خطيرة.
- يرجى الرجوع إلى الصور الموجودة في الجزء الأول من دليل التشغيل.



## الاستعمال المطابق للتعليمات

الجهاز مخصص لأعمال التمث في الخرسانة والطوب والحجر والأسفلت كما أنه يصلح للدرس والدمك عند تزويده بالتوابع المطلوبة.

## الأجزاء المصورة

يشير ترقيم الأجزاء المصورة إلى الصورة المعروضة للعدة الكهربائية في صفحة الرسوم.

- (1) غطاء الوقاية من الغبار
- (2) جلبة إقفال
- (3) حلقة تغيير وضع الإزميل (تغيير/إقفال)
- (4) زر تثبيت مفتاح التشغيل والإطفاء
- (5) مفتاح التشغيل والإطفاء
- (6) مقبض (مقبض مسك معزول)
- (7) مقبض إضافي (سطح قبض معزول)

- الممكن التحكم بها عن طريق مفتاح التشغيل والإطفاء تعتبر خطيرة ويجب أن يتم إصلاحها.
- ◀ اسحب القابس من المقبس و/أو اخلع المركب، إذا كان قابلاً للخلع، قبل ضبط الجهاز وقبل استبدال الملحقات أو قبل تخزين الجهاز. تمنع هذه الإجراءات وقائية تشغيل العدة الكهربائية بشكل غير مقصود.
  - ◀ احتفظ بالعدد الكهربائية التي لا يتم استخدامها بعيداً عن متناول الأطفال. لا تسمح باستخدام العدة الكهربائية لمن لا خبرة له بها أو لمن لم يقرأ تلك التعليمات. العدد الكهربائي خطيرة إن تم استخدامها من قبل أشخاص دون خبرة.
  - ◀ اعتن بالعدة الكهربائية والملحقات بشكل جيد. تأكد أن أجزاء الجهاز المتحركة مركبة بشكل سليم وغير مستعصبة عن الحركة، وتفحص ما إن كانت هناك أجزاء مكسورة أو في حالة تؤثر على سلامة أداء العدة الكهربائية. ينبغي إصلاح هذه الأجزاء التالفة قبل إعادة تشغيل الجهاز. الكثير من الحوادث مصدرها العدد الكهربائية التي تتم صيانتها بشكل رديء.
  - ◀ احرص على إبقاء عدد القطع نظيفة وحادة. إن عدد القطع ذات حواف القطع المادة التي تم صيانتها بعناية تتكلم بشكل أقل ويمكن توجيهها بشكل أيسر.
  - ◀ استخدم العدد الكهربائية والتوابع وريش الشغل إلخ. وفقاً لهذه التعليمات. تراعى أثناء ذلك ظروف الشغل والعمل المراد تنفيذه. استخدام العدد الكهربائية لغير الأشغال المخصصة لأجلها قد يؤدي إلى حدوث الحلات الخطيرة.
  - ◀ احرص على إبقاء المقابض وأسطح المسك جافة ونظيفة وخالية من الزيوت والشحوم. المقابض وأسطح المسك الزلقة لا تتبع التشغيل والتحكم الأمان في العدة في المواقف غير المتوقعة.
- الخدمة**
- ◀ احرص على إصلاح عدتك الكهربائية فقط بواسطة العمال المتخصصين وباستعمال قطع الغيار الأصلية فقط. يضمن ذلك المحافظة على أمان الجهاز.

## إرشادات الأمان للمطارق

### تعليمات الأمان لكافة التطبيقات

- ◀ احرص على ارتداء واقيات للأذنين. التعرض للضوضاء قد يتسبب في فقدان السمع.
- ◀ استخدم المقبض (المقابض) الإضافية إذا كانت العدة مزودة بها. فقدان السيطرة على المعدة قد يتسبب في حدوث إصابات.
- ◀ أمسك العدة الكهربائية من أسطح المسك المعزولة عند القيام بأعمال قد يترتب عليها ملامسة ملحق القطع لأسلاك كهربائية غير ظاهرة أو للسلك الخاص بالمعدة نفسها. ملامسة ملحق القطع لسلك «مكهرب» قد يتسبب في مرور التيار في الأجزاء المعدنية من العدة وجعلها «مكهربة» مما قد يصيب المشغل بصدمة كهربائية.

## تقليل الغبار

تجنب العمل بدون اتخاذ تدابير لتقليل الغبار. يمكن دمج العدة الكهربائية مع ملحقات تقليل الغبار مع الشافطة الكهربائية حسب الغرض من الاستخدام. احرص دائماً على ارتداء واقي تنفس مناسب. تراعى الأحكام السارية في بلدك بالنسبة للضمان المرغوب معالجتها.

متطلبات الشافطة الكهربائية		
35	مم	القطر الاسمي الموصى به للخرطوم
230 ≤ 230 ≤	ملي بار هيكوتوباسكال	التفريغ المطلوب <sup>(A)</sup>
36 ≤ 129,6 ≤	لتر/ثانية متر <sup>3</sup> /ساعة	معدل التدفق المطلوب <sup>(A)</sup>
M <sup>(B)</sup>	فئة الغبار	كفاءة الفلتر الموصى بها

(A) قيمة الأداء عند وصلة الشافطة الكهربائية الخاصة بالعدة الكهربائية

(B) وفقاً للمعيار IEC/EN 60335-2-69

يرجى مراعاة دليل استخدام الشافطة الكهربائية. قم بإيقاف العمل عند انخفاض قدرة الشفط وتأكد من إزالة السبب.

## التشغيل

### بدء التشغيل

انتبه إلى جهد الشبكة الكهربائية! يجب أن يتطابق جهد منبع التيار مع البيانات المذكورة على لوحة صنع العدة الكهربائية.

### التشغيل والإطفاء

لغرض تشغيل العدة الكهربائية اضغط على مفتاح التشغيل والإطفاء (5) وحافظ على إبقائه مضغوطاً.

لغرض تثبيت مفتاح التشغيل/الإطفاء المضغوط (5) اضغط على زر التثبيت (4).

لغرض إطفاء العدة الكهربائية اترك مفتاح التشغيل والإطفاء (5) أو إذا كان مثبتاً عن طريق زر التثبيت (4) اضغط على مفتاح التشغيل والإطفاء (5) لوهلة قصيرة ثم اتركه.

لا تتوصل العدة الكهربائية إلى قدرة الطرق الكاملة عندما تكون درجات الحرارة منخفضة إلا بعد فترة زمنية معينة. يمكنك أن تقلل هذه الفترة الابتدائية من خلال دق عدة الشغل المركبة في العدة الكهربائية مرة واحدة بالأرض.

### تغيير وضع الإزميل (القفل المتغير Vario-lock) (انظر الصورة C)

يمكنك تثبيت الإزميل في 12 أوضاع. ويمكنك بذلك أن تتخذ وضعية الشغل الأنسب في كل حالة.

ركب الإزميل في حاضن العدة.

ادفع حلقة ضبط وضع الإزميل (3) إلى الأمام وأدر الإزميل إلى الوضع المرغوب بواسطة حلقة ضبط وضع الإزميل (3).

اترك حلقة ضبط وضع الإزميل (3) وأدر الأزميل إلى أن يثبت.

## البيانات الفنية

مطرقة دق		GSH 500
رقم الصنف		3 611 C387..
قدرة الدخل الاسمية	واط	1100
عدد الطرقات	min <sup>-1</sup>	2900
أوضاع الإزميل		12
حاضن العدة		SDS max
تزييق	تزييق بالشحم	
الوزن <sup>(A)</sup>	كجم	5,7
فئة الحماية		II/□

(A) مع مقبض إضافي (7)، دون كابل توصيل الشبكة الكهربائية

تسري البيانات على جهد اسمي [U] يبلغ 230 فولت. قد تختلف تلك البيانات حسب اختلاف الجهد والطرقات الخاصة بكل دولة.

قد تختلف القيم حسب المنتج وظروف الاستخدام والبيئة. المزيد من المعلومات على موقع الإنترنت [www.bosch-professional.com/wac](http://www.bosch-professional.com/wac).

## التركيب

◀ اسحب القابس من مقبس الشبكة الكهربائية قبل إجراء أي عمل على العدة الكهربائية.

### مقبض إضافي

◀ استخدم العدة الكهربائية فقط مع المقبض الإضافي (7).

يمكنك تحريك المقبض الإضافي (7) كما تريد للوصول إلى وضع عمل آمن ومرجع.

– أدر قطعة المقبض السفلية بالمقبض الإضافي (7) عكس اتجاه عقارب الساعة وحرك المقبض الإضافي (7) إلى الوضع المرغوب. ثم أعد ربط القطعة السفلية بالمقبض الإضافي (7) بإدارتها في اتجاه عقارب الساعة.

### استبدال العدد

يمكنك باستخدام حاضن العدة SDS max يمكنك تغيير عدة الشغل بكل سهولة وراحة دون استخدام عدد إضافية.

يعمل غطاء الوقاية من الغبار (1) على منع دخول الغبار إلى حاضن العدة أثناء الاستخدام. احرص أثناء استخدام العدة الكهربائية على عدم حدوث أضرار بغطاء الوقاية من الغبار (1).

◀ يجب تغيير غطاء الوقاية من الغبار التالف على الفور. وينصح أن يتم ذلك من قبل مركز خدمة العملاء.

### تركيب عدة الشغل (انظر الصورة A)

– نظف طرف التلقيح بعدة الشغل وشحمه قليلاً.

– ادفع لبيسة الإقفال (2) إلى الخلف ولقم عدة الشغل في حاضن العدة أثناء قفلها. أطلق لبيسة الإقفال (2) من أجل تثبيت عدة الشغل.

– تفحص ثبات الإقفال من خلال سحب العدة.

### فك عدة الشغل (انظر الصورة B)

– ادفع لبيسة الإقفال (2) إلى الخلف وانزع عدة الشغل.

لا ترم عدد الكهربية ضمن النفايات المنزلية.



## إرشادات العمل

### شذ عدد النمت

يمكن التوصل إلى نتائج جيدة بواسطة عدد النمت الحادة فقط، لذا ينبغي شذ عدد النمت في الوقت المناسب. ويضمن ذلك مدة صلاحية طويلة الأمد ونتائج شغل جيدة.

### إعادة الشذ

اشذ عدد النمت بأفراص الشذ، كالباقوت الكريم مثلاً، مع امداد منتظم بالماء. احرص على ألا تظهر ألوان ناتجة عن التلدين على حواف القطع، حيث يؤثر ذلك سلباً في صلابة الأزاميل.

من أجل **طرقه** ينبغي أن يحمي الإزميل إلى حد 850 حتى 1050 درجة مئوية (أحمر فاتح إلى أصفر).

من أجل **تصلبه** ينبغي أن تلمي الإزميل إلى حد 900 درجة مئوية تقريباً وأن تسقيه بالزيت. ثم اتركه بالفرن لمدة ساعة واحدة تقريباً عند درجة حرارة 320 درجة مئوية للتلدين (لون التلدين أزرق فاتح).

## الصيانة والخدمة

### الصيانة والتنظيف

◀ اسحب القابس من مقبس الشبكة الكهربائية قبل إجراء أي عمل على العدة الكهربائية.

◀ حافظ على نظافة العدة الكهربائية وشقوق التهوية لكي تعمل بشكل جيد وآمن.

إذا تطلب الأمر استبدال خط الإمداد، فينبغي أن يتم ذلك من قبل شركة **Bosch** أو من قبل مركز خدمة الزبائن المعتمد لشركة **Bosch** للعدد الكهربائية، لتجنب التعرض للمخاطر.

◀ يجب تغيير غطاء الوقاية من الغبار التالف على الفور. وينصح أن يتم ذلك من قبل مركز خدمة العملاء.

### تشحيم العدة الكهربائية

تم تزليق عدة الشغل بالشحم وجاهزة للتشغيل على الفور.

يجب أن يتم تغيير شحم التزليق في إطار أعمال الصيانة أو الإصلاح لدى مركز خدمة معتمد لعدد بوش الكهربائية. يجب أثناء ذلك استخدام شحم التزليق المقرر من بوش.

عند تغيير الفرش الفحمية يجب استبدال شحم التزليق أيضاً. قبل وضع شحم التزليق القديم يجب إزالة الشحم القديم.

### خدمة العملاء واستشارات الاستخدام

#### المغرب

الهاتف: +212 5 29 31 43 27

تجد الرابط إلى عناوين مراكز الخدمة الخاصة بنا وشروط الضمان في الصفحة الأخيرة.

يلزم ذكر رقم الصنف ذو الخانات العشر وفقاً للوحة صنع المنتج عند إرسال أية استفسارات أو طلبات قطع غيار.

### التخلص من العدة الكهربائية

ينبغي تسليم العدد الكهربائية والتوايح والعبوة إلى مركز معالجة النفايات بطريقة محافظة على البيئة.

مناسب برای محیط باز، خطر برق گرفتگی را کم می کنند.

◀ در صورت لزوم کار با ابزار برقی در محیط و اماکن مرطوب، باید از یک کلید حفاظتی جریان خطا و نشستی زمین (کلید قطع کننده اتصال با زمین) استفاده کنید. استفاده از کلید حفاظتی جریان خطا و نشستی زمین خطر برق گرفتگی را کاهش می دهد.

#### رعایت ایمنی اشخاص

◀ حواس خود را خوب جمع کنید، به کار خود دقت کنید و با فکر و هوشیاری کامل با ابزار برقی کار کنید. در صورت خستگی و یا در صورتی که مواد مخدر، الکل و دارو استفاده کرده‌اید، با ابزار برقی کار نکنید. یک لحظه بی توجهی هنگام کار با ابزار برقی، میتواند جراثم های شدیدی به همراه داشته باشد.

◀ از تجهیزات ایمنی شخصی استفاده کنید. همواره از عینک ایمنی استفاده نمایید.

استفاده از تجهیزات ایمنی مانند ماسک ضد گرد و غبار، کفشهای ایمنی ضد لغزش، کلاه ایمنی و گوشی محافظ متناسب با نوع کار با ابزار برقی، خطر مجروح شدن را کاهش میدهد.

◀ مواظب باشید که ابزار برقی بطور ناخواسته بکار نیفتد. قبل از وارد کردن دوشاخه دستگاه در پریز برق، اتصال آن به باتری، برداشتن آن و یا حمل دستگاه، باید دقت کنید که ابزار برقی خاموش باشد. در صورتی که هنگام حمل دستگاه انگشت شما روی دکمه قطع و وصل باشد و یا دستگاه را در حالت روشن به برق بزنید، ممکن است سوانح کاری پیش آید.

◀ قبل از روشن کردن ابزار برقی، همه ابزارهای تنظیم کننده و آپارها را از روی دستگاه بردارید. ابزار و آپارهایی که روی بخش های چرخنده دستگاه قرار دارند، میتوانند باعث ایجاد جراثم شوند.

◀ وضعیت بدن شما باید در حالت عادی قرار داشته باشد. برای کار جای مطمئنی برای خود انتخاب کرده و تعادل خود را همواره حفظ کنید. به این ترتیب میتوانید ابزار برقی را در وضعیتهای غیر منتظره بهتر تحت کنترل داشته باشید.

◀ لباس مناسب بپوشید. از پوشیدن لباسهای گشاد و حمل زینت آلات خودداری کنید. موها و لباس خود را از بخشهای در حال چرخش دستگاه دور نگه دارید. لباسهای گشاد، موی بلند و زینت آلات ممکن است در قسمتهای در حال چرخش دستگاه گیر کنند.

◀ در صورتی که تجهیزاتی برای اتصال وسائل مکش گرد و غبار و یا وسیله جمع کننده گرد و غبار ارائه شده است، باید مطمئن شوید که این وسائل درست نصب و استفاده می شوند. استفاده از وسائل مکش گرد و غبار مصونیت شما را در برابر گرد و غبار زیادتیر میکند.

◀ آشنایی با ابزار به دلیل کار کردن زیاد با آن نباید باعث سهل انگاری شما و نادیده گرفتن اصول ایمنی شود. بی دقتی ممکن است باعث بروز جراثماتی در عرض کسری از ثانیه شود.

## فارسی

### دستورات ایمنی

#### نکات ایمنی عمومی برای ابزارهای برقی

##### ⚠ هشدار

کلیه هشدارها،

دستورالعملها، تصاویر و

مشخصات ارائه شده به همراه ابزار برقی را

مطالعه کنید. اشتباهات ناشی از عدم رعایت این دستورات ایمنی ممکن است باعث برق گرفتگی، سوختگی و یا سایر جراثم های شدید شود.

کلیه هشدارهای ایمنی و راهنماییها را برای آینده خوب نگهداری کنید.

عبارت «ابزار برقی» در هشدارها به ابزارهایی که به پریز برق متصل میشوند (با سیم برق) و یا ابزارهای برقی باتری دار (بدون سیم برق) اشاره دارد.

#### ایمنی محل کار

◀ محیط کار را تمیز و روشن نگه دارید. محیطهای در هم ریخته یا تاریک احتمال بروز حادثه را افزایش میدهند.

◀ ابزار برقی را در محیطهایی که خطر انفجار وجود دارد و حاوی مایعات، گازها و بخارهای متحرکه هستند، به کار نگیرید. ابزارهای برقی چرخههایی ایجاد میکنند که میتوانند باعث آتش گرفتن گرد و غبارهای موجود در هوا شوند.

◀ هنگام کار با ابزار برقی، کودکان و سایر

افراد را از دستگاه دور نگه دارید. در

صورتیکه حواس شما پرت شود، ممکن است کنترل دستگاه از دست شما خارج شود.

#### ایمنی الکتریکی

◀ دوشاخه ابزار برقی باید با پریز برق تناسب داشته باشد. هیچگونه تغییری در دوشاخه ایجاد نکنید. مبدل دوشاخه نباید همراه با ابزار برقی دارای اتصال زمین استفاده شود. دوشاخههای اصل و تغییر داده نشده و پریزهای مناسب، خطر برق گرفتگی را کاهش میدهند.

◀ از تماس بدنی با قطعات متصل به سیم اتصال زمین مانند لوله، شوفاژ، اجاق برقی و یخچال خودداری کنید. در صورت تماس بدنی با سطوح و قطعات دارای اتصال به زمین و همچنین تماس شما با زمین، خطر برق گرفتگی افزایش می یابد.

◀ ابزارهای برقی را در معرض باران و رطوبت قرار ندهید. نفوذ آب به ابزار برقی، خطر شوک الکتریکی را افزایش میدهد.

◀ از سیم دستگاه برای مقاصد دیگر استفاده نکنید. هرگز برای حمل ابزار برقی، کشیدن آن یا خارج کردن دوشاخه از سیم دستگاه استفاده نکنید. کابل دستگاه را از حرارت، روغن، لپه‌های تیز یا قطعات متحرک دور نگه دارید. کابلهای آسیب دیده و یا گره خورده خطر شوک الکتریکی را افزایش میدهند.

◀ هنگام استفاده از ابزار برقی در محیطهای باز، تنها از کابل رابطی استفاده کنید که برای محیط باز نیز مناسب باشد. کابل های رابط

دادن کنترل بر روی ابزار میتواند باعث بروز جراثیم شود.

در صورت انجام کارهایی که امکان برخورد با کابل‌های حامل جریان برق مخفی وجود دارد، ابزار برقی را از دسته عایق بگیریید. در صورت برخورد با یک کابل حامل "جریان برق" ممکن است قسمتهای فلزی ابزار برقی حامل "جریان برق" شوند و باعث بروز شوک الکتریکی یا برق گرفتگی گردند.

#### سایر نکات ایمنی

برای پیدا کردن لوله ها و سیم های پنهان موجود در ساختمان و محدوده کار، از یک دستگاه ردیاب مخصوص برای یافتن لوله ها و سیمهای تأسیسات استفاده کنید و یا با شرکت های کارهای تأسیسات ساختمان و خدمات مربوطه تماس بگیریید. تماس با کابل و سیمهای برق ممکن است باعث آتشسوزی و یا برق گرفتگی شود. ایراد و آسیب دیدگی لوله گاز میتواند باعث انفجار شود. سوراخ شدن لوله آب، باعث خسارت و یا برق گرفتگی میشود.

قبل از کنار گذاشتن ابزار برقی صبر کنید تا دستگاه بطور کامل از کار و حرکت بایستد. ابزار ممکن است به قطعه کار گیر کرده و کنترل ابزار برقی از دست شما خارج شود.

قطعه کار را محکم کنید. در صورتیکه قطعه کار به وسیله تجهیزات نگهدارنده و یا بوسیله گیره محکم شده باشد، قطعه کار مطمئن تر نگه داشته میشود، تا اینکه بوسیله دست نگهداشته شود.

مورد استفاده پس از کار، به هیچ وجه به ابزارهای مورد استفاده یا قطعات مجاور بدنه دست نزنید. این موارد می توانند در حین کار خیلی داغ شده و باعث سوختگی گردند.

هنگام عملیات تخریب با قلم یا احتیاط عمل کنید. افتادن قطعات ناشی از مواد تخریب، می توانند به اطرافیان یا خود شما آسیب برسانند.

ابزار برقی را هنگام کار با دو دست محکم بگیریید و وضعیت خود را ثابت و مطمئن کنید. ابزار برقی با دو دست مطمئن تر هدایت می شود.

## توضیحات محصول و کارکرد

همه دستورات ایمنی و راهنماییها را بخوانید. اشتباهات ناشی از عدم رعایت این دستورات ایمنی ممکن است باعث برقگرفتگی، سوختگی و یا سایر جراثیم های شدید شود.



به تصویرهای واقع در بخشهای اول دفترچه راهنما توجه کنید.

### موارد استفاده از دستگاه

این ابزار برقی برای قلم کاری (قلم زنی) در بتن، آجر، سنگ و آسفالت مناسب بوده و همچنین با استفاده از متعلقات مناسب برای فروکردن مواد و متراکم نمائی کردن مناسب است.

### استفاده صحیح از ابزار برقی و مراقبت از آن

از وارد کردن فشار زیاد روی دستگاه خودداری کنید. برای هر کاری، از ابزار برقی مناسب با آن استفاده کنید. بکار گرفتن ابزار برقی مناسب باعث میشود که بتوانید از توان دستگاه بهتر و با اطمینان بیشتر استفاده کنید.

در صورت ایراد در کلید قطع و وصل ابزار برقی، از دستگاه استفاده نکنید. ابزار برقی که نمی توان آنها را قطع و وصل کرد، خطرناک بوده و باید تعمیر شوند.

قبل از تنظیم ابزار برقی، تعویض متعلقات و یا کنار گذاشتن آن، دوشاخه را از برق بکشید و یا باتری آنرا خارج کنید. رعایت این اقدامات پیشگیری ایمنی از راه افتادن ناخواسته ابزار برقی جلوگیری می کند.

ابزار برقی را در صورت عدم استفاده، از دسترس کودکان دور نگه دارید و اجازه ندهید که افراد ناوارد و یا اشخاصی که این دفترچه راهنما را نخواندهاند، با این دستگاه کار کنند. قرار گرفتن ابزار برقی در دست افراد ناوارد و بی تجربه خطرناک است.

از ابزار برقی و متعلقات خوب مراقبت کنید. مواظب باشید که قسمت های متحرک دستگاه خوب کار کرده و گیر نکنند. همچنین دقت کنید که قطعات ابزار برقی شکسته و یا آسیب دیده نباشند. قطعات آسیب دیده را قبل از شروع به کار تعمیر کنید. علت بسیاری از سوانح کاری، عدم مراقبت کامل از ابزارهای برقی می باشد.

ابزار برش را تیز و تمیز نگه دارید. ابزار برشی که خوب مراقبت شده و از لبه های تیز برخوردار است، کمتر در قطعه کار گیر کرده و بهتر قابل هدایت است.

ابزار برقی، متعلقات، متنهاى دستگاه و غیره را مطابق دستورات این جزوه راهنما به کار گیریید و به شرایط کاری و نوع کار نیز توجه داشته باشید. استفاده از ابزار برقی برای عملیاتی به جز مقاصد در نظر گرفته شده، میتواند به بروز شرایط خطرناک منجر شود.

دستها و سطوح عایق را همواره خشک، تمیز و عاری از روغن و گریس نگه دارید. دسته های لغزنده مانع ایمنی و کنترل در کار در شرایط غیر منتظره هستند.

#### سرویس

برای تعمیر ابزار برقی فقط به متخصصین حرفهای رجوع کنید و از قطعات یدکی اصل استفاده نمایید. این باعث خواهد شد که ایمنی دستگاه شما تضمین گردد.

### نکات ایمنی برای چکش ها

دستورالعمل های ایمنی برای انواع عملیات از گوشی ایمنی استفاده کنید. قرار گرفتن در معرض سر و صدا، میتواند به شنوایی آسیب برساند.

از دسته کمکی، در صورتی که به همراه ابزار ارائه شده است استفاده کنید. از دست

## اجزاء دستگاہ

شماره گذاری تصاویر اجزاء دستگاہ بر اساس شکل ابزار برقی در صفحه تصاویر است.

- (1) کلاہک محافظت در برابر گرد و غبار
- (2) آداپتور (سرپوش) قفل
- (3) رینگ تغییر قلم (Vario-Lock)
- (4) دکمه تثبیت کلید روشن/خاموش
- (5) کلید روشن/خاموش
- (6) دسته (دارای روکش عایق)
- (7) دسته کمکی با روکش عایق

## مشخصات فنی

چکش ضربه ای	
GSH 500	شماره فنی
3 611 C387..	توان ورودی نامی
1100	W
2900	min <sup>-1</sup>
12	وضعیت های قلم
SDS max	ابزارگیر
روان کاری با گریس	روغن کاری
5,7	وزن <sup>(A)</sup> kg
II/□	کلاس ایمنی

(A) با دسته کمکی (7)، بدون کابل اتصال برق مقادیر برای ولتاژ نامی [U] 230 ولت میباشند. برای ولتاژهای مختلف و تولیدات مخصوص کشورها، ممکن است این مقادیر، متفاوت باشند. مقادیر ممکن است بسته به محصول متفاوت باشند و بستگی به شرایط استفاده و محیطی دارند. اطلاعات بیشتر را در سایت [www.bosch-professional.com/wac](http://www.bosch-professional.com/wac) مشاهده نمایید.

## نصب

پیش از انجام هرگونه کاری بر روی ابزار الکتریکی، دوشاخه اتصال آنرا از داخل پریز برق بیرون بکشید.

## دسته کمکی

از ابزار برقی تنها با دسته ی کمکی (7) استفاده کنید.

دسته کمکی (7) را می توان به دلفواہ جهت بدست آمدن حالت کاری مطمئن و راحت چرخاند.

قسمت پایینی دسته کمکی (7) را در خلاف جهت چرخش عقربههای ساعت بچرخانید و دسته کمکی (7) را به حالت دلفواہ برانید. سپس قسمت پایینی دسته کمکی (7) را در جهت چرخش عقربههای ساعت محکم کنید.

## تعویض ابزار

توسط ابزارگیر مجهز به SDS max می توان ابزار مورد استفاده را آسان و راحت بدون استفاده از سایر ابزارآلات عوض کرد.

کلاہک محافظت در برابر گرد و غبار (1) تا حدود زیادی از نفوذ گرد و غبار به داخل ابزارگیر در حین کار جلوگیری می کند. هنگام قرار دادن ابزار دقت

کنید که کلاہک محافظت در برابر گرد و غبار (1) آسیب نبیند.

کلاہک محافظت در برابر گرد و غبار را در صورت آسیب دیدن فوراً عوض کنید. توصیه میشود اینکار را توسط تعمیرگاه مجاز (خدمات پس از فروش) انجام دهید.

## قرار دادن ابزار (رجوع کنید به تصویر A)

- انتهای ابزار را برای جاگذاری آن تمیز کرده و قسمت انتهائی آنرا کمی چرب کنید.
- آداپتور قفل (2) را به عقب برانید و ابزار را چرخان در ابزارگیر قرار دهید. آداپتور قفل (2) را دوباره رها کنید تا ابزار قفل شود.
- با کشیدن ابزار از قفل شدن آن مطمئن شوید.

## برداشتن ابزار (رجوع کنید به تصویر B)

- آداپتور قفل (2) را به عقب برانید و ابزار را چرخان از ابزارگیر بردارید.

## کاهش گرد و غبار

از کار بدون اقدامات کاهش گرد و غبار خودداری کنید. بسته به نوع کاربرد، این ابزار برقی را میتوان با متعلقات کاهش گرد و غبار به همراه جاروبرقی ترکیب کرد.

همواره از ماسک تنفسی مناسب استفاده کنید. به قوانین و مقررات کشور خود در رابطه با استفاده از مواد و قطعات کاری توجه کنید.

## الزامات جاروبرقی

35	mm	قطر نامی شیلنگ توصیه شده
230 ≤	mbar	فشار خلاء مورد نیاز <sup>(A)</sup>
230 ≤	hPa	
36 ≤	l/s	میزان جریان مورد نیاز <sup>(A)</sup>
129,6 ≤	m <sup>3</sup> /h	
کلاس گرد و غبار <sup>(M)</sup>		کارآیی فیلتر توصیه شده

(A) مقدار توان در اتصال مکش ابزار برقی طبق استاندارد IEC/EN 60335-2-69

به دستورالعمل جاروبرقی توجه کنید. در صورت کاهش قدرت مکش، کار را متوقف کنید و علت را برطرف کنید.

## طرز کار با دستگاہ

### راه اندازی و نحوه کاربرد دستگاہ

به ولتاژ برق شبکه توجه کنید! ولتاژ منبع جریان برق باید با مقادیر موجود بر روی برچسب ابزار الکتریکی مطابقت داشته باشد.

### نحوه روشن و خاموش کردن

- برای راهاندازی ابزار برقی، کلید قطع و وصل (5) را فشار داده و آنرا در حالت فشرده نگه دارید.
- برای ثابت کردن کلید قطع و وصل فشرده شده (5) دکمه ی تثبیت (4) را فشار دهید.
- جهت خاموش کردن ابزار برقی، کلید قطع و وصل (5) را رها کنید یا در صورت قفل بودن

روغنکاری مجدد تنها در چارچوب سرویس و تعمیر توسط یکی از نمایندگیهای مجاز بوش انجام می گردد. بدین منظور بایستی از روغن (گریس) مخصوص بوش استفاده شود. پس از هر بار تعویض جاروبکهای زغال، بایستی روغن تعویض شود. قبل از استفاده از روغن جدید بایستی روغن قبلی را برداشت.

### خدمات و مشاوره با مشتریان

#### ایران

تلفن: +9821- 86092057

لینک آدرس های خدمات و شرایط گارانتی ما را در صفحه آخر مشاهده نمایید.  
برای هرگونه سؤال و یا سفارش قطعات یدکی، حتماً شماره فنی 10 رقمی کالا را مطابق برچسب روی ابزار برقی اطلاع دهید.

### از رده خارج کردن دستگاه

ابزار برقی، متعلقات و بسته بندی آن، باید طبق مقررات حفظ محیط زیست از رده خارج و بازیافت شوند.

ابزارهای برقی را داخل زباله دان خانگی نیاندازید!



دکمه تثبیت (4) کلید قطع و وصل (5) را کوتاه فشار دهید و آن را رها کنید.

در دماهای پایین، ابزار برقی با تأخیر به توان ضربه زدن واقعی خود می رسد. شما می توانید این مدت راه افتادن را با یک بار کوبیدن ابزار قرار گرفته روی دستگاه به زمین کوتاه کنید.

### تغییر حالت قلم (Vario-Lock) (رجوع کنید به تصویر C)

شما میتوانید قلم را در 12 حالت تغییر دهید. به این ترتیب میتوانید بهترین حالت کار را انتخاب کنید.  
- قلم را در ابزارگیر دستگاه قرار دهید.  
- رینگ تغییر قلم (3) را به جلو برانید و با رینگ تغییر قلم (3) قلم را به حالت دلخواه بچرخانید.  
- رینگ تغییر قلم (3) را رها کنید و قلم را بچرخانید تا جا بیفتد.

### راهنمائیهای عملی

#### تیز کردن ابزار قلم کاری و تخریب

تنها ابزار تراش و قلم زنی تیز نتایج خوبی بدست میدهد، بنابراین ابزار قلم کاری را به موقع تیز کنید. این باعث افزایش طول عمر ابزار شده و نتیجه کاری خوبی به همراه دارد.

#### سایشکاری دوباره

ابزارهای قلم کاری را بوسیله صفحه ساب، مثلاً با کوراندوم مرغوب (یک نوع سنگ معدنی بسیار سفت) تحت جریان منظم آب تیز کنید. دقت کنید که لبه ها سوخته نباشند، این به سختی ابزار قلم کاری صدمه می زند.  
جهت **شکلدهی** قلم را از 850 تا 1050 °C (قرمز روشن تا زرد) داغ کنید.  
برای **آبکاری** قلم را حدود 900 °C داغ کنید و در روغن خفه کنید. سپس آن را در کوره با حرارت 320 °C (رنگ حرارتی آب روشن) قرار دهید.

## مراقبت و سرویس

### مراقبت، تعمیر و تمیز کردن دستگاه

◀ پیش از انجام هرگونه کاری بر روی ابزار الکتریکی، دوشاخه اتصال آنرا از داخل پریز برق بیرون بکشید.

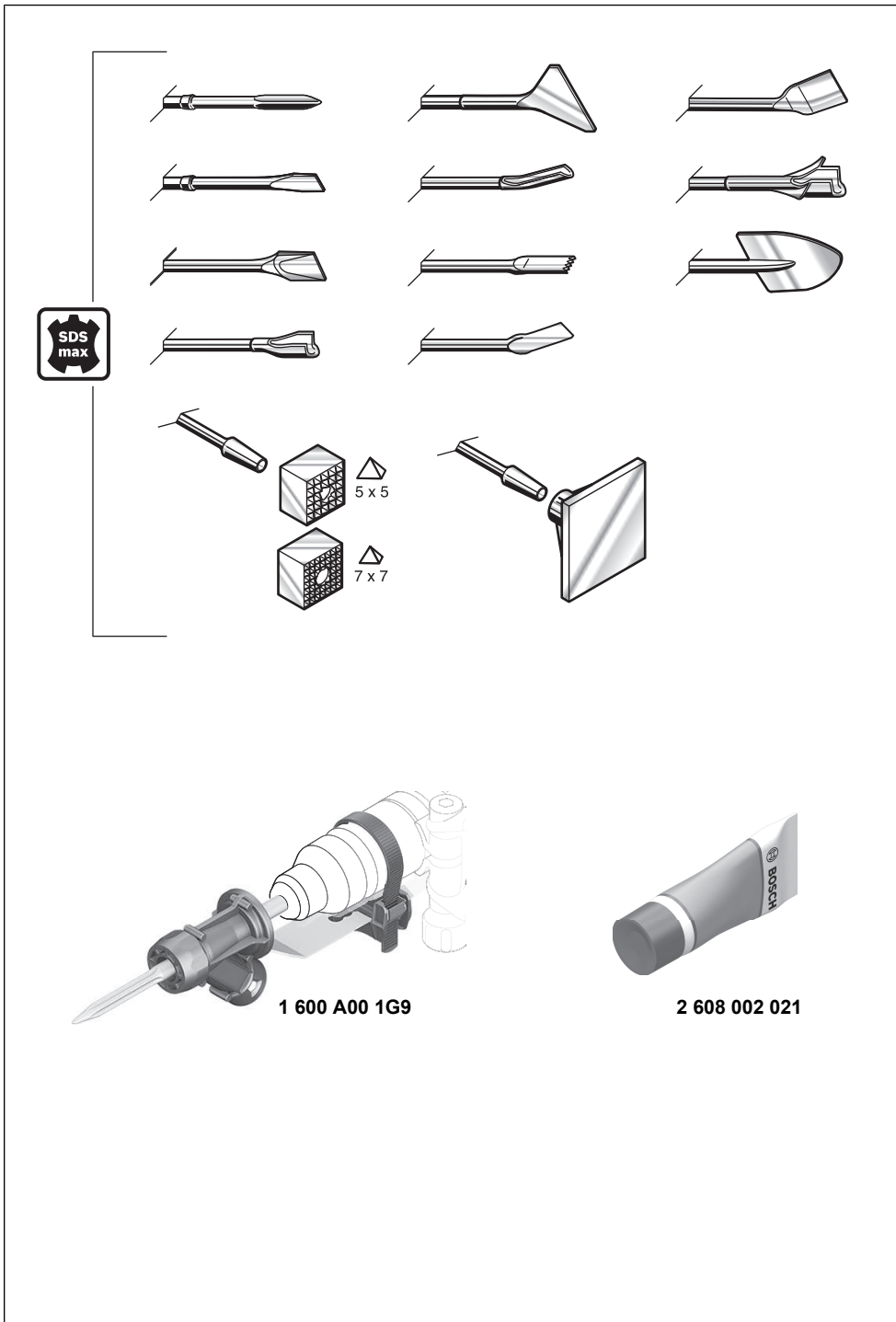
◀ ابزار برقی و شیارهای تهویه را همواره تمیز نگهدارید تا بتوان بخوبی و با اطمینان کار کرد.

در صورت نیاز به یک کابل یدکی برای اتصال به شبکه برق، بایستی به شرکت **Bosch** و یا به نمایندگی مجاز **Bosch** (خدمات پس از فروش) برای ابزار آلات برقی مراجعه کنید تا از بروز خطرات ایمنی جلوگیری بعمل آید.

◀ کلاسهک محافظت در برابر گرد و غبار را در صورت آسیب دیدن فوراً عوض کنید. توصیه میشود این کار را از طریق تعمیرگاه مجاز (خدمات پس از فروش) انجام دهید.

#### روغن کاری ابزار برقی

ابزار برقی روغنکاری شده و آماده کار است.



Servicekontakte  
Service Contacts  
Contacts de Service  
Contactos de Servicio



<https://www.bosch-pt.com/serviceaddresses>

Garantiebedingungen  
Guarantee Conditions  
Conditions de Garantie  
Condiciones de Garantía



<https://www.bosch-pt.com/guarantee/202507>