



Professional GPO 14-180 S

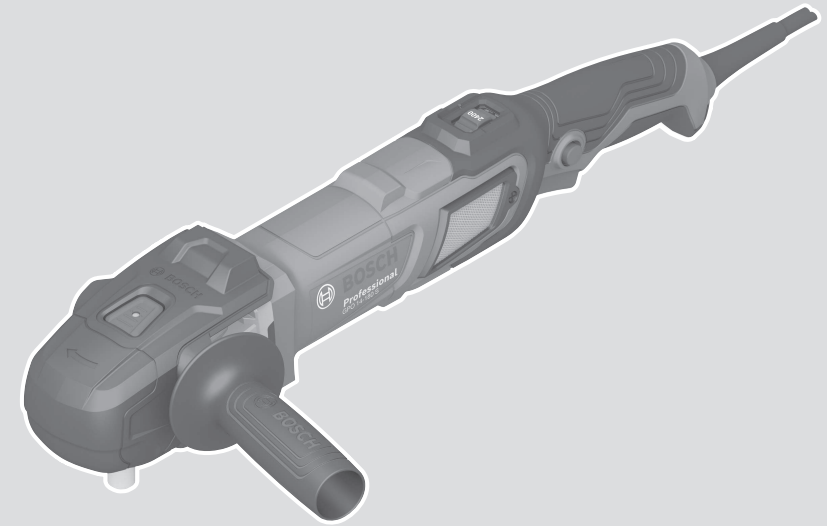
Robert Bosch Power Tools GmbH
70538 Stuttgart
GERMANY

www.bosch-pt.com

1 609 92A B6X (2025.12) 0 / 15



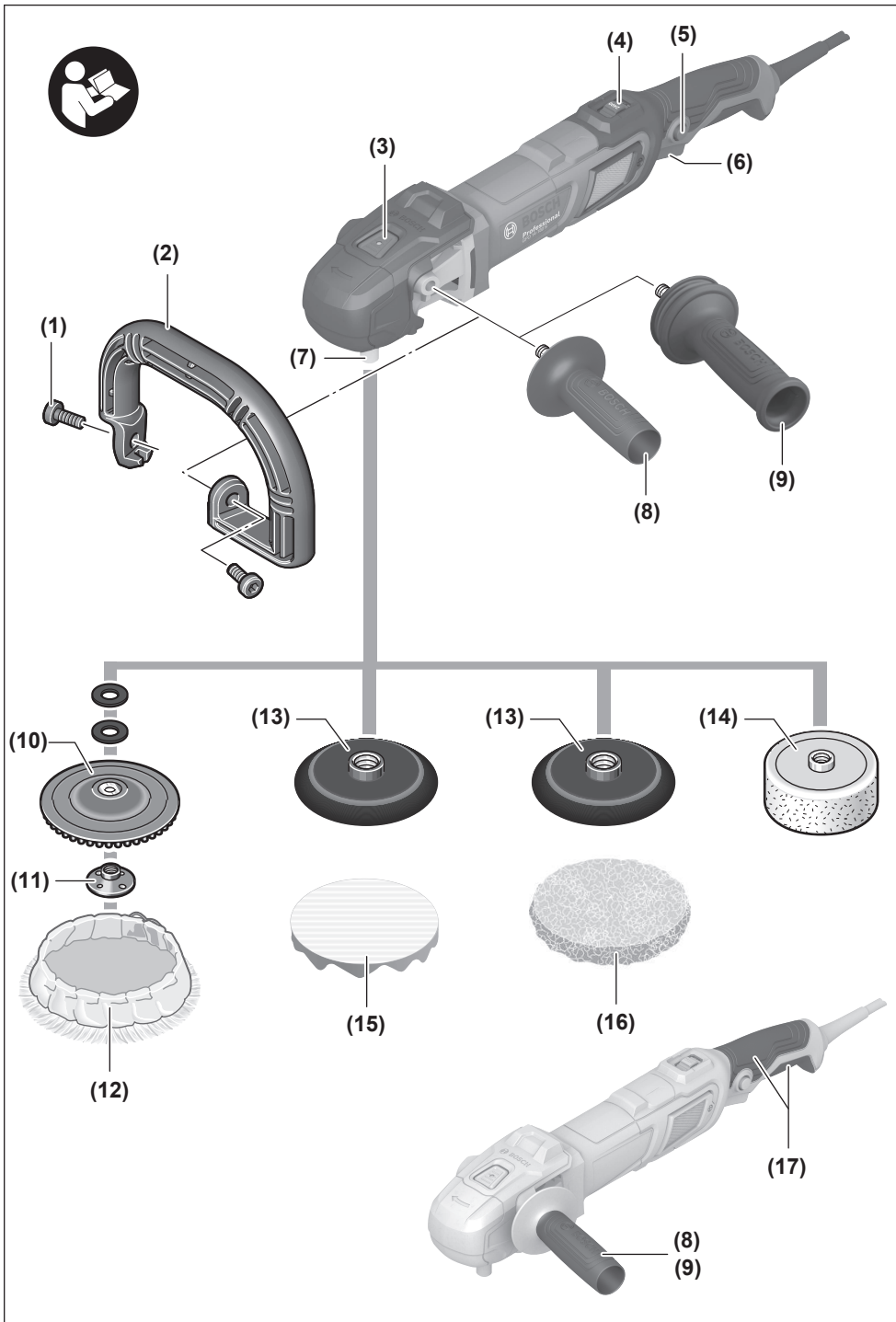
1 609 92A B6X



en Original instructions
hi मूल ऑपरेटिंग मैनुअल



English Page 4
हिंदी पेज 9



English

Safety Instructions

General Power Tool Safety Warnings

⚠ WARNING Read all safety warnings, instructions, illustrations and specifications provided with this power tool. Failure to follow all instructions listed below may result in electric shock, fire and/or serious injury.

Save all warnings and instructions for future reference.

The term "power tool" in the warnings refers to your mains-operated (corded) power tool or battery-operated (cordless) power tool.

Work area safety

- ▶ **Keep work area clean and well lit.** Cluttered or dark areas invite accidents.
- ▶ **Do not operate power tools in explosive atmospheres, such as in the presence of flammable liquids, gases or dust.** Power tools create sparks which may ignite the dust or fumes.
- ▶ **Keep children and bystanders away while operating a power tool.** Distractions can cause you to lose control.

Electrical safety

- ▶ **Power tool plugs must match the outlet. Never modify the plug in any way. Do not use any adapter plugs with earthed (grounded) power tools.** Unmodified plugs and matching outlets will reduce risk of electric shock.
- ▶ **Avoid body contact with earthed or grounded surfaces, such as pipes, radiators, ranges and refrigerators.** There is an increased risk of electric shock if your body is earthed or grounded.
- ▶ **Do not expose power tools to rain or wet conditions.** Water entering a power tool will increase the risk of electric shock.
- ▶ **Do not abuse the cord. Never use the cord for carrying, pulling or unplugging the power tool. Keep cord away from heat, oil, sharp edges or moving parts.** Damaged or entangled cords increase the risk of electric shock.
- ▶ **When operating a power tool outdoors, use an extension cord suitable for outdoor use.** Use of a cord suitable for outdoor use reduces the risk of electric shock.
- ▶ **If operating a power tool in a damp location is unavoidable, use a residual current device (RCD) protected supply.** Use of an RCD reduces the risk of electric shock.

Personal safety

- ▶ **Stay alert, watch what you are doing and use common sense when operating a power tool. Do not use a power tool while you are tired or under the influence of drugs, alcohol or medication.** A moment of inatten-

tion while operating power tools may result in serious personal injury.

- ▶ **Use personal protective equipment. Always wear eye protection.** Protective equipment such as a dust mask, non-skid safety shoes, hard hat or hearing protection used for appropriate conditions will reduce personal injuries.
- ▶ **Prevent unintentional starting. Ensure the switch is in the off-position before connecting to power source and/or battery pack, picking up or carrying the tool.** Carrying power tools with your finger on the switch or energising power tools that have the switch on invites accidents.
- ▶ **Remove any adjusting key or wrench before turning the power tool on.** A wrench or a key left attached to a rotating part of the power tool may result in personal injury.
- ▶ **Do not overreach. Keep proper footing and balance at all times.** This enables better control of the power tool in unexpected situations.
- ▶ **Dress properly. Do not wear loose clothing or jewellery. Keep your hair and clothing away from moving parts.** Loose clothes, jewellery or long hair can be caught in moving parts.
- ▶ **If devices are provided for the connection of dust extraction and collection facilities, ensure these are connected and properly used.** Use of dust collection can reduce dust-related hazards.
- ▶ **Do not let familiarity gained from frequent use of tools allow you to become complacent and ignore tool safety principles.** A careless action can cause severe injury within a fraction of a second.

Power tool use and care

- ▶ **Do not force the power tool. Use the correct power tool for your application.** The correct power tool will do the job better and safer at the rate for which it was designed.
- ▶ **Do not use the power tool if the switch does not turn it on and off.** Any power tool that cannot be controlled with the switch is dangerous and must be repaired.
- ▶ **Disconnect the plug from the power source and/or remove the battery pack, if detachable, from the power tool before making any adjustments, changing accessories, or storing power tools.** Such preventive safety measures reduce the risk of starting the power tool accidentally.
- ▶ **Store idle power tools out of the reach of children and do not allow persons unfamiliar with the power tool or these instructions to operate the power tool.** Power tools are dangerous in the hands of untrained users.
- ▶ **Maintain power tools and accessories. Check for misalignment or binding of moving parts, breakage of parts and any other condition that may affect the power tool's operation. If damaged, have the power tool repaired before use.** Many accidents are caused by poorly maintained power tools.

- ▶ **Keep cutting tools sharp and clean.** Properly maintained cutting tools with sharp cutting edges are less likely to bind and are easier to control.
- ▶ **Use the power tool, accessories and tool bits etc. in accordance with these instructions, taking into account the working conditions and the work to be performed.** Use of the power tool for operations different from those intended could result in a hazardous situation.
- ▶ **Keep handles and grasping surfaces dry, clean and free from oil and grease.** Slippery handles and grasping surfaces do not allow for safe handling and control of the tool in unexpected situations.

Service

- ▶ **Have your power tool serviced by a qualified repair person using only identical replacement parts.** This will ensure that the safety of the power tool is maintained.

Safety Instructions for Polisher

Safety warnings common for polishing operations:

- ▶ **This power tool is intended to function as a polisher. Read all safety warnings, instructions, illustrations and specifications provided with this power tool.** Failure to follow all instructions listed below may result in electric shock, fire and/or serious injury.
- ▶ **Operations such as grinding, sanding, wire brushing, hole cutting or cutting-off are not recommended to be performed with this power tool.** Operations for which the power tool was not designed may create a hazard and cause personal injury.
- ▶ **Do not convert this power tool to operate in a way which is not specifically designed and specified by the tool manufacturer.** Such a conversion may result in a loss of control and cause serious personal injury.
- ▶ **Do not use accessories which are not specifically designed and specified by the tool manufacturer.** Just because the accessory can be attached to your power tool, it does not assure safe operation.
- ▶ **The rated speed of the accessory must be at least equal to the maximum speed marked on the power tool.** Accessories running faster than their rated speed can break and fly apart.
- ▶ **The outside diameter and the thickness of your accessory must be within the capacity rating of your power tool.** Incorrectly sized accessories cannot be adequately guarded or controlled.
- ▶ **The dimensions of the accessory mounting must fit the dimensions of the mounting hardware of the power tool.** Accessories that do not match the mounting hardware of the power tool will run out of balance, vibrate excessively and may cause loss of control.
- ▶ **Do not use a damaged accessory. Before each use inspect the accessory such as abrasive wheels for chips and cracks, backing pad for cracks, tear or excess wear, wire brush for loose or cracked wires. If power tool or accessory is dropped, inspect for damage or install an undamaged accessory. After inspecting and**

installing an accessory, position yourself and bystanders away from the plane of the rotating accessory and run the power tool at maximum no-load speed for one minute. Damaged accessories will normally break apart during this test time.

- ▶ **Wear personal protective equipment. Depending on application, use face shield, safety goggles or safety glasses. As appropriate, wear dust mask, hearing protectors, gloves and workshop apron capable of stopping small abrasive or workpiece fragments.** The eye protection must be capable of stopping flying debris generated by various applications. The dust mask or respirator must be capable of filtering particles generated by the particular application. Prolonged exposure to high intensity noise may cause hearing loss.
- ▶ **Keep bystanders a safe distance away from work area. Anyone entering the work area must wear personal protective equipment.** Fragments of workpiece or of a broken accessory may fly away and cause injury beyond immediate area of operation.
- ▶ **Position the cord clear of the spinning accessory.** If you lose control, the cord may be cut or snagged and your hand or arm may be pulled into the spinning accessory.
- ▶ **Never lay the power tool down until the accessory has come to a complete stop.** The spinning accessory may grab the surface and pull the power tool out of your control.
- ▶ **Do not run the power tool while carrying it at your side.** Accidental contact with the spinning accessory could snag your clothing, pulling the accessory into your body.
- ▶ **Regularly clean the power tool's air vents.** The motor's fan will draw the dust inside the housing and excessive accumulation of powdered metal may cause electrical hazards.
- ▶ **Do not operate the power tool near flammable materials.** Sparks could ignite these materials.
- ▶ **Do not use accessories that require liquid coolants.** Using water or other liquid coolants may result in electrocution or shock.

Kickback and related warnings:

Kickback is a sudden reaction to a pinched or snagged rotating wheel, backing pad, brush or any other accessory. Pinching or snagging causes rapid stalling of the rotating accessory which in turn causes the uncontrolled power tool to be forced in the direction opposite of the accessory's rotation at the point of the binding.

For example, if an abrasive wheel is snagged or pinched by the workpiece, the edge of the wheel that is entering into the pinch point can dig into the surface of the material causing the wheel to climb out or kick out. The wheel may either jump toward or away from the operator, depending on direction of the wheel's movement at the point of pinching. Abrasive wheels may also break under these conditions.

Kickback is the result of power tool misuse and/or incorrect operating procedures or conditions and can be avoided by taking proper precautions as given below.

- ▶ **Maintain a firm grip with both hands on the power tool and position your body and arms to allow you to resist kickback forces. Always use auxiliary handle, if provided, for maximum control over kickback or torque reaction during start-up.** The operator can control torque reactions or kickback forces, if proper precautions are taken.
- ▶ **Never place your hand near the rotating accessory.** Accessory may kickback over your hand.
- ▶ **Do not position your body in the area where power tool will move if kickback occurs.** Kickback will propel the tool in direction opposite to the wheel's movement at the point of snagging.
- ▶ **Use special care when working corners, sharp edges, etc. Avoid bouncing and snagging the accessory.** Corners, sharp edges or bouncing have a tendency to snag the rotating accessory and cause loss of control or kickback.
- ▶ **Do not attach a saw chain woodcarving blade, segmented diamond wheel with a peripheral gap greater than 10 mm or toothed saw blade.** Such blades create frequent kickback and loss of control.

Safety warnings specific for polishing operations:

- ▶ **Do not allow any loose portion of the polishing bonnet or its attachment strings to spin freely. Tuck away or trim any loose attachment strings.** Loose and spinning attachment strings can entangle your fingers or snag on the workpiece.

Additional safety information



Wear safety goggles.



Hold the power tool firmly with both hands and make sure you have a stable footing. The power tool can be more securely guided with both hands.

- ▶ **Use suitable detectors to determine if utility lines are hidden in the work area or call the local utility company for assistance.** Contact with electric lines can lead to fire and electric shock. Damaging a gas line can lead to explosion. Penetrating a water line causes property damage or may cause an electric shock.
- ▶ **Release the On/Off switch and set it to the off position when the power supply is interrupted, e. g., in case of a power failure or when the mains plug is pulled.** This prevents uncontrolled restarting.
- ▶ **Secure the workpiece.** A workpiece clamped with clamping devices or in a vice is held more secure than by hand.
- ▶ **Do not hold the gearbox without the gearbox cover (plastic cover).**

Product Description and Specifications



Read all the safety and general instructions.

Failure to observe the safety and general instructions may result in electric shock, fire and/or serious injury.

Please observe the illustrations at the beginning of this operating manual.

Intended Use

The power tool is intended for polishing metal and coated surfaces as well as for polishing stone without the use of water.

Product Features

The numbering of the product features refers to the diagram of the power tool on the graphics page.

- (1) Fastening screw for bow handle^{a)}
- (2) Bow handle^{a)}
- (3) Spindle lock on button
- (4) Speed preselection thumbwheel
- (5) On/off switch locking mechanism
- (6) On/off switch
- (7) Spindle
- (8) Standard auxiliary handle (insulated gripping surface)
- (9) Vibration-damping auxiliary handle (insulated gripping surface)^{a)}
- (10) Polishing disc^{a)}
- (11) Round nut^{a)}
- (12) Lambswool bonnet for polishing disc^{a)}
- (13) Backing pad with hook-and-loop fastening^{a)}
- (14) Polishing sponge^{a)}
- (15) Polishing sponge with hook-and-loop fastening^{a)}
- (16) Polishing wool pad^{a)}
- (17) Handle (insulated gripping surface)

a) **This accessory is not part of the standard scope of delivery.**

Technical Data

Polisher	GPO 14-180 S	
Article number	3 601 C89 2..	
Rated power input	W	1400
Speed adjustment range	min ⁻¹	600–3500
Max. polishing disc diameter	mm	180
Spindle thread	M 14 / 5/8"	
Max. spindle length	mm	21
Weight ^{A)}	kg	2.3

Polisher **GPO 14-180 S**Protection class 

A) With auxiliary handle, without mains connection cable
The values given are valid for a nominal voltage [U] of 240V. For different voltages and models for specific countries, these values can vary.

Values can vary depending on the product, scope of application and environmental conditions. To find out more, visit www.bosch-professional.com/wac.

Fitting

Fitting Protective Equipment

- **Pull the plug out of the socket before carrying out any work on the power tool.**

Side handle

Screw the auxiliary handle **(8)/(9)** on the right or left of the machine head depending on the working method.

Bow handle

Attach the bow handle **(2)** to the machine head as shown in the figure.

Fitting the Polishing Tools

- **Pull the plug out of the socket before carrying out any work on the power tool.**

Clean the spindle **(7)** and all the parts to be fitted.

Lock the spindle with the spindle lock on button **(3)** before clamping and releasing the polishing tools.

- **Do not press the spindle lock on button while the spindle is moving.** The power tool may become damaged if you do this.

See the graphics page for fitting instructions.

Backing pad with hook-and-loop fastening

Firmly screw the backing pad with hook-and-loop fastening **(13)** onto the spindle **(7)**.

Press the polishing sponge pad with hook-and-loop fastening **(15)** or the polishing wool pad with hook-and-loop fastening **(16)** firmly against the underside of the backing pad with hook-and-loop fastening **(13)**.

Polishing disc



Screw on the round nut **(11)** and tighten it with the two-pin spanner. Pull the lambswool bonnet **(12)** over the polishing disc **(10)** and tighten the fastening cords.

Approved polishing tools

You can use all the polishing tools mentioned in these operating instructions.

The permissible speed [min^{-1}] or the circumferential speed [m/s] of the polishing tools used must at least match the values given in the following table.

It is therefore important to observe the permissible **rotational/circumferential speed** on the label of the polishing tool.

	max. [mm]	[mm]		
	D	b	d	[min^{-1}]
D 	180	–	–	≥ 3500

Dust/Chip Extraction

Dust from materials such as lead-containing coatings, some wood types, minerals and metal can be harmful to one's health. Touching or breathing-in the dust can cause allergic reactions and/or lead to respiratory infections of the user or bystanders.

Certain dust, such as oak or beech dust, is considered carcinogenic, especially in connection with wood-treatment additives (chromate, wood preservative). Materials containing asbestos may only be worked by specialists.

- Provide for good ventilation of the working place.

- It is recommended to wear a P2 filter-class respirator.

Observe the relevant regulations in your country for the materials to be worked.

- **Avoid dust accumulation at the workplace.** Dust can easily ignite.

Operation

Start-Up

- **Pay attention to the mains voltage.** The voltage of the power source must match the voltage specified on the rating plate of the power tool.
- **Products that are only sold in AUS and NZ:** Use a residual current device (RCD) with a nominal residual current of 30 mA or less.

When operating the power tool using a mobile generator that does not have sufficient reserve capacity or an adequate voltage control system with inrush current boost converter, loss of performance or atypical behaviour may occur upon switch-on.

Please check the suitability of the power generator you are using, particularly with regard to the mains voltage and frequency.

Switching on/off

To **start** the power tool, press the on/off switch **(6)**.

Press the lock-on button **(5)** to **lock** the on/off switch **(6)** in this position.

To **switch off** the power tool, release the on/off switch **(6)**; or, if the switch is locked, briefly press the on/off switch **(6)** and then release it.

- **Always check polishing tools before using them. The polishing tools must be fitted properly and be able to move freely. Carry out a test run for at least one minute with no load. Do not use polishing tools that are damaged, run untrue or vibrate during use.** Damaged polishing tools can burst apart and cause injuries.

Speed preselection

You can preselect the required speed using the thumbwheel for speed preselection (4), even during operation. The required speed depends on the material and the working conditions; it can be ascertained through practical tests.

Thumbwheel position	No-load speed (min ⁻¹)
1	600
2	1200
3	1800
4	2400
5	3000
6	3500

- ▶ **The rated speed of the accessory must be at least equal to the maximum speed marked on the power tool.** Accessories running faster than their rated speed can break and fly apart.

Working advice

- ▶ **Pull the plug out of the socket before carrying out any work on the power tool.**
- ▶ **Clamp the workpiece if it is not secure under its own weight.**
- ▶ **Do not load the power tool so heavily that it comes to a stop.**
- ▶ **If the power tool has been subjected to a heavy load, continue to run it at no-load for several minutes to cool down the accessory.**

Polishing

For polishing weathered lacquers and redressing scratches (e.g. acrylic glass), the power tool can be fitted with an appropriate polishing tool, e.g. lambswool bonnet, polishing felt or polishing sponge (accessory).

Select a low speed when polishing in order to avoid heating up the surface excessively.

Apply the polish to an area slightly smaller than the area which you intend to polish. Using the appropriate polishing tool, work in the polish using side-to-side or circular motions and applying moderate pressure.

Do not allow the polish to dry out on the surface; this may damage the surface. Do not expose the surface which you intend to polish to direct sunlight. Clean the polishing tools regularly to ensure good polishing results. Wash the polishing tools with mild detergent and warm water; do not use thinning agents.

Maintenance and Service

Maintenance and Cleaning

- ▶ **Pull the plug out of the socket before carrying out any work on the power tool.**
- ▶ **To ensure safe and efficient operation, always keep the power tool and the ventilation slots clean.**

- ▶ **In extreme conditions, always use a dust extractor if possible. Blow out ventilation slots frequently and install a residual current device (RCD) upstream.** When machining metals, conductive dust can settle inside the power tool, which can affect its protective insulation.

Store and handle the accessories carefully.

In order to avoid safety hazards, if the power supply cord needs to be replaced, this must be done by **Bosch** or by an after-sales service centre that is authorised to repair **Bosch** power tools.

After-Sales Service and Application Service

India

Phone: (044) 64561816

You can find the link to our service addresses and warranty conditions on the last page.

In all correspondence and spare parts orders, please always include the 10-digit article number given on the nameplate of the product.

Disposal

The power tool, accessories and packaging should be recycled in an environmentally friendly manner.



Do not dispose of power tools along with household waste.

हिंदी

सुरक्षा निर्देश

पावर टूल सुरक्षा की सामान्य चेतावनियां

⚠ चेतावनियाँ इस पावर टूल में प्रदत्त समस्त सुरक्षा चेतावनियों, निर्देशों, चित्रणों और विनिर्देशों को पढ़ें। चेतावनियों और निर्देशों का अनुसरण करने में विफल होने के परिणामस्वरूप इलेक्ट्रिक शॉक, आग लगना और/या कोई गंभीर हानि हो सकती है।

भावी संदर्भ के लिए सभी चेतावनी और निर्देश सहेंजें।

चेतावनी में दी गई टर्म "पावर टूल" आपके मुख्य तार द्वारा संचालित (तार सहित) पावर टूल या बैटरी संचालित (तार रहित) पावर टूल से संबंधित है।

कार्य क्षेत्र सुरक्षा

- ▶ **कार्य क्षेत्र साफ़ और अच्छी तरह उजला रखें।** अव्यवस्थित या अंधकारपूर्ण क्षेत्र दुर्घटनाओं को आमंत्रित करते हैं।
- ▶ **पावर टूल को विस्फोटक वातावरण जैसे कि, ज्वलनशील द्रव्यों, गैसों या राख की उपस्थिति में संचालित न करें।** पावर टूल से चिंगारी निकलती है, जो कचरे या धुएँ में आग लगा सकती है।
- ▶ **पावर टूल संचालित करते समय बच्चों और आसपास खड़े लोगों को दूर रखें।** ध्यान भंग होने के कारण आपका नियंत्रण खो सकते हैं।

विद्युत सुरक्षा

- ▶ **पावर टूल प्लग आउटलेट से मेल खाना चाहिए। प्लग को किसी भी स्थिति में न सुधारें।** ऐसे किसी एडॉप्टर का उपयोग न करें, जिसे भूसंपर्कित (ज़मीन में) पावर टूल से मेल प्लग किया गया हो। अपरिवर्तित प्लग और मेल खाते हुए आउटलेट बिजली के झटके का जोखिम कम करेंगे।
- ▶ **अर्थिंग की गई या ज़मीन पर पड़ी चीज़ों, जैसे पाइप, रेडिएटर, रेंज और रेफ्रिजरेटर के साथ संपर्क में आने से बचें।** यदि आपका शरीर ज़मीन के या ज़मीन पर पड़ी किसी वस्तु के संपर्क में आता है, तो बिजली के झटके का खतरा बढ़ जाता है।
- ▶ **पावर टूल को बारिश या गीली स्थितियों में खुला न रखें।** पावर टूल में पानी घुस जाने से बिजली का झटका लगने का खतरा बढ़ जाएगा।
- ▶ **कॉर्ड का अधिक दुरुपयोग न करें।** कॉर्ड का उपयोग कोई चीज़ ले जाने, खींचने या पावर टूल को अनप्लग करने में कभी भी न करें। कॉर्ड को ऊष्मा, तेल, तेज़ धार या गतिमान पुर्जों से दूर रखें। क्षतिग्रस्त या उलझी हुई कॉर्ड से बिजली के झटके का खतरा बढ़ जाता है।
- ▶ **पावर टूल को आउटडोर में संचालित करते समय, आउटडोर के उपयोग हेतु उपयुक्त एक्स्टेंशन कॉर्ड का उपयोग करें।** आउटडोर उपयोग के लिए उपयुक्त कॉर्ड का उपयोग करना बिजली के झटके का जोखिम कम करता है।
- ▶ **यदि पावर टूल को सीलनभरी जगह पर संचालित करना अनिवार्य हो तो, रेसीड्यूअल करंट डिवाइस (RCD) संरक्षित सप्लाइ का उपयोग करें।** का उपयोग करने से बिजली का झटका लगने का खतरा कम हो जाता है।

व्यक्तिगत सुरक्षा

- ▶ **पावर टूल संचालित करते समय सजग रहें, अपने काम पर ध्यान दें और व्यावहारिक ज्ञान का उपयोग करें।** थके होने पर या दवाओं, अल्कोहॉल या औषधि-प्रयोग के प्रभाव में होने पर पावर टूल का उपयोग न करें। पावर टूल संचालित करने के दौरान असावधान रहने पर व्यक्तिगत रूप से गंभीर चोट आ सकती है।
 - ▶ **व्यक्तिगत सुरक्षा उपकरण का उपयोग करें।** आँखों की सुरक्षा के लिए हमेशा कुछ पहनें। सुरक्षा उपकरण, जैसे धूल मास्क, फिसलन रहित सुरक्षा जूते, मज़बूत टोपी, या उचित परिस्थितियों के लिए उपयोग की जाने वाली कानों की सुरक्षा जैसे सुरक्षा उपकरण व्यक्तिगत हानि को कम कर देंगे।
 - ▶ **अनजाने में शुरु करने से बचें।** पावर सोर्स और/या बैटरी पैक को कनेक्ट करने, टूल को उठाने या ले जाने से पहले सुनिश्चित कर लें कि स्विच बंद स्थिति में है। पावर टूल ले जाते समय स्विच पर उंगली होना या चालू स्विच में पावर टूल को लगाना दुर्घटनाओं को आमंत्रित कर सकता है।
 - ▶ **पावर टूल को चालू करने से पहले किसी भी समायोजन कुंजी निकाल दें या खींच लें।** पावर टूल के घूमने वाले भाग से जुड़ी कोई कुंजी खींचने या निकालने से व्यक्तिगत हानि हो सकती है।
 - ▶ **अति-विश्वास से बचें।** हर समय पैरों को ठीक से जमाए रखें और संतुलन में रखें। ऐसा करना अनपेक्षित स्थितियों में पावर टूल के नियंत्रण को और बेहतर बनाता है।
 - ▶ **कपड़े अच्छे-से पहनें।** ढीले कपड़े या आभूषण न पहनें। अपने बालों, कपड़ों और दस्तानों को चलित पुर्जों से दूर रखें। ढीले कपड़े, आभूषण या लंबे बाल चलित पुर्जों में फँस सकते हैं।
 - ▶ **यदि उपकरण धूल निष्कर्षण और सुविधा संग्रह के कनेक्शन के लिए प्रदान किए जाते हैं, तो सुनिश्चित करें कि वो कनेक्ट हों और उचित रूप से उपयोग किए जाते हों।** धूल संग्रह का उपयोग करना धूल-संबंधी खतरों को कम कर सकता है।
 - ▶ **उपकरणों का बार-बार उपयोग करने के बाद इनके साथ अभ्यस्त होने पर उपकरण सुरक्षा सिद्धांतों को अनदेखा नहीं करें।** एक छोटी सी असावधानी कुछ ही सेकंड में गंभीर चोट का कारण बन सकती है।
- #### पावर टूल उपयोग और देखभाल
- ▶ **पावर टूल पर ज़ोर न लगाएं।** अपनी एप्लिकेशन के लिए सही पावर टूल का उपयोग करें। सही पावर टूल जिसके लिए बनाया गया था, उसके हिसाब से बेहतर और सुरक्षित कार्य करेगा।
 - ▶ **यदि स्विच चालू और बंद न होता हो, तो पावर टूल का उपयोग न करें।** ऐसा कोई भी पावर टूल जिसे स्विच से नियंत्रित नहीं किया जा सकता है, खतरनाक है और उसे सुधारा जाना चाहिए।
 - ▶ **कोई समायोजन करने, एक्सेसरीज़ बदलने या पावर टूल संग्रहीत करने के लिए पावर के स्रोत से प्लग निकालें और/या पावर टूल से बैटरी पैक निकालें, यदि अलग करने योग्य हो।** इस तरह के सुरक्षात्मक उपाय पावर टूल के अचानक चालू हो जाने के जोखिम को कम करते हैं।
 - ▶ **निष्क्रिय पावर टूल को बच्चों की पहुँच से बाहर रखें और पावर टूल चलाने के लिए बिजली के उपकरण या इन निर्देशों से अनभिज्ञ लोगों को अनुमति न दें।** अप्रशिक्षित उपयोगकर्ताओं के हाथों में पावर टूल का होना खतरनाक है।

- ▶ पावर टूल और एक्सेसरीज़ का रखरखाव करें। चलित पुर्जों के अलाइनमेंट के गड़बड़ाने या बाध्यकारी होने, पुर्जों के टूटने और ऐसी किसी भी स्थिति की जाँच करें, जो पावर टूल के संचालन को प्रभावित कर सकती है। यदि क्षतिग्रस्त है, तो उपयोग से पहले पावर टूल को सुधारना होगा। कई हादसे पावर टूल के खराब रखरखाव के कारण होते हैं।
- ▶ काटने वाले उपकरणों को तेज़ और साफ़ रखें। तेज़ कटाई की धार वाले कटिंग उपकरणों के ठीकठीक रखरखाव से इसे बाइंड करने की संभावना कम होती है और इसे नियंत्रित करना आसान होता है।
- ▶ कार्य करने की स्थितियों और कार्य निष्पादित करने के लिए, इन निर्देशों के अनुसार, पावर टूल, एक्सेसरीज़ और टूल बिट आदि का उपयोग करें। संचालन हेतु पावर टूल का इन उद्देश्यों से अलग उपयोग खतरनाक हो सकता है।
- ▶ हैंडल और ग्रासपिंग सतह को सूखा, साफ़ और ऑइल तथा ग्रीज़ से मुक्त रखें। फिसलने वाले हैंडल और ग्रासपिंग सतहों के कारण अनपेक्षित स्थितियों में टूल की सुरक्षित हैंडलिंग और नियंत्रण पर बुरा प्रभाव पड़ता है।

सेवा

- ▶ केवल समान प्रतिस्थापन भागों का उपयोग करने वाले किसी योग्य मरम्मतकर्ता द्वारा ही अपने पावर टूल की मरम्मत करवाएँ। यह सुनिश्चित करेगा कि पावर टूल की सुरक्षा का सही रखरखाव किया गया है।

पॉलिशर्स के लिए सुरक्षा निर्देश

पॉलिशिंग के काम के लिए सामान्य सुरक्षा चेतावनियाँ:

- ▶ यह पावर टूल पॉलिशर का कार्य करने के लिए दिया गया है। इस पावर टूल में प्रदत्त समस्त सुरक्षा चेतावनियों, निर्देशों, चित्रणों और विनिर्देशों को पढ़ें। चेतावनियों और निर्देशों का अनुसरण करने में विफल होने के परिणामस्वरूप इलेक्ट्रिक शॉक, आग लगना और/या कोई गंभीर हानि हो सकती है।
- ▶ धिसाई करने, समतल करने, वायर से साफ़ करने, होल कटिंग या कार्य अलग-अलग करने जैसे संचालन इस पावर टूल से नहीं करने हैं। जिन कार्यों के लिए पावर टूल नहीं बनाया गया, वे कार्य खतरे का कारण बन सकते हैं और व्यक्तिगत हानि पहुँचा सकते हैं।
- ▶ इस पावर टूल को उस तरीके से कार्य करने के लिए नहीं बदलें, जिसके लिए टूल निर्माता के द्वारा इसे विशेष रूप से बनाया और दिया गया है। टूल में ऐसे बदलाव करने से इस पर नियंत्रण कम हो सकता है और व्यक्ति को गंभीर क्षति हो सकती है।
- ▶ ऐसी एक्सेसरीज़ का उपयोग न करें जो विशेष रूप से टूल निर्माता के द्वारा डिज़ाइन और अनुशंसित नहीं है। सिर्फ़ इसलिए कि एक्सेसरी आपके पावर टूल से जुड़ सकती है, इसका मतलब यह नहीं है कि यह सुरक्षित कार्य का आधासन देती है।
- ▶ एक्सेसरी की निर्धारित गति कम से कम पावर टूल पर चिह्नित अधिकतम गति के बराबर होना चाहिए। निर्धारित गति से तेज़ चल रही एक्सेसरी टूट सकती है और अलग हो सकती है।
- ▶ आपकी एक्सेसरी का बाहरी व्यास और मोटाई आपके पावर टूल की क्षमता दर के अंदर होना चाहिए। गलत आकार की एक्सेसरी को पर्याप्त रूप से संरक्षित या नियंत्रित नहीं किया जा सकता है।

- ▶ एक्सेसरी माउन्टिंग की विमाएँ, पावर टूल के माउन्टिंग हार्डवेयर की विमाओं में फिट होनी आवश्यक हैं। ऐसी एक्सेसरीज़ जो पावर टूल के माउन्टिंग हार्डवेयर से मैच नहीं खाती है, वह एक्सेसरीज़ संतुलन खत्म कर देगी, जस्कर से ज़्यादा कंपन करेगी और नियंत्रण खोने का कारण हो सकती है।
- ▶ टूटी हुई एक्सेसरी का उपयोग न करें। हमेशा उपयोग करने से पहले एक्सेसरी जाँच लें, जैसे अग्नेसिव व्हील टूट न हों और दरार न हों, बेकिंग पेड टूटा न हो, ज़्यादा टूट-फूट न हो, वायर ब्रश ढीला न हो या वायर टूटे न हों। यदि पावर टूल या एक्सेसरी टूटी हुई है, तो नुकसान का पता लगाएँ या बिना टूटी एक्सेसरी लगाएँ। एक्सेसरी में नुकसान का पता लगाने और इन्स्टाल करने के बाद, अपने आप को और पास खड़े लोगों को धूमने वाली एक्सेसरी के पंखे से दूर करें और एक मिनट के लिए पावर टूल को बिना लोड के अधिकतम गति पर चलाएँ। क्षतिग्रस्त एक्सेसरीज़ आमतौर पर इस परीक्षण समय के दौरान टूट कर अलग हो जाएँगी।
- ▶ निजी सुरक्षा उपकरण पहनें। एप्लिकेशन के आधार पर फेस शील्ड, सुरक्षा चश्मे या सुरक्षा ग्लासेस पहनें। जैसा उपयुक्त हो, धूल से बचाने वाला मास्क, हियरिंग प्रोटेक्टर्स, दस्ताने और वर्कशॉप एप्रन पहनें जो छोटी चोट या वर्कपीस टुकड़े से बचाने में सक्षम हों। आई प्रोटेक्शन, विभिन्न कार्यों से उत्पन्न हो रहा वातावरण में मौजूद मलबा रोकने लायक होना चाहिए। धूल से बचाने वाला मास्क या श्वसन यंत्र, किसी विशेष कार्य में उत्पन्न होने वाले सूक्ष्म कणों को फिल्टर करने लायक होना चाहिए। लंबे समय तक तेज़ आवाज़ के संपर्क में आने से सुनने की क्षमता खो सकती है।
- ▶ आसपास खड़े लोगों को कार्य क्षेत्र से सुरक्षित दूरी पर रखें। कार्य क्षेत्र में प्रवेश करने वालों को निजी सुरक्षा उपकरण पहनना आवश्यक है। वर्कपीस के टुकड़े या टूटी एक्सेसरी दूर उड़ सकती हैं और ऑपरेशन के करीब वाले क्षेत्र में अत्यधिक चोट का कारण बन सकती हैं।
- ▶ कॉर्ड को स्पिनिंग एक्सेसरी से दूर रखें। यदि आप नियंत्रण खो देते हैं, तो कॉर्ड कट या खिंच सकती है और आपका हाथ या भुजा स्पिनिंग एक्सेसरी में खिंच सकती है।
- ▶ जब तक एक्सेसरी पूरी तरह से बंद न हो जाए, तब तक पावर टूल को कभी भी नीचे न रखें। स्पिनिंग एक्सेसरी सतह पर आ सकती है और पावर टूल आपके नियंत्रण से बाहर जा सकता है।
- ▶ स्पिनिंग व्हील को अपनी तरफ़ ले जाते समय, पावर टूल न चलाएँ। स्पिनिंग एक्सेसरी के आकस्मिक संपर्क से, यह आपके शरीर को एक्सेसरी की ओर खींचते हुए आपके कपड़ों को खींच सकता है।
- ▶ पावर टूल के वायु छिद्रों को नियमित रूप से साफ़ करें। मोटर फैन घर के अंदर की धूल को खींच लेगा और पिंसी हुई धातु के अत्यधिक संचय से बिजली के खतरे उत्पन्न हो सकते हैं।
- ▶ पावर टूल को ज्वलनशील सामान के पास संचालित न करें। चिगारी से इस सामान में आग लग सकती है।
- ▶ उन एक्सेसरी का उपयोग न करें जिसमें लिक्विड कूलन्ट की आवश्यकता होती है। पानी या अन्य लिक्विड कूलन्ट के उपयोग का नतीजा बिजली से मौत या झटका हो सकता है।

किकबैक और संबंधित चेतावनियाँ:

किकबैक संकुचित या चीरे हुए रोटेटिंग व्हील, बैकिंग पैड, ब्रश या किसी भी अन्य एक्सेसरी की तत्काल प्रतिक्रिया है। संकुचित या चीरा होना रोटेटिंग एक्सेसरी के तत्काल बंद होने का कारण हो सकता है, परिणामस्वरूप अनियंत्रित पावर टूल बाइन्डिंग के समय एक्सेसरी के रोटेशन की विपरीत दिशा में धकेले जाते हैं। उदाहरण के लिए, अगर अपघर्षक पहिया वस्तु से फट जाता है या उसमें छेद हो जाते हैं, इससे छेद में जाने वाला पहिए का किनारा सामान की सतह को खोद सकता है जिससे पहिया बाहर निकाला जा सकता है। संकुचन के समय पहिये की गति की दिशा पर निर्भर करता है कि पहिया ऑपरेटर की तरफ जा सकता है या दूर जा सकता है। अपघर्षक पहिए इन परिस्थितियों में टूट भी सकते हैं।

किकबैक पावर टूल के दुरुपयोग और/या गलत संचालन प्रक्रियाओं या परिस्थितियों का नतीजा है और इसे नीचे बताई गई उचित सावधानियों की मदद से बचा जा सकता है।

- ▶ **पावर टूल को दोनों हाथों से कसकर पकड़े रखें और अपने शरीर और भुजाओं को इस स्थिति में रखें कि आप वापस लग रहे बल को रोक पाएँ। स्टार्ट-अप के दौरान किकबैक या टॉर्क की प्रतिक्रियाओं पर अधिकतम नियंत्रण के लिए, हमेशा सहायक हैंडल का इस्तेमाल करें।** अगर उचित सावधानी बरती जाए, तो ऑपरेटर टॉर्क प्रतिक्रियाओं या किकबैक के प्रभाव को नियंत्रित कर सकता है।
- ▶ **अपने हाथ को कभी भी घूमने वाली एक्सेसरी के पास न रखें।** एक्सेसरी आपके हाथ पर प्रहार कर सकती है।
- ▶ **किकबैक होने पर जहाँ पावर टूल जाएगा, उस क्षेत्र में न जाएँ।** किकबैक स्नैगिंग पर व्हील की गति के विपरीत टूल को ढकेलेगा।
- ▶ **कोनों, कोनों, धारदार किनारों, इत्यादि पर सावधानी बरतें।** एक्सेसरी ऊपर उठने और रूकने से बचें। कोनों, धारदार किनारों या बाउंस वाली एक्सेसरी में घूमने वाली एक्सेसरी को खींचने की प्रवृत्ति होती है और इससे आपका नियंत्रण खो सकता है या यह किकबैक कर सकता है।
- ▶ **काटने की जंजीर लगी हुई वुडकार्विंग ब्लेड, बाहरी भाग पर 10 मिमी से अधिक की दूरी के अलग-अलग खंड वाला डायमंड व्हील या खाँचे वाली आरी का ब्लेड नहीं जोड़ें।** ऐसी ब्लेड लगातार किकबैक और नियंत्रण में क्षति पैदा करती हैं।

चिकनाई करने के कार्यों के लिए विशिष्ट सुरक्षा चेतावनियाँ:

- ▶ **पॉलिशिंग बोनट या इसकी संलग्न स्ट्रिंग्स के किसी भी ढीले हिस्से को स्वतंत्र रूप से घूमने की अनुमति न दें। कोई भी ढीली संलग्न स्ट्रिंग्स को काटे या छाँटे।** ढीली और घूमने वाली संलग्न स्ट्रिंग्स आपकी उंगलियों पर उलझ सकती है या वर्कपीस पर रोड़ा डाल सकती हैं।

अतिरिक्त सुरक्षा निर्देश

कृपया अपना सुरक्षा चश्मा पहनें।



पावर टूल को दोनों हाथों से मजबूती से पकड़ें और पैर को अच्छी तरह एक सुरक्षित जगह पर टिकायें। पावर टूल को दोनों हाथों से सुरक्षित चलाया जाता है।

- ▶ **छिपी हुई आपूर्ति लाइनों का पता लगाने के लिए उपयुक्त खोज यंत्रों का प्रयोग करें अथवा स्थानीय आपूर्ति कंपनी से परामर्श करें।** बिजली लाइनों के साथ संपर्क में आने से आग या बिजली के झटके के कारण हो सकते हैं। गैस लाइन के क्षतिग्रस्त होने से स्फोट का खतरा हो सकता है। पानी के लाइन में घुसने पर वस्तुओं का नाश या बिजली के झटके लग सकते हैं।
- ▶ **जब बिजली चली जाए या खींचने कि वजह से बिजली बंद हो जाए तब ऑन-ऑफ़ करनेवाली बटन खोलकर उसे बंद पर लाइए।** यह एक अनियंत्रित पुनारारंभ रोकता है।
- ▶ **जिस हिस्से पर काम होना है उसे सुरक्षित कर लें।** हात से ज्यादा एक तनाव उपकरण या शिकंजे से कसे कार्य घटक अधिक सुरक्षित होता है।
- ▶ **गियरबॉक्स कवर (प्लास्टिक कवर) के बिना गियरबॉक्स को पकड़ें नहीं।**

उत्पाद और सेवा का विवरण

सभी सुरक्षा चेतावनियाँ और निर्देश सुरक्षा चेतावनियों और निर्देशों का पालन नहीं करने पर बिजली का झटका, आग और गंभीर चोट लगने का खतरा है।

कृपया संचालन निर्देश के अगले भाग में दिए गए चित्रों पर ध्यान दें।

लक्षित उद्देश्य के लिए उपयोग

यह पावर टूल धातु और पेंट की गई सतहों को चमकाने तथा पानी के उपयोग के बिना पत्थर पीसने के लिए बनाया गया है।

चित्रित घटक

चित्रित घटकों की नंबरिंग ग्राफिक पेज पर पावर टूल के चित्रण को संदर्भित करती है।

- (1) बो के हैंडल के लिए फिक्सिंग पेंच^{a)}
- (2) बो हैंडल^{a)}
- (3) धुरी का लॉक बटन
- (4) हैंड व्हील गति का पूर्व चयन
- (5) चालू/बंद स्विच का लॉकिंग
- (6) चालू/ बंद स्विच
- (7) धुरी
- (8) सहायक हैंडल (इंसुलेटेड हैंडल सतहें)
- (9) कंपन-डैमिंग अतिरिक्त हैंडल (इंसुलेटेड ग्रिप सतह^{a)})
- (10) पॉलिशिंग फ्लेट^{a)}
- (11) गोल नट^{a)}
- (12) पॉलिशिंग फ्लेट के लिए लैम्बस्किन कवर^{a)}
- (13) वेल्को वाली सपोर्ट फ्लेट^{a)}
- (14) पॉलिशिंग स्पंज^{a)}
- (15) वेल्को से पॉलिशिंग स्पंज^{a)}
- (16) पॉलिशिंग उन^{a)}
- (17) हैंडल (इंसुलेट की गई हैंडल सतह)

a) यह एक्सेसरी डिलीवरी के मानक दायरे में शामिल नहीं हैं।

तकनीकी डेटा

पॉलिशर	GPO 14-180 S	
आर्टिकल संख्या	3 601 C89 2..	
नाममात्र बिजली की खपत	W	1400
गति की सेटिंग रेंज	/मि	600-3500
पॉलिशिंग प्लेट का अधिकतम व्यास	मिमी	180
धुरी के थ्रेड	M 14 / 5/8"	
स्पिंडल की अधिकतम लम्बाई	मिमी	21
वजन ^{A)}	किग्रा	2,3
सुरक्षा श्रेणी	□ / II	

A) अतिरिक्त हैंडल के साथ, बिना पावर कॉर्ड के आंकड़े 240 V के रेटेड वोल्टेज [U] के लिए हैं। यह जानकारी विभिन्न वोल्टेज और देश विशिष्ट संस्करणों के लिए भिन्न हो सकती है।
मूल्य उत्पाद के अनुसार अलग हो सकते हैं और ये उपयोग और पर्यावरण की स्थितियों पर आधारित हैं। अधिक जानकारी के लिए देखें www.bosch-professional.com/wac.

मोंटा**सुरक्षात्मक उपकरण उपयोग करें**

► पावर टूल पर कोई कार्य करते समय प्लग को सॉकेट से निकाल लें।

अतिरिक्त हैंडल

गियर हेड के दाईं या बाईं ओर कार्य पद्धति के आधार पर (8)/ (9) अतिरिक्त हैंडल कसें।

बो हैंडल

चित्र में दिखाए अनुसार (2) बो हैंडल को गियर हेड से जोड़ें।

पॉलिशिंग उपकरणों को असेंबल करना

► पावर टूल पर कोई कार्य करते समय प्लग को सॉकेट से निकाल लें।

धुरी (7) और असेंबल करने के सभी भागों को साफ करें। पॉलिशिंग उपकरण को स्थापित करने में मदद करने के लिए धुरी को कसने या ढीला करने के लिए धुरी- लॉक बटन (3) दबाएं।

► स्पिंडल लॉक बटन केवल तभी दबाएं जब घर्षण धुरी ठहराव पर हो। अन्यथा, पावर टूल क्षतिग्रस्त हो सकता है। स्थापना के क्रम को ग्राफिक पृष्ठ पर दिखाया गया है।

वेलक्रो वाली सपोर्ट प्लेट

वेलक्रोका उपयोग करके सपोर्ट प्लेट को (13) स्पिंडल (7) पर मजबूती से कसें।

वेलक्रो (15) वाले पॉलिशिंग स्पंज या वेलक्रो (16) वाले पॉलिशिंग ऊन को वेलक्रो (13) वाले सपोर्ट प्लेट के नीचे मजबूती से दबाएं।

पॉलिशिंग प्लेट

गोल नट (11) पर पेंच और दो-छेद रिंच के साथ कस लें। (12) पॉलिशिंग प्लेट पर (10) लैम्बरिस्कन कवर को खींचें और बांधने वाली डोरियों को कस दें।

स्वीकार्य पॉलिशिंग उपकरण

आप सभी जानेमाने पॉलिशिंग उपकरणों के लिए यह ऑपरेटिंग निर्देश इस्तेमाल कर सकते हैं।

इस्तेमाल किए गए पिसाई उपकरण की अनुमत गति [किमान -1] या प्रारंभिक गति [मि/से] निम्नलिखित तालिका में दिए गए किमान पुष्टियों से मिलने चाहिए।

इसलिए, पॉलिशिंग उपकरण के लेबल पर दी गई अनुमेय गति या परिधीय गति का ध्यान रखें।

	अधिकतम [मिमी]	[मिमी]	
	D	b	d
D	180	-	-
			≥ 3500

**धूल / चिप वैक्यूम निष्कर्षण**

सामग्री की धूल जैसे युक्त लीड पेंट, कुछ लकड़ी की प्रजातियों, खनिज एवं धातु हानिकारक हो सकते हैं। ऐसी धूल को स्पर्श करने या सांस लेने के परिणामस्वरूप उपयोगकर्ता अथवा संपर्क में आने वाले व्यक्तियों को एलर्जी प्रतिक्रिया हो सकती है और/ अथवा धसन संबंधी बीमारी हो सकती है।

विशिष्ट धूल जैसे ओक या बीच की धूल के रूप में विशेष रूप से लकड़ी उपचार के लिए योजकों का संयोजन किए हुए कार्सिनोजन (क्रोमेट, परिरक्षक लकड़ी), वर्गीकृत किए गए हैं। एसबेस्टस युक्त सामग्री पर केवल विशेषज्ञों द्वारा काम किया जा सकता है।

- कार्यस्थल के लिए अच्छा वेंटिलेशन प्रदान करें।
- यह फ़िल्टर वर्ग P2 के साथ एक सुरक्षात्मक मास्क पहनने के लिए सिफारिश की गई है।

जिन सामग्रियों पर काम करना है, उनके संदर्भ में अपने देश में लागू प्रावधानों का ध्यान रखें।

► कार्य स्थल पर धूल को जमा न होने दें। धूल में आसानी से आग लग सकती है।

संचालन**प्रथम शुरुआत**

► **वोल्टेज नोट करें!** पावर का स्रोत का वोल्टेज दर्जा प्लेट पर विनिर्देशों के बजली के उपकरण से मेल खाना चाहिए।

जब बिजली उपकरण मोबाइल जनरेटर (जनरेटर), जो पर्याप्त कार्य भंडारण उपयुक्त वोल्टेज विनियमन, कार्य क्षमता के अवक्रमण कारण हो सकते हैं या जब आप चालू करें व्यवहार हो सकता है।

कृपया ध्यान दें जनरेटर आपके द्वारा, और विशेष रूप से साधन वोल्टेज आवृत्ति के संबंध में प्रयुक्त की उपयुक्तता।

चालू करना/बंद करना

पावर टूल्स को संचालन में लाने के लिए, चालू/बंद स्विच दबाएं (6)।

दबे हुए चालू/बंद स्विच (6) को स्थिर रखने के लिए लॉकिंग कुंजी (5) को दबाएं।

बिजली उपकरण को बंद करने के लिए, चालू / बंद स्विच (6) जारी करें या, अगर यह बंद है, तो संक्षेप में चालू / बंद स्विच (6) दबाएं और फिर इसे छोड़ दें।

- ▶ उपयोग करने से पहले पॉलिशिंग टूल की जांच करें। पॉलिशिंग टूल को सही ढंग से माउंट किया जाना चाहिए और स्वतंत्र रूप से घूमने में सक्षम होना चाहिए। कम से कम 1 मिनट के लिए लोड के बिना एक परीक्षण चलाएं। क्षतिग्रस्त, गोलाकार ना होने वाले या कंपनी वाले पॉलिशिंग टूल का उपयोग न करें। क्षतिग्रस्त पॉलिशिंग टूल्स फट सकते हैं और चोट का कारण बन सकते हैं।

गति का पूर्व चयन

गति चुनाव चक्री (4) आवश्यक गति कूपरेशन के दौरान चुन सकते हैं। आवश्यक गति सामग्री और कार्य स्थितियों पर आधारित है और इसे प्रेक्टिकल ट्रायल के माध्यम से निर्धारित किया जा सकता है।

स्थिति हैन्ड व्हील	लोड-रहित संचालन गति (/मि)
1	600
2	1200
3	1800
4	2400
5	3000
6	3500

- ▶ एक्सेसरी की निर्धारित गति कम से कम पावर टूल पर चिह्नित अधिकतम गति के बराबर होना चाहिए। निर्धारित गति से तेज़ चल रही एक्सेसरी टूट सकती है और अलग हो सकती है।

कार्य निर्देश

- ▶ पावर टूल पर कोई कार्य करते समय प्लग को सॉकेट से निकाल लें।
- ▶ वर्कपीस को कसें, जब तक की यह अपने वजन के सापेक्ष सुरक्षित नहीं हो जाता।
- ▶ पावर टूल को बहुत ज्यादा लोड नहीं करें, कि वह एकदम ही बंद हो जाए।
- ▶ पावर टूल का अधिक उपयोग करने के बाद उसे ठंडा होने के लिए कुछ मिनट उपयोग में नहीं लाएं।

पॉलिशिंग

पुराने पेंटवर्क को पॉलिश करने या खरोंच को हटाने के लिए (जैसे ऐक्रेलिक ग्लास पर), पावर टूल को उपयुक्त पॉलिशिंग टूल के साथ लगाया जा सकता है, जैसे कि लैम्बसवूल पॉलिशिंग कैप, पॉलिशिंग फ्लीस या स्पंज (एक्सेसरीज) से सुसज्जित किया जा सकता है।

सतह के अत्यधिक ताप से बचने के लिए पॉलिश करते समय कम गति का चयन करें।

पॉलिश को थोड़ा छोटे क्षेत्र में लगाएं जितना आप पॉलिश करना चाहते हैं। क्रॉसवाइज या गोलाकार हिलाकर और मध्यम दबाव के साथ एक उपयुक्त पॉलिशिंग टूल का उपयोग करके सतह में पॉलिशिंग एजेंट का काम करें।

पॉलिशिंग एजेंट को सतह पर सूखने न दें, क्योंकि इससे सतह को नुकसान हो सकता है। पॉलिश किए जाने वाले क्षेत्र को सीधे धूप के सम्पर्क में न लाएं। अच्छे पॉलिशिंग परिणाम सुनिश्चित करने के लिए पॉलिशिंग टूल को नियमित रूप से साफ करें। पॉलिशिंग टूल को हल्के डिटर्जेंट और गर्म पानी से साफ करें; किसी भी सॉल्वेंट्स का उपयोग न करें।

देखभाल एवं सर्विस

देखभाल एवं सफाई

- ▶ पावर टूल पर कोई कार्य करते समय प्लग को सॉकेट से निकाल लें।
- ▶ अच्छी तरह काम करने के लिए और सुरक्षा के लिए, पावर टूल्स एवं वेंटिलेशन स्लॉट्स को साफ रखें।
- ▶ दुष्कर कार्य परिस्थितियों में, यदि संभव हो तो, हमेशा एक निकास इकाई का उपयोग करें। वेंटिलेशन स्लॉट को बार-बार बाहर करें और एक बाह्य कनेक्ट ब्रेकर (PRCD) कनेक्ट करें। धातुओं के प्रसंस्करण में, प्रवाहकीय धूल पावर टूल के अंदर प्रवेश कर सकते हैं। पावर टूल के सुरक्षात्मक इन्सुलेशन में बिगड़ा हो सकता है।

एक्सेसरीज को ध्यान से संग्रहण एवं प्रबंधन करें।

कनेक्शन केबल को बदलने की आवश्यकता पड़ने पर, सुरक्षा से सम्बंधित खतरों एवं जोखिमों से बचने के लिए इसे सिर्फ Bosch द्वारा या Bosch ग्राहक सेवा केंद्र द्वारा बदला जाना चाहिए या उनके द्वारा अधिकृत किया जाना चाहिए।

ग्राहक सेवा एवं उपयोग सलाह

भारत

फ़ोन: (044) 64561816

हमारे सेवा पते और वारंटी शर्तों का लिंक अंतिम पृष्ठ पर पाया जा सकता है।

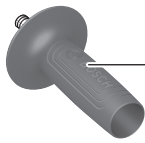
पत्राचार के दौरान तथा स्पेयर पुर्जों का ऑर्डर देते समय, उत्पाद के लेबल पर दर्ज 10 अंको वाली आर्टिकल संख्या अवश्य प्रदान करें।

निपटान

पावर टूल्स, सहायक उपकरणों और पैकेजिंग का पुनर्चक्रण पर्यावरण के अनुकूल किया जाना चाहिए।

बिजली उपकरणों का निपटान घरेलू कचरे में न करें!

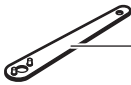




1 619 P16 111



1 602 025 0A0



1 607 950 048



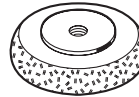
Ø 180 mm
2 608 601 209 (M14)
1 619 PS5 957 (5/8")



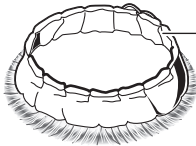
Ø 160 mm
1 608 613 013



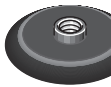
1 603 345 004 (M14)
1 619 PS5 958 (5/8")



Ø 140 mm
2 608 608 305
Ø 180 mm
1 608 612 002



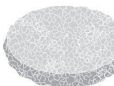
Ø 180 mm
1 608 610 000



Ø 150 mm 2 608 612 027



Ø 170 mm 2 608 612 023 Hard
Ø 170 mm 2 608 612 024 Medium
Ø 170 mm 2 608 612 025 Soft



2 608 612 026



1 619 P07 614 (M16)

Servicekontakte
Service Contacts
Contacts de Service
Contactos de Servicio



<https://www.bosch-pt.com/serviceaddresses>

Garantiebedingungen
Guarantee Conditions
Conditions de Garantie
Condiciones de Garantía



<https://www.bosch-pt.com/guarantee/202507>