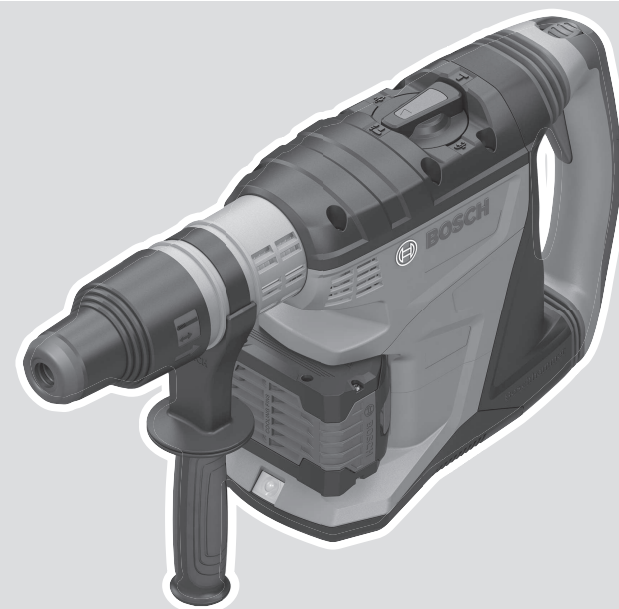




 **BOSCH**

GBH 18V-40 C Professional HEAVY DUTY



Robert Bosch Power Tools GmbH
70538 Stuttgart
GERMANY

www.bosch-pt.com

1 609 92A 88Y (2022.10) PS / 121

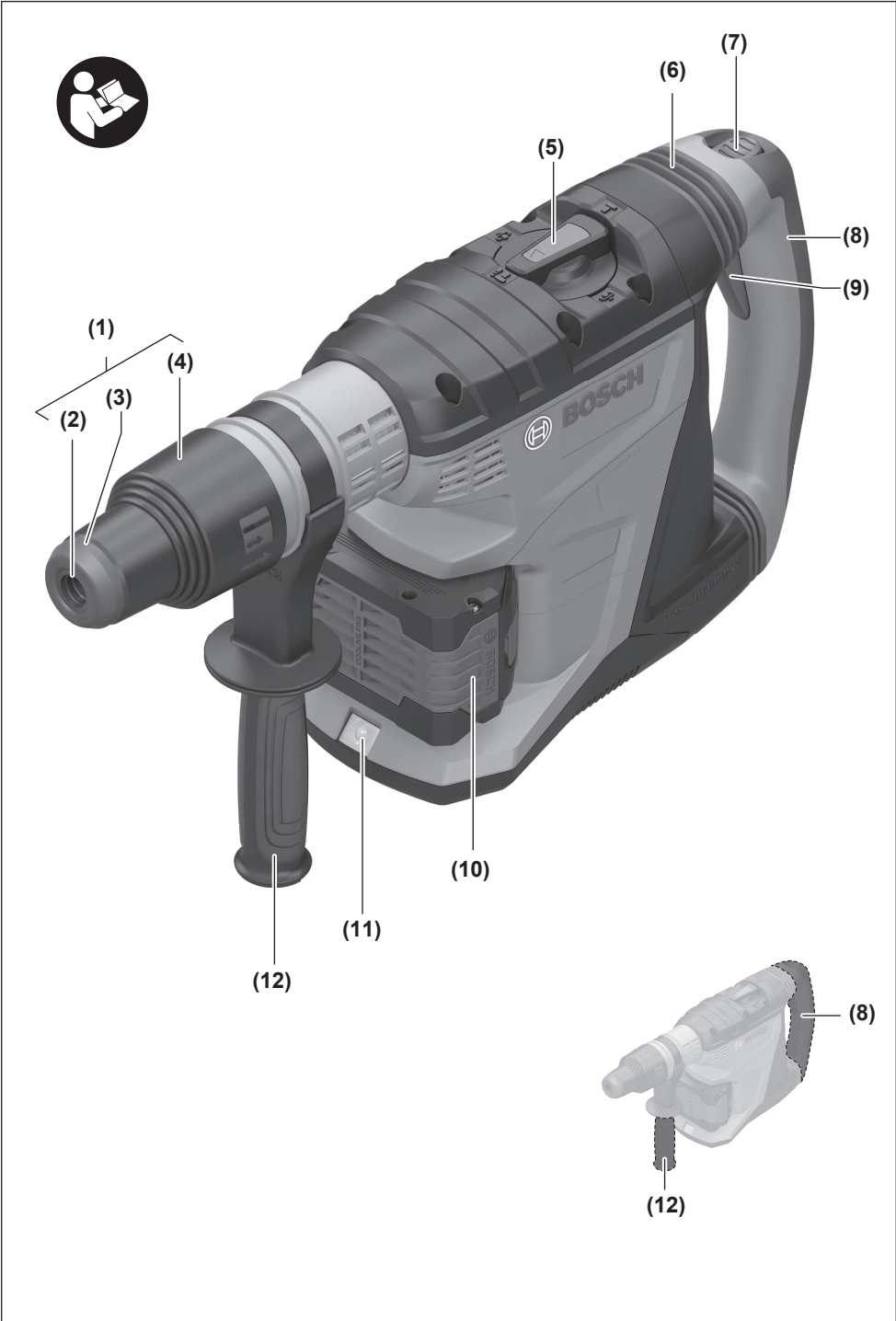


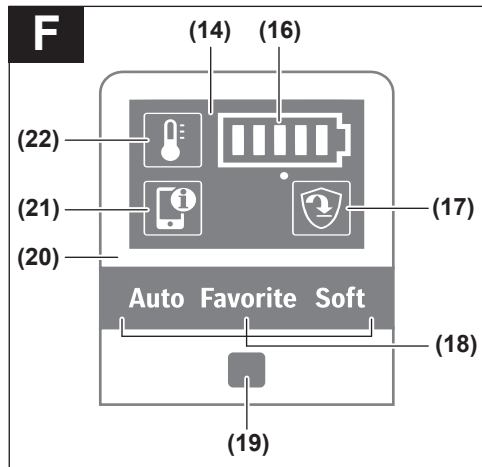
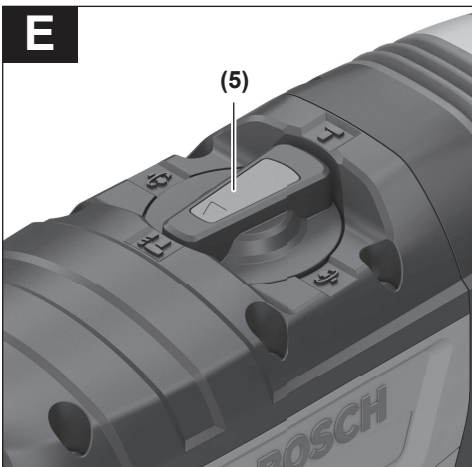
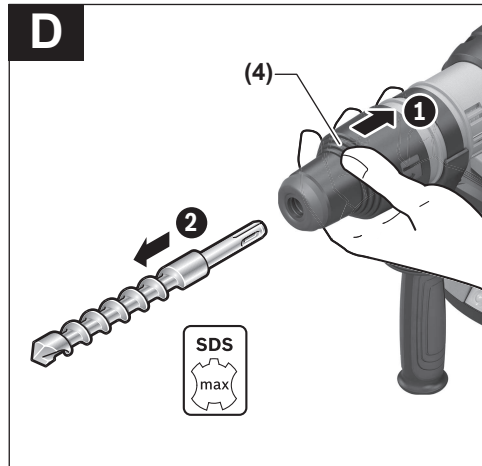
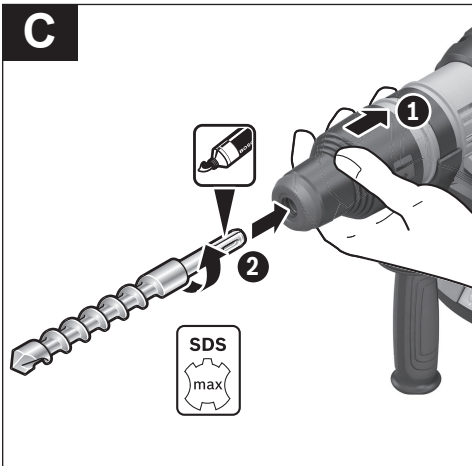
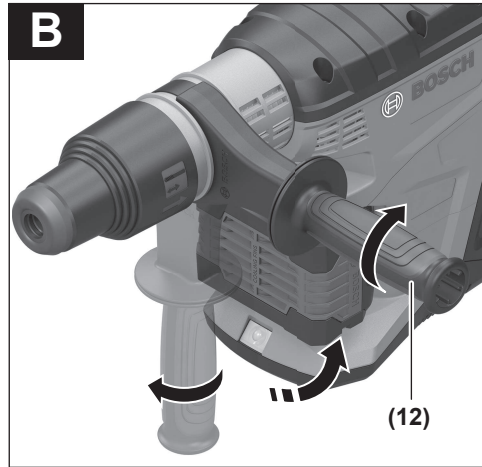
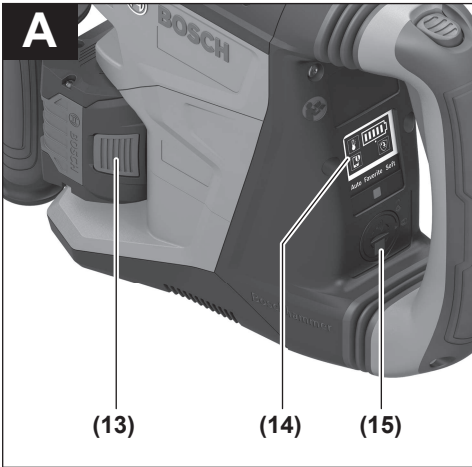
1 609 92A 88Y

- en Original instructions
- fr Notice originale
- pt Manual original
- es Manual original
- pt Manual de instruções original
- zh 正本使用说明书
- zh 原始使用說明書
- th หนังสือคู่มือการใช้งานฉบับต้นแบบ
- id Petunjuk-Petunjuk untuk Penggunaan Orisinal
- vi Bản gốc hướng dẫn sử dụng
- ar دليل التشغيل الأصلي
- fa دفترچه راهنمای اصلی



English	Page	5
Français	Page	13
Português	Página	23
Español	Página	33
Português do Brasil	Página	43
中文	頁	53
繁體中文	頁	61
ไทย	หน้า	68
Bahasa Indonesia	Halaman	79
Tiếng Việt	Trang	88
عربي	الصفحة	99
فارسی	صفحه	109





English

Safety instructions

General Power Tool Safety Warnings

⚠ WARNING Read all safety warnings, instructions, illustrations and specifications provided with this power tool. Failure to follow all instructions listed below may result in electric shock, fire and/or serious injury.

Save all warnings and instructions for future reference.

The term "power tool" in the warnings refers to your mains-operated (corded) power tool or battery-operated (cordless) power tool.

Work area safety

- ▶ **Keep work area clean and well lit.** Cluttered or dark areas invite accidents.
- ▶ **Do not operate power tools in explosive atmospheres, such as in the presence of flammable liquids, gases or dust.** Power tools create sparks which may ignite the dust or fumes.
- ▶ **Keep children and bystanders away while operating a power tool.** Distractions can cause you to lose control.

Electrical safety

- ▶ **Power tool plugs must match the outlet. Never modify the plug in any way. Do not use any adapter plugs with earthed (grounded) power tools.** Unmodified plugs and matching outlets will reduce risk of electric shock.
- ▶ **Avoid body contact with earthed or grounded surfaces, such as pipes, radiators, ranges and refrigerators.** There is an increased risk of electric shock if your body is earthed or grounded.
- ▶ **Do not expose power tools to rain or wet conditions.** Water entering a power tool will increase the risk of electric shock.
- ▶ **Do not abuse the cord. Never use the cord for carrying, pulling or unplugging the power tool. Keep cord away from heat, oil, sharp edges or moving parts.** Damaged or entangled cords increase the risk of electric shock.
- ▶ **When operating a power tool outdoors, use an extension cord suitable for outdoor use.** Use of a cord suitable for outdoor use reduces the risk of electric shock.
- ▶ **If operating a power tool in a damp location is unavoidable, use a residual current device (RCD) protected supply.** Use of an RCD reduces the risk of electric shock.

Personal safety

- ▶ **Stay alert, watch what you are doing and use common sense when operating a power tool. Do not use a power tool while you are tired or under the influence of drugs, alcohol or medication.** A moment of inatten-

tion while operating power tools may result in serious personal injury.

- ▶ **Use personal protective equipment. Always wear eye protection.** Protective equipment such as a dust mask, non-skid safety shoes, hard hat or hearing protection used for appropriate conditions will reduce personal injuries.
- ▶ **Prevent unintentional starting. Ensure the switch is in the off-position before connecting to power source and/or battery pack, picking up or carrying the tool.** Carrying power tools with your finger on the switch or energising power tools that have the switch on invites accidents.
- ▶ **Remove any adjusting key or wrench before turning the power tool on.** A wrench or a key left attached to a rotating part of the power tool may result in personal injury.
- ▶ **Do not overreach. Keep proper footing and balance at all times.** This enables better control of the power tool in unexpected situations.
- ▶ **Dress properly. Do not wear loose clothing or jewellery. Keep your hair and clothing away from moving parts.** Loose clothes, jewellery or long hair can be caught in moving parts.
- ▶ **If devices are provided for the connection of dust extraction and collection facilities, ensure these are connected and properly used.** Use of dust collection can reduce dust-related hazards.
- ▶ **Do not let familiarity gained from frequent use of tools allow you to become complacent and ignore tool safety principles.** A careless action can cause severe injury within a fraction of a second.

Power tool use and care

- ▶ **Do not force the power tool. Use the correct power tool for your application.** The correct power tool will do the job better and safer at the rate for which it was designed.
- ▶ **Do not use the power tool if the switch does not turn it on and off.** Any power tool that cannot be controlled with the switch is dangerous and must be repaired.
- ▶ **Disconnect the plug from the power source and/or remove the battery pack, if detachable, from the power tool before making any adjustments, changing accessories, or storing power tools.** Such preventive safety measures reduce the risk of starting the power tool accidentally.
- ▶ **Store idle power tools out of the reach of children and do not allow persons unfamiliar with the power tool or these instructions to operate the power tool.** Power tools are dangerous in the hands of untrained users.
- ▶ **Maintain power tools and accessories. Check for misalignment or binding of moving parts, breakage of parts and any other condition that may affect the power tool's operation. If damaged, have the power tool repaired before use.** Many accidents are caused by poorly maintained power tools.

- ▶ **Keep cutting tools sharp and clean.** Properly maintained cutting tools with sharp cutting edges are less likely to bind and are easier to control.
- ▶ **Use the power tool, accessories and tool bits etc. in accordance with these instructions, taking into account the working conditions and the work to be performed.** Use of the power tool for operations different from those intended could result in a hazardous situation.
- ▶ **Keep handles and grasping surfaces dry, clean and free from oil and grease.** Slippery handles and grasping surfaces do not allow for safe handling and control of the tool in unexpected situations.

Battery tool use and care

- ▶ **Recharge only with the charger specified by the manufacturer.** A charger that is suitable for one type of battery pack may create a risk of fire when used with another battery pack.
- ▶ **Use power tools only with specifically designated battery packs.** Use of any other battery packs may create a risk of injury and fire.
- ▶ **When battery pack is not in use, keep it away from other metal objects, like paper clips, coins, keys, nails, screws or other small metal objects, that can make a connection from one terminal to another.** Shorting the battery terminals together may cause burns or a fire.
- ▶ **Under abusive conditions, liquid may be ejected from the battery; avoid contact. If contact accidentally occurs, flush with water. If liquid contacts eyes, additionally seek medical help.** Liquid ejected from the battery may cause irritation or burns.
- ▶ **Do not use a battery pack or tool that is damaged or modified.** Damaged or modified batteries may exhibit unpredictable behaviour resulting in fire, explosion or risk of injury.
- ▶ **Do not expose a battery pack or tool to fire or excessive temperature.** Exposure to fire or temperature above 130°C may cause explosion.
- ▶ **Follow all charging instructions and do not charge the battery pack or tool outside the temperature range specified in the instructions.** Charging improperly or at temperatures outside the specified range may damage the battery and increase the risk of fire.

Service

- ▶ **Have your power tool serviced by a qualified repair person using only identical replacement parts.** This will ensure that the safety of the power tool is maintained.
- ▶ **Never service damaged battery packs.** Service of battery packs should only be performed by the manufacturer or authorized service providers.

Hammer Safety Warnings

Safety instructions for all operations

- ▶ **Wear ear protectors.** Exposure to noise can cause hearing loss.

- ▶ **Use auxiliary handle(s), if supplied with the tool.** Loss of control can cause personal injury.
- ▶ **Hold the power tool by insulated gripping surfaces, when performing an operation where the cutting accessory may contact hidden wiring.** Cutting accessory contacting a "live" wire may make exposed metal parts of the power tool "live" and could give the operator an electric shock.

Safety instructions when using long drill bits with rotary hammers

- ▶ **Always start drilling at low speed and with the bit tip in contact with the workpiece.** At higher speeds, the bit is likely to bend if allowed to rotate freely without contacting the workpiece, resulting in personal injury.
- ▶ **Apply pressure only in direct line with the bit and do not apply excessive pressure.** Bits can bend, causing breakage or loss of control, resulting in personal injury.

Additional safety information

- ▶ **Use suitable detectors to determine if there are hidden supply lines or contact the local utility company for assistance.** Contact with electric cables can cause fire and electric shock. Damaging gas lines can lead to explosion. Breaking water pipes causes property damage.
- ▶ **Always wait until the power tool has come to a complete stop before placing it down.** The application tool can jam and cause you to lose control of the power tool.
- ▶ **Secure the workpiece.** A workpiece clamped with clamping devices or in a vice is held more secure than by hand.
- ▶ **In case of damage and improper use of the battery, vapours may be emitted. The battery can set alight or explode.** Ensure the area is well ventilated and seek medical attention should you experience any adverse effects. The vapours may irritate the respiratory system.
- ▶ **Do not open the battery.** There is a risk of short-circuiting.
- ▶ **The battery can be damaged by pointed objects such as nails or screwdrivers or by force applied externally.** An internal short circuit may occur, causing the battery to burn, smoke, explode or overheat.
- ▶ **Only use the battery with products from the manufacturer.** This is the only way in which you can protect the battery against dangerous overload.



Protect the battery against heat, e.g. against continuous intense sunlight, fire, dirt, water and moisture. There is a risk of explosion and short-circuiting.



- ▶ **Do not touch any application tools or adjacent housing components shortly after operation.** These can become very hot during operation and cause burns.
- ▶ **The application tool may jam during drilling. Make sure you have a stable footing and hold the power tool firmly with both hands.** Otherwise you could lose control of the power tool.

- ▶ **Take care when carrying out demolition work using the chisel.** Falling fragments of the demolition material could injure you or any bystanders.
- ▶ **Hold the power tool firmly with both hands and make sure you have a stable footing.** The power tool can be more securely guided with both hands.
- ▶ **Caution! When using the power tool with Bluetooth®, a fault may occur in other devices and systems, aeroplanes and medical devices (e.g. pacemakers, hearing aids). Also, damage to people and animals in the immediate vicinity cannot be completely excluded. Do not use the power tool with Bluetooth® in the vicinity of medical devices, petrol stations, chemical plants, areas with a potentially explosive atmosphere or in blasting areas. Do not use the power tool with Bluetooth® in aircraft. Avoid using the product near your body for extended periods.**

The Bluetooth® word mark and logos are registered trademarks owned by Bluetooth SIG, Inc. and any use of such marks by Robert Bosch Power Tools GmbH is under license.

Symbols

The following symbols may be important for the operation of your power tool. Please take note of these symbols and their meaning. Correctly interpreting the symbols will help you to operate the power tool more effectively and safely.

Symbols and their meaning



To change the application tool, pull back the locking sleeve.



Product Description and Specifications



Read all the safety and general instructions.

Failure to observe the safety and general instructions may result in electric shock, fire and/or serious injury.

Technical Data

Cordless rotary hammer		GBH 18V-40 C	GBH 18V-40 C
Article number		3 611 J17 0..	3 611 J17 1..
Rated voltage	V=	18	18
Impact rate ^{a)}	min ⁻¹	0–3130	0–3130
Impact energy per stroke according to EPTA-Procedure 05:2016	J	9.0	9.0
Rated speed	min ⁻¹	0–360	0–360
Tool holder		SDS-max	SDS-max
Bluetooth® Low Energy Module GCY 42		● ^{b)}	— ^{c)}

Please observe the illustrations at the beginning of this operating manual.

Intended Use

The power tool is intended for hammer drilling in concrete, masonry and stone, as well as for chiselling work.

With the Bluetooth® Low Energy Module **GCY 42** inserted, power tool data and settings can be transferred between the power tool and a mobile device by means of Bluetooth® wireless technology.

Product Features

The numbering of the product features refers to the diagram of the power tool on the graphics page.

- (1) SDS max drill chuck
- (2) SDS max tool holder
- (3) Dust protection cap
- (4) Locking sleeve
- (5) Mode selector switch
- (6) Vibration damping
- (7) Lock-on button for on/off switch
- (8) Handle (insulated gripping surface)
- (9) On/off switch
- (10) Rechargeable battery^{a)}
- (11) Worklight
- (12) Auxiliary handle (insulated gripping surface)
- (13) Rechargeable battery release button^{a)}
- (14) User Interface
- (15) Cover for GCY 42 Bluetooth® Low Energy Module
- (16) Battery charge indicator (user interface)
- (17) Rapid shut-off indicator (user interface)
- (18) Working modes indicator (user interface)
- (19) Button to select the working mode (user interface)
- (20) Power tool status indicator (user interface)
- (21) Smartphone symbol (user interface)
- (22) Temperature indicator (user interface)

a) **Accessories shown or described are not included with the product as standard. You can find the complete selection of accessories in our accessories range.**

Cordless rotary hammer		GBH 18V-40 C	GBH 18V-40 C
Max. drilling diameter:			
– Concrete	mm	40	40
– Concrete (with hollow core bit)	mm	90	90
Weight according to EPTA-Procedure 01:2014 ^{D)}	kg	7.4–8.4	7.4–8.4
Length	mm	502	502
Height	mm	253	253
Recommended ambient temperature during charging	°C	0 to +35	0 to +35
Permitted ambient temperature during operation ^{E)} and during storage	°C	–20 to +50	–20 to +50
Compatible rechargeable batteries		GBA 18V... ProCORE18V...	GBA 18V... ProCORE18V...
Recommended rechargeable batteries for maximum performance		ProCORE18V... ≥ 5.5 Ah	ProCORE18V... ≥ 5.5 Ah
Recommended chargers		GAL 18... GAX 18... GAL 36...	GAL 18... GAX 18... GAL 36...
Data transfer			
<i>Bluetooth</i> [*]		<i>Bluetooth</i> [*] 4.2 (Low Energy) ^{F)}	<i>Bluetooth</i> [*] 4.2 (Low Energy) ^{F)}
Signal interval	s	8	8
Max. signal range ^{G)}	m	30	30

A) Measured at 20–25 °C with rechargeable battery **GBA 18V 8.0Ah**.

B) Pre-assembled

C) Can be retrofitted

D) Depends on battery in use

E) Limited performance at temperatures < 0 °C and > 40 °C

F) The mobile devices must be compatible with *Bluetooth*^{*} Low Energy devices (version 4.2) and support the Generic Access Profile (GAP).

G) The signal range may vary greatly depending on external conditions, including the receiving device used. The *Bluetooth*^{*} range may be significantly weaker inside closed rooms and through metallic barriers (e.g. walls, shelving units, cases, etc.).

Noise/Vibration Information

Noise emission values determined according to **EN IEC 62841-2-6**.

Typically, the A-weighted noise level of the power tool is: Sound pressure level **93** dB(A); sound power level **104** dB(A). Uncertainty $K = 4$ dB.

Wear hearing protection!

Vibration total values a_h (tri-ax vector sum) and uncertainty K determined according to **EN IEC 62841-2-6**:

Hammer drilling into concrete: $a_h = 7.5$ m/s², $K = 1.5$ m/s²,
Chiselling: $a_h = 7.0$ m/s², $K = 1.5$ m/s²,

The vibration level and noise emission value given in these instructions have been measured in accordance with a standardised measuring procedure and may be used to compare power tools. They may also be used for a preliminary estimation of vibration and noise emissions.

The stated vibration level and noise emission value represent the main applications of the power tool. However, if the power tool is used for other applications, with different application tools or is poorly maintained, the vibration level

and noise emission value may differ. This may significantly increase the vibration and noise emissions over the total working period.

To estimate vibration and noise emissions accurately, the times when the tool is switched off or when it is running but not actually being used should also be taken into account. This may significantly reduce vibration and noise emissions over the total working period.

Implement additional safety measures to protect the operator from the effects of vibration, such as servicing the power tool and application tools, keeping their hands warm, and organising workflows correctly.

Rechargeable battery

Bosch sells some cordless power tools without a rechargeable battery. You can tell whether a rechargeable battery is included with the power tool by looking at the packaging.

Charging the battery

- **Use only the chargers listed in the technical data.** Only these chargers are matched to the lithium-ion battery of your power tool.

Note: Lithium-ion rechargeable batteries are supplied partially charged according to international transport regulations. To ensure full rechargeable battery capacity, fully charge the rechargeable battery before using your tool for the first time.

Inserting the Battery

Push the charged battery into the battery holder until it clicks into place.



Removing the Battery

To remove the rechargeable battery, press the battery release button and pull the battery out. **Do not use force to do this.**

The rechargeable battery has two locking levels to prevent the battery from falling out if the battery release button is pressed unintentionally. The rechargeable battery is held in place by a spring when fitted in the power tool.

Battery charge indicator

The green LEDs on the battery charge indicator indicate the state of charge of the battery. For safety reasons, it is only possible to check the state of charge when the power tool is not in operation.

Press the button for the battery charge indicator  or  to show the state of charge. This is also possible when the battery is removed.

If no LED lights up after pressing the button for the battery charge indicator, then the battery is defective and must be replaced.

The state of charge of the battery is also displayed on the user interface Status indications.

Battery model GBA 18V...



LED	Capacity
3 × continuous green light	60–100 %
2 × continuous green light	30–60 %
1 × continuous green light	5–30 %
1 × flashing green light	0–5 %

Battery model ProCORE18V...



LED	Capacity
5 × continuous green light	80–100 %
4 × continuous green light	60–80 %
3 × continuous green light	40–60 %

LED	Capacity
2 × continuous green light	20–40 %
1 × continuous green light	5–20 %
1 × flashing green light	0–5 %

Recommendations for Optimal Handling of the Battery

Protect the battery against moisture and water.

Only store the battery within a temperature range of –20 to 50 °C. Do not leave the battery in your car in the summer, for example.

Occasionally clean the ventilation slots on the battery using a soft brush that is clean and dry.

A significantly reduced operating time after charging indicates that the battery has deteriorated and must be replaced. Follow the instructions on correct disposal.

Assembly

- **Remove the battery from the power tool before carrying out work on the power tool (e.g. maintenance, changing tool, etc.). The battery should also be removed for transport and storage.** There is risk of injury from unintentionally pressing the on/off switch.
- **Before carrying out any work on the power tool (e.g. maintenance, tool change, etc.) as well as during transport and storage, press the lock-on button to lock the on/off switch.** There is risk of injury from unintentionally pressing the on/off switch.

Inserting the *Bluetooth*® Low Energy Module GCY 42 (Accessory)

Read the corresponding operating instructions for information about the *Bluetooth*® Low Energy Module **GCY 42**.

Auxiliary handle

- **Do not operate your power tool without the auxiliary handle (12).**
- **Make sure that the auxiliary handle is always tightened.** Otherwise you could lose control of the power tool when working.

Swivelling the auxiliary handle (see figure B)

You can swivel the auxiliary handle (12) to any angle for a safe work posture that minimises fatigue.

- Turn the lower gripping end of the auxiliary handle (12) anticlockwise and swivel the auxiliary handle (12) into the required position. Then turn the lower gripping end of the auxiliary handle (12) clockwise to retighten it. Make sure that the retaining strap of the auxiliary handle slots into the corresponding groove of the housing.

Selecting drill chucks and tools

For hammer drilling and chiselling, you will need SDS max tools, which insert into the SDS max drill chuck.

Changing the Tool

The dust protection cap (3) largely prevents the penetration of drilling dust into the tool holder during operation. When inserting the tool, make sure that the dust protection cap (3) does not become damaged.

- ▶ **Replace a damaged dust protection cap immediately. It is recommended that you have use an after-sales service for this.**

Changing the Tool (SDS max)

Inserting the Application Tool (see figure C)

With the SDS-max tool holder, you can change the application tool simply and easily without additional aids.

- Clean and lightly grease the shank of the application tool.
- Push the locking sleeve (4) back and insert the application tool by turning it into the tool holder. Release the locking sleeve (4) to lock the application tool.
- Check that it is locked by pulling on the tool.

Removing the application tool (see figure D)

- Push the locking sleeve (4) back and remove the application tool.

Dust/Chip Extraction

Dust from materials such as lead-containing coatings, some wood types, minerals and metal can be harmful to one's health. Touching or breathing-in the dust can cause allergic reactions and/or lead to respiratory infections of the user or bystanders.

Certain dust, such as oak or beech dust, is considered carcinogenic, especially in connection with wood-treatment additives (chromate, wood preservative). Materials containing asbestos may only be worked by specialists.

- Provide for good ventilation of the working place.
 - It is recommended to wear a P2 filter-class respirator.
- Observe the relevant regulations in your country for the materials to be worked.

- ▶ **Avoid dust accumulation at the workplace.** Dust can easily ignite.

Operation

Start-up

- ▶ Ensure that the cover (15) of the *Bluetooth*® Low Energy Module GCY 42 is closed during operation. This will prevent dust from getting in.

Setting the Operating Mode (see figure E)

The operating mode of the power tool is selected using the mode selector switch (5).

- To change the operating mode, turn the mode selector switch (5) to the required position.

Note: Only change the operating mode when the power tool is switched off. Otherwise, the power tool may become damaged.

Note: If you switch to a different operating mode while the on/off switch is locked, the power tool will switch off.



Position for **hammer drilling**

If the application tool does not start rotating straight away, run the power tool slowly until the application tool starts rotating.



Vario-Lock position for changing the chiselling position



Position for **chiselling**

Switching On/Off

- If necessary, release the lock-on button (7) for the on/off switch.
- To **switch on** the power tool, press the on/off switch (9). The worklight (11) lights up when the on/off switch (9) is lightly or fully pressed, allowing the work area to be illuminated in poor lighting conditions.
- To **switch off** the power tool, release the on/off switch (9).

For low temperatures, the power tool reaches the full hammer/impact capacity only after a certain time.

Adjusting the Speed/Impact Rate

You can adjust the speed/impact rate of the power tool when it is on by pressing in the on/off switch (9) to varying extents.

Applying light pressure to the on/off switch (9) results in a low rotational speed/impact rate. Applying increasing pressure to the switch increases the speed/impact rate.

You can also control the speed on the user interface and/or via a smartphone app: .

Changing the chiselling position (Vario-Lock)

You can lock the chisel in 16 different positions, allowing you to select the optimum working position for each task.

- Insert the chisel into the tool holder.
- Turn the mode selector switch (5) to the "drilling" position.
- Turn the application tool to the required chisel position.
- Turn the mode selector switch (5) to the "chiselling" position. With this, the tool holder is locked.

Chiselling with lock function

To chisel for extended periods without pressing the on/off switch (9), lock the on/off switch in "chiselling" operating mode.

- To **lock** the power tool, press the on/off switch (9) down fully whilst simultaneously pressing the lock-on switch (7).
- To switch the lock off, press the lock-on button (7) again.

User interface (see figure F)

The user interface (14) is used to select the working mode and to indicate the status of the power tool.

Status indications

Power tool status indicator (20)	Meaning/cause	Solution
Green	Status OK	–
Yellow	Critical temperature has been reached or rechargeable battery is almost empty	Run the power tool at no load and allow it to cool down, or replace or charge the battery soon
Red	Power tool has overheated or rechargeable battery is empty	Allow the power tool to cool down, or replace or charge the battery
Red	Lock-on button pressed in "hammer drilling" operating mode	Press the lock-on button again
	Rotation stop switch activated during operation	Turn the power tool off and on again
	Motor is jammed, battery too weak	Charge the battery or use the recommended battery type
	General error	– Turn the power tool off and on again, or remove the battery and reinsert it If the error persists: – Send the power tool to the after-sales service
Flashing red – In combination with the rapid shut-off indicator (17)	Rapid shut-off is triggered	Turn the power tool off and on again
Flashing blue	Power tool is establishing a connection to a mobile device or settings are being transferred	–

Battery charge indicator (user interface) (16)	Meaning/cause	Solution
Green (2 to 5 bars)	Battery charged	–
Yellow (1 bar)	Battery almost empty	Replace or charge battery soon
Red (1 bar)	Battery empty	Replace or charge battery

Smartphone symbol (21)	Meaning/cause
–	Further information can be found on a mobile device if it is connected via <i>Bluetooth</i> ® wireless technology.

Temperature indicator (22)	Meaning/cause	Solution
Yellow	Operating temperature of the battery or the power tool has significantly increased, performance is reduced	Leave the power tool to cool down or replace overheated battery
Red	Operating temperature of the battery or the power tool has been exceeded, power tool switches itself off as a precautionary measure	Leave the power tool to cool down or replace overheated battery

Selecting the working mode

Press the (19) button for selecting the working mode repeatedly until the working mode you require lights up.

Note: The functions are preset in **Auto** and **Soft** work modes. In **Favorite** working mode, the preset functions can be configured via a smartphone app.

Working mode (18) indicator	Functions
Auto lights up	<p>Auto working mode: Fast, controlled run-up up to maximum power</p> <ul style="list-style-type: none"> – "Hammer drilling" operating mode (Electronic Precision Control soft start): Fast, controlled run-up up to maximum power – Rapid Shut-off (KickBack Control) active – "Chiselling" operating mode (Adaptive Speed Control soft start): Fast, controlled run-up up to maximum power
Favorite lights up	<p>Favorite working mode: Individual configuration via smartphone app (only 3 611 J17 0.. in combination with the <i>Bluetooth</i>® Low Energy module GCY 42)</p> <p>The following settings are preconfigured:</p> <ul style="list-style-type: none"> – "Hammer drilling" operating mode (Electronic Precision Control soft start): Controlled run-up up to reduced, medium power – Rapid Shut-off (KickBack Control) active – "Chiselling" operating mode (Adaptive Speed Control soft start): Fastest possible run-up up to maximum power
Soft lights up	<p>Soft working mode: Reduced power for processing sensitive materials</p> <ul style="list-style-type: none"> – "Hammer drilling" operating mode (Electronic Precision Control soft start): Slow, strictly controlled run-up up to reduced, low power – Rapid Shut-off (KickBack Control) active – "Chiselling" operating mode (Adaptive Speed Control soft start): Slow, strictly controlled run-up up to reduced power

Connectivity functions

In conjunction with the *Bluetooth*® Low Energy Module **GCY 42**, the following connectivity functions are available for the power tool:

- Registration and personalisation
- Status check, output of warning messages
- General information and settings
- Management

Read the corresponding operating instructions for information about the *Bluetooth*® Low Energy Module **GCY 42**.

Practical Advice

- ▶ **With the *Bluetooth*® Low Energy Module GCY 42, the power tool is equipped with a radio interface. Local operating restrictions, e.g. in aircraft or hospitals, must be observed.**
- ▶ **In areas in which the *Bluetooth*® wireless technology must not be used, the *Bluetooth*® Low Energy Module GCY 42 and the coin cell must be removed.**

Note: The cover (15) can only be closed securely if the *Bluetooth*® Low Energy Module GCY 42 and the coin cell are in the power tool.

- To **deactivate** the *Bluetooth*® Low Energy Module GCY 42, turn the coin cell over or place a means of insulation between the coin cell and *Bluetooth*® Low Energy Module GCY 42.
- Close the cover (15) to prevent dirt from getting in.

Overload clutch

- ▶ **If the application tool jams or snags, the power transmission to the drill spindle will be interrupted. Always hold the power tool firmly with both hands to withstand the forces this may create and adopt a position with stable footing.**
- ▶ **Switch the power tool off immediately and remove the application tool if the power tool becomes blocked. Switching on when the drilling tool is blocked may cause high torque reactions.**

Rapid shut-off (KickBack Control)



The rapid shut-off function (KickBack Control) gives the user greater control over the power tool and offers them better protection than power tools that do not have Kickback Control. If the power tool suddenly and unforeseeably rotates around the drilling axis, it will switch off, the rapid shut-off indicator (17) will light up red and the worklight (11) will flash. When rapid shut-off is activated, the status indicator (20) flashes red.

- To **switch the tool back on**, release the on/off switch (9) and then press it again.

Electronic Precision Control (EPC)

EPC assists you when drilling and when working with impact in sensitive materials by ensuring slow start-up of the operating speed for precise working.

Adaptive Speed Control in "Chiselling" Operating Mode



For better control and precise positioning, the power tool starts at a low speed and then increases to the set speed. Adapted Speed Control is started up automatically when the power tool is switched on.

Vibration damping



The integrated vibration damping function reduces the generated vibration.

- ▶ **Do not continue to use the power tool if the damping element is damaged.**

Maintenance and Service

Maintenance and Cleaning

- ▶ **Remove the battery from the power tool before carrying out work on the power tool (e.g. maintenance, changing tool, etc.). The battery should also be removed for transport and storage.** There is risk of injury from unintentionally pressing the on/off switch.
 - ▶ **To ensure safe and efficient operation, always keep the power tool and the ventilation slots clean.**
 - ▶ **Replace a damaged dust protection cap immediately. It is recommended that you have use an after-sales service for this.**
- Clean the tool holder (2) after each use.

After-Sales Service and Application Service

Our after-sales service responds to your questions concerning maintenance and repair of your product as well as spare parts. You can find explosion drawings and information on spare parts at: www.bosch-pt.com

The Bosch product use advice team will be happy to help you with any questions about our products and their accessories.

In all correspondence and spare parts orders, please always include the 10-digit article number given on the nameplate of the product.

Malaysia

Robert Bosch Sdn. Bhd. (220975-V) PT/SMY
No. 8A, Jalan 13/6
46200 Petaling Jaya
Selangor
Tel.: (03) 79663194
Toll-Free: 1800 880188
Fax: (03) 79583838
E-Mail: kiathoe.chong@my.bosch.com
www.bosch-pt.com.my

You can find further service addresses at:

www.bosch-pt.com/serviceaddresses

Transport

The recommended lithium-ion batteries are subject to legislation on the transport of dangerous goods. The user can

transport the batteries by road without further requirements.

When shipping by third parties (e.g.: by air transport or forwarding agency), special requirements on packaging and labelling must be observed. For preparation of the item being shipped, consulting an expert for hazardous material is required.

Dispatch battery packs only when the housing is undamaged. Tape or mask off open contacts and pack up the battery in such a manner that it cannot move around in the packaging. Please also observe the possibility of more detailed national regulations.

Disposal



Power tools, rechargeable batteries, accessories and packaging should be sorted for environmental-friendly recycling.



Do not dispose of power tools and batteries/rechargeable batteries into household waste!

Battery packs/batteries:

Li-ion:

Please observe the notes in the section on transport (see "Transport", page 13).

Français

Consignes de sécurité

Avertissements de sécurité généraux pour l'outil électrique

AVERTISSEMENT

Lire tous les avertissements de sécurité, les instructions, les illustrations et les spécifications fournis avec cet outil électrique. Ne pas suivre les instructions énumérées ci-dessous peut provoquer un choc électrique, un incendie et/ou une blessure sérieuse.

Conserver tous les avertissements et toutes les instructions pour pouvoir s'y reporter ultérieurement.

Le terme "outil électrique" dans les avertissements fait référence à votre outil électrique alimenté par le secteur (avec cordon d'alimentation) ou votre outil électrique fonctionnant sur batterie (sans cordon d'alimentation).

Sécurité de la zone de travail

- ▶ **Conserver la zone de travail propre et bien éclairée.** Les zones en désordre ou sombres sont propices aux accidents.
- ▶ **Ne pas faire fonctionner les outils électriques en atmosphère explosive, par exemple en présence de liquides inflammables, de gaz ou de poussières.** Les ou-

tils électriques produisent des étincelles qui peuvent enflammer les poussières ou les fumées.

- ▶ **Maintenir les enfants et les personnes présentes à l'écart pendant l'utilisation de l'outil électrique.** Les distractions peuvent vous faire perdre le contrôle de l'outil.

Sécurité électrique

- ▶ **Il faut que les fiches de l'outil électrique soient adaptées au socle. Ne jamais modifier la fiche de quelque façon que ce soit. Ne pas utiliser d'adaptateurs avec des outils électriques à branchement de terre.** Des fiches non modifiées et des socles adaptés réduisent le risque de choc électrique.
- ▶ **Éviter tout contact du corps avec des surfaces reliées à la terre telles que les tuyaux, les radiateurs, les cuisinières et les réfrigérateurs.** Il existe un risque accru de choc électrique si votre corps est relié à la terre.
- ▶ **Ne pas exposer les outils électriques à la pluie ou à des conditions humides.** La pénétration d'eau à l'intérieur d'un outil électrique augmente le risque de choc électrique.
- ▶ **Ne pas maltraiter le cordon. Ne jamais utiliser le cordon pour porter, tirer ou débrancher l'outil électrique. Maintenir le cordon à l'écart de la chaleur, du lubrifiant, des arêtes vives ou des parties en mouvement.** Des cordons endommagés ou emmêlés augmentent le risque de choc électrique.
- ▶ **Lorsqu'on utilise un outil électrique à l'extérieur, utiliser un prolongateur adapté à l'utilisation extérieure.** L'utilisation d'un cordon adapté à l'utilisation extérieure réduit le risque de choc électrique.
- ▶ **Si l'usage d'un outil électrique dans un emplacement humide est inévitable, utiliser une alimentation protégée par un dispositif à courant différentiel résiduel (RCD).** L'usage d'un RCD réduit le risque de choc électrique.

Sécurité des personnes

- ▶ **Rester vigilant, regarder ce que vous êtes en train de faire et faire preuve de bon sens dans votre utilisation de l'outil électrique. Ne pas utiliser un outil électrique lorsque vous êtes fatigué ou sous l'emprise de drogues, de l'alcool ou de médicaments.** Un moment d'inattention en cours d'utilisation d'un outil électrique peut entraîner des blessures graves.
- ▶ **Utiliser un équipement de protection individuelle. Toujours porter une protection pour les yeux.** Les équipements de protection individuelle tels que les masques contre les poussières, les chaussures de sécurité antidérapantes, les casques ou les protections auditives utilisés pour les conditions appropriées réduisent les blessures.
- ▶ **Éviter tout démarrage intempestif. S'assurer que l'interrupteur est en position arrêt avant de brancher l'outil au secteur et/ou au bloc de batteries, de le ramasser ou de le porter.** Porter les outils électriques en ayant le doigt sur l'interrupteur ou brancher des outils

électriques dont l'interrupteur est en position marche est source d'accidents.

- ▶ **Retirer toute clé de réglage avant de mettre l'outil électrique en marche.** Une clé laissée fixée sur une partie tournante de l'outil électrique peut donner lieu à des blessures.
- ▶ **Ne pas se précipiter. Garder une position et un équilibre adaptés à tout moment.** Cela permet un meilleur contrôle de l'outil électrique dans des situations inattendues.
- ▶ **S'habiller de manière adaptée. Ne pas porter de vêtements amples ou de bijoux. Garder les cheveux et les vêtements à distance des parties en mouvement.** Des vêtements amples, des bijoux ou les cheveux longs peuvent être pris dans des parties en mouvement.
- ▶ **Si des dispositifs sont fournis pour le raccordement d'équipements pour l'extraction et la récupération des poussières, s'assurer qu'ils sont connectés et correctement utilisés.** Utiliser des collecteurs de poussière peut réduire les risques dus aux poussières.
- ▶ **Rester vigilant et ne pas négliger les principes de sécurité de l'outil sous prétexte que vous avez l'habitude de l'utiliser.** Une fraction de seconde d'inattention peut provoquer une blessure grave.

Utilisation et entretien de l'outil électrique

- ▶ **Ne pas forcer l'outil électrique. Utiliser l'outil électrique adapté à votre application.** L'outil électrique adapté réalise mieux le travail et de manière plus sûre au régime pour lequel il a été construit.
- ▶ **Ne pas utiliser l'outil électrique si l'interrupteur ne permet pas de passer de l'état de marche à arrêt et inversement.** Tout outil électrique qui ne peut pas être commandé par l'interrupteur est dangereux et il faut le réparer.
- ▶ **Débrancher la fiche de la source d'alimentation et/ou enlever le bloc de batteries, s'il est amovible, avant tout réglage, changement d'accessoires ou avant de ranger l'outil électrique.** De telles mesures de sécurité préventives réduisent le risque de démarrage accidentel de l'outil électrique.
- ▶ **Conserver les outils électriques à l'arrêt hors de la portée des enfants et ne pas permettre à des personnes ne connaissant pas l'outil électrique ou les présentes instructions de le faire fonctionner.** Les outils électriques sont dangereux entre les mains d'utilisateurs novices.
- ▶ **Observer la maintenance des outils électriques et des accessoires. Vérifier qu'il n'y a pas de mauvais alignement ou de blocage des parties mobiles, des pièces cassées ou toute autre condition pouvant affecter le fonctionnement de l'outil électrique. En cas de dommages, faire réparer l'outil électrique avant de l'utiliser.** De nombreux accidents sont dus à des outils électriques mal entretenus.
- ▶ **Garder affûtés et propres les outils permettant de couper.** Des outils destinés à couper correctement en-

tretenus avec des pièces coupantes tranchantes sont moins susceptibles de bloquer et sont plus faciles à contrôler.

- ▶ **Utiliser l'outil électrique, les accessoires et les lames etc., conformément à ces instructions, en tenant compte des conditions de travail et du travail à réaliser.** L'utilisation de l'outil électrique pour des opérations différentes de celles prévues peut donner lieu à des situations dangereuses.
- ▶ **Il faut que les poignées et les surfaces de préhension restent sèches, propres et dépourvues d'huiles et de graisses.** Des poignées et des surfaces de préhension glissantes rendent impossibles la manipulation et le contrôle en toute sécurité de l'outil dans les situations inattendues.

Utilisation des outils fonctionnant sur batteries et précautions d'emploi

- ▶ **Ne recharger qu'avec le chargeur spécifié par le fabricant.** Un chargeur qui est adapté à un type de bloc de batteries peut créer un risque de feu lorsqu'il est utilisé avec un autre type de bloc de batteries.
- ▶ **N'utiliser les outils électriques qu'avec des blocs de batteries spécifiquement désignés.** L'utilisation de tout autre bloc de batteries peut créer un risque de blessure et de feu.
- ▶ **Lorsqu'un bloc de batteries n'est pas utilisé, le maintenir à l'écart de tout autre objet métallique, par exemple trombones, pièces de monnaie, clés, clous, vis ou autres objets de petite taille qui peuvent donner lieu à une connexion d'une borne à une autre.** Le court-circuitage des bornes d'une batterie entre elles peut causer des brûlures ou un feu.
- ▶ **Dans de mauvaises conditions, du liquide peut être éjecté de la batterie; éviter tout contact. En cas de contact accidentel, nettoyer à l'eau. Si le liquide entre en contact avec les yeux, rechercher en plus une aide médicale.** Le liquide éjecté des batteries peut causer des irritations ou des brûlures.
- ▶ **Ne pas utiliser un bloc de batteries ou un outil fonctionnant sur batteries qui a été endommagé ou modifié.** Les batteries endommagées ou modifiées peuvent avoir un comportement imprévisible provoquant un feu, une explosion ou un risque de blessure.
- ▶ **Ne pas exposer un bloc de batteries ou un outil fonctionnant sur batteries au feu ou à une température excessive.** Une exposition au feu ou à une température supérieure à 130°C peut provoquer une explosion.
- ▶ **Suivre toutes les instructions de charge et ne pas charger le bloc de batteries ou l'outil fonctionnant sur batteries hors de la plage de températures spécifiée dans les instructions.** Un chargement incorrect ou à des températures hors de la plage spécifiée de températures peut endommager la batterie et augmenter le risque de feu.

Maintenance et entretien

- ▶ **Faire entretenir l'outil électrique par un réparateur qualifié utilisant uniquement des pièces de rechange identiques.** Cela assure le maintien de la sécurité de l'outil électrique.
- ▶ **Ne jamais effectuer d'opération d'entretien sur des blocs de batteries endommagés.** Il convient que l'entretien des blocs de batteries ne soit effectué que par le fabricant ou les fournisseurs de service autorisés.

Avertissements de sécurité pour les marteaux

Instructions de sécurité pour toutes les opérations

- ▶ **Porter des protecteurs d'oreilles.** L'exposition au bruit peut provoquer une perte de l'audition.
- ▶ **Utiliser la ou les poignées auxiliaires, si l'outil en est équipé.** Toute perte de contrôle peut entraîner des dommages corporels.
- ▶ **Tenir l'outil électrique par des surfaces de préhension isolées au cours d'une opération où l'accessoire de coupe peut être en contact avec des fils dissimulés.** Des accessoires de coupe en contact avec un fil "sous tension" peuvent mettre des parties métalliques exposées de l'outil électrique "sous tension" et provoquer un choc électrique chez l'opérateur.

Instructions de sécurité lors de l'utilisation de longs forets avec des marteaux rotatifs

- ▶ **Toujours commencer à percer à faible vitesse et avec la pointe du foret en contact avec la pièce à usiner.** A des vitesses plus élevées, la pointe est susceptible de se plier s'il lui est permis de tourner librement sans entrer en contact avec la pièce à usiner, entraînant des dommages corporels.
- ▶ **Appliquer la pression uniquement en ligne directe avec la pointe et ne pas appliquer de pression excessive.** Les pointes peuvent se plier et provoquer une rupture ou une perte de contrôle, entraînant des dommages corporels.

Consignes de sécurité additionnelles

- ▶ **Utilisez un détecteur approprié pour vérifier s'il n'y a pas de conduites cachées ou contactez votre société de distribution d'eau locale.** Tout contact avec des câbles électriques peut provoquer un incendie ou un choc électrique. Tout endommagement d'une conduite de gaz peut provoquer une explosion. La perforation d'une conduite d'eau provoque des dégâts matériels.
- ▶ **Avant de poser l'outil électroportatif, attendez que celui-ci soit complètement à l'arrêt.** L'outil risque de se coincer, ce qui entraînerait une perte de contrôle de l'outil électroportatif.
- ▶ **Bloquez la pièce à travailler.** Une pièce à travailler serrée par des dispositifs de serrage appropriés ou dans un étai est fixée de manière plus sûre que quand elle est tenue avec une main.
- ▶ **Si l'accu est endommagé ou utilisé de manière non conforme, des vapeurs peuvent s'échapper. L'accu**

peut brûler ou exploser. Ventilez le local et consultez un médecin en cas de malaise. Les vapeurs peuvent entraîner des irritations des voies respiratoires.

- ▶ **N'ouvrez pas l'accu.** Risque de court-circuit.
- ▶ **Les objets pointus comme un clou ou un tournevis et le fait d'exercer une force extérieure sur le boîtier risque d'endommager l'accu.** Il peut en résulter un court-circuit interne et l'accu risque de s'enflammer, de dégager des fumées, d'exploser ou de surchauffer.
- ▶ **N'utilisez l'accu qu'avec des produits du fabricant.** Tout risque de surcharge dangereuse sera alors exclu.



Conservez la batterie à l'abri de la chaleur, en la protégeant p. ex. de l'ensoleillement direct, du feu, de la saleté, de l'eau et de l'humidité. Il existe un risque d'explosion et de courts-circuits.

- ▶ **Ne touchez pas les accessoires ou pièces adjacentes du carter juste après l'utilisation de l'outil électroportatif.** Ils peuvent devenir très chauds et causer des brûlures.
- ▶ **L'accessoire de travail peut se bloquer lors des perçages.** Tenez fermement l'outil électroportatif des deux mains et veillez à toujours travailler dans une position stable. Vous risquez sinon de perdre le contrôle de l'outil électroportatif.
- ▶ **Soyez prudent lors de travaux de démolition avec un burin.** Les fragments de matériau qui se détachent risquent de vous blesser et de blesser les personnes qui se trouvent à proximité.
- ▶ **Lors du travail, tenez fermement l'outil électroportatif des deux mains et veillez à toujours garder une position de travail stable.** Avec les deux mains, l'outil électroportatif est guidé en toute sécurité.
- ▶ **Attention ! En cas d'utilisation de l'outil électroportatif en mode Bluetooth[®], les ondes émises risquent de perturber le fonctionnement de certains appareils et installations ainsi que le fonctionnement des avions et des appareils médicaux (par ex. stimulateurs cardiaques, prothèses auditives). Un effet nocif sur les personnes et les animaux à proximité immédiate ne peut être entièrement exclu. N'utilisez pas l'outil électroportatif en mode Bluetooth[®] à proximité d'appareils médicaux, de stations-service, d'usines chimiques et lorsque vous vous trouvez dans des zones à risque d'explosion ou dans des zones de dynamitage. N'utilisez pas l'outil électroportatif en mode Bluetooth[®] dans des avions. Évitez une utilisation prolongée à proximité directe du corps.**

Le nom de marque Bluetooth[®] et le logo associé sont des marques déposées de la Bluetooth SIG, Inc. Toute utilisation de cette marque/de ce logo par la société Robert Bosch Power Tools GmbH s'effectue sous licence.

Symboles

Les symboles suivants peuvent être importants pour l'utilisation de votre outil électroportatif. Veuillez mémoriser les symboles et leur signification. L'interprétation correcte des symboles vous permettra de mieux utiliser votre outil électroportatif et en toute sécurité.

Symboles et leur signification



Pour changer l'outil d'insertion, tirez le manchon de verrouillage vers l'arrière.



Description des prestations et du produit



Lisez attentivement toutes les instructions et consignes de sécurité. Le non-respect des instructions et consignes de sécurité peut provoquer un choc électrique, un incendie et/ou entraîner de graves blessures.

Référez-vous aux illustrations qui se trouvent à l'avant de la notice d'utilisation.

Utilisation conforme

L'outil électroportatif est conçu pour les travaux de perforation dans le béton, la brique et la pierre ainsi que pour des travaux de burinage.

En cas d'utilisation d'un module Bluetooth[®] Low Energy GCY 42, les données et les réglages de l'outil électroportatif peuvent être transmis à un périphérique mobile par voie radio au moyen de la technologie Bluetooth[®].

Éléments constitutifs

La numérotation des éléments se réfère à la représentation de l'outil électroportatif sur la page graphique.

- (1) Mandrin SDS max
- (2) Porte-outil SDS max
- (3) Capuchon anti-poussière
- (4) Bague de verrouillage
- (5) Sélecteur stop de rotation
- (6) Système d'amortissement des vibrations
- (7) Bouton de blocage de l'interrupteur Marche/Arrêt
- (8) Poignée (surface de préhension isolée)
- (9) Interrupteur Marche/Arrêt
- (10) Accu^{a)}
- (11) LED d'éclairage
- (12) Poignée supplémentaire (surface de préhension isolée)
- (13) Bouton de déverrouillage d'accu^{a)}
- (14) Écran de contrôle

- (15) Cache du module *Bluetooth*[®] Low Energy GCY 42
- (16) Indicateur d'état de charge de l'accum (écran de contrôle)
- (17) Affichage arrêt rapide (écran de contrôle)
- (18) Affichage Modes de travail (écran de contrôle)
- (19) Touche de sélection de mode de travail (écran de contrôle)
- (20) Affichage État de l'outil électroportatif (écran de contrôle)
- (21) Symbole smartphone (écran de contrôle)
- (22) Affichage de température (écran de contrôle)
- a) **Les accessoires décrits ou illustrés ne sont pas tous compris dans la fourniture. Vous trouverez l'ensemble des accessoires dans notre gamme d'accessoires.**

Caractéristiques techniques

Perforateur sans-fil		GBH 18V-40 C	GBH 18V-40 C
		3 611 J17 0..	3 611 J17 1..
Référence			
Tension nominale	V=	18	18
Fréquence de frappe ^{A)}	min ⁻¹	0-3 130	0-3 130
Force de frappe selon EPTA-Procédure 05:2016	J	9,0	9,0
Régime nominal	tr/min	0-360	0-360
Porte-outil		SDS max	SDS max
Module <i>Bluetooth</i> [®] Low Energy GCY 42		● ^{B)}	... ^{C)}
Diamètre de perçage maxi :			
- Béton	mm	40	40
- Béton (avec scie-trépan)	mm	90	90
Poids selon EPTA-Procédure 01:2014 ^{D)}	kg	7,4-8,4	7,4-8,4
Longueur	mm	502	502
Hauteur	mm	253	253
Températures ambiantes recommandées pour la charge	°C	0 ... +35	0 ... +35
Températures ambiantes admissibles pendant l'utilisation ^{E)} et pour le stockage	°C	-20 ... +50	-20 ... +50
Accus compatibles		GBA 18V... ProCORE18V...	GBA 18V... ProCORE18V...
Accus recommandés pour des performances maximales		ProCORE18V... ≥ 5,5 Ah	ProCORE18V... ≥ 5,5 Ah
Chargeurs recommandés		GAL 18... GAX 18... GAL 36...	GAL 18... GAX 18... GAL 36...
Transmission de données			
<i>Bluetooth</i> [®]		<i>Bluetooth</i> [®] 4.2 (Low Energy) ^{F)}	<i>Bluetooth</i> [®] 4.2 (Low Energy) ^{F)}
Rapport signal/bruit	s	8	8
Portée maximale du signal ^{G)}	m	30	30

A) Mesuré à 20-25 °C avec accus **GBA 18V 8.0Ah**.

B) prémonté

C) disponible séparément

D) Dépend de l'accum utilisé

E) Performances réduites à des températures < à 0 °C et > à 40 °C

F) Les périphériques mobiles (smartphones, tablettes) doivent être compatibles avec la technologie *Bluetooth*[®] Low Energy (version 4.2) et prendre en charge le profil GAP (Generic Access Profile).

G) La portée peut varier sensiblement selon les conditions extérieures et le type de périphérique mobile utilisé. Dans une pièce fermée et à travers des barrières métalliques (par exemple, parois murales, étagères, coffres, etc.), la portée du *Bluetooth*[®] peut se trouver fortement réduite.

Informations sur le niveau sonore/les vibrations

Valeurs d'émissions sonores déterminées conformément à **EN IEC 62841-2-6**.

Le niveau sonore en dB(A) typique de l'outil électroportatif est de : niveau de pression acoustique **93 dB(A)** ; niveau de puissance acoustique **104 dB(A)**. Incertitude K = **4 dB**.

Portez un casque antibruit !

Valeurs globales de vibration a_{hv} (somme vectorielle sur les trois axes) et incertitude K conformément à **EN IEC 62841-2-6** :

Perforation dans le béton : $a_{hv} = 7,5 \text{ m/s}^2$, K = **1,5 m/s²**,

Burinage : $a_{hv} = 7,0 \text{ m/s}^2$, K = **1,5 m/s²**,

Le niveau de vibration et la valeur d'émission sonore indiqués dans cette notice d'utilisation ont été mesurés selon une procédure de mesure normalisée et peuvent être utilisés pour établir une comparaison entre différents outils électroportatifs. Ils peuvent aussi servir de base à une estimation préliminaire du taux de vibration et du niveau sonore.

Le niveau de vibration et la valeur d'émission sonore indiqués s'appliquent pour les utilisations principales de l'outil électroportatif. Si l'outil électroportatif est utilisé pour d'autres applications, avec d'autres accessoires de travail ou sans avoir fait l'objet d'un entretien régulier, le niveau de vibration et la valeur d'émission sonore peuvent différer. Il peut en résulter des vibrations et un niveau sonore nettement plus élevés pendant toute la durée de travail.

Pour une estimation précise du niveau de vibration et du niveau sonore, il faut aussi prendre en considération les périodes pendant lesquelles l'outil est éteint ou bien en marche sans être vraiment en action. Il peut en résulter au final un niveau de vibration et un niveau sonore nettement plus faibles pendant toute la durée de travail.

Prévoyez des mesures de protection supplémentaires permettant de protéger l'utilisateur de l'effet des vibrations, par exemple : maintenance de l'outil électroportatif et des accessoires de travail, maintien des mains au chaud, organisation des procédures de travail.

Accu

Bosch vend ses outils électroportatifs sans-fil aussi sans accu. Il est indiqué sur l'emballage si un accu est fourni ou non avec l'outil électroportatif.

Recharge de l'accu

► **N'utilisez que les chargeurs indiqués dans les Caractéristiques techniques.** Seuls ces chargeurs sont adaptés à l'accu Lithium-Ion de votre outil électroportatif.

Remarque : Les dispositions internationales en vigueur pour le transport de marchandises obligent à livrer les accus Lithium-Ion partiellement chargés. Pour que les accus soient pleinement performants, chargez-les complètement avant leur première utilisation.

Mise en place de l'accu

Insérez l'accu dans le compartiment à accu jusqu'à ce qu'il s'enclenche.



Retrait de l'accu

Pour retirer l'accu, appuyez sur le bouton de déverrouillage de l'accu et sortez l'accu de l'outil électroportatif. **Ne forcez pas.**

L'accu dispose d'un double verrouillage permettant d'éviter qu'il tombe si vous appuyez par mégarde sur le bouton de déverrouillage d'accu. Tant que l'accu est en place dans l'outil électroportatif, un ressort le maintient en position.

Indicateur de niveau de charge de l'accu

Les LED vertes de l'indicateur d'état de charge indiquent le niveau de charge de la batterie. Pour des raisons de sécurité, il n'est possible d'afficher l'état de charge que quand l'outil électroportatif est à l'arrêt.

Pour afficher le niveau de charge, appuyez sur le bouton de l'indicateur de niveau de charge  ou . L'affichage du niveau de charge est également possible après retrait de l'accu.

Si aucune LED ne s'allume après avoir appuyé sur le bouton de l'indicateur de niveau de charge, la batterie est défectueuse et doit être remplacée.

Le niveau de charge de l'accu est également affiché sur l'écran de contrôle Affichages d'état.

Batterie de type GBA 18V...



LED	Capacité
Allumage permanent en vert de 3 LED	60-100 %
Allumage permanent en vert de 2 LED	30-60 %
Allumage permanent en vert de 1 LED	5-30 %
Clignotement en vert de 1 LED	0-5 %

Batterie de type ProCORE18V...



LED	Capacité
Allumage permanent en vert de 5 LED	80-100 %
Allumage permanent en vert de 4 LED	60-80 %
Allumage permanent en vert de 3 LED	40-60 %
Allumage permanent en vert de 2 LED	20-40 %
Allumage permanent en vert de 1 LED	5-20 %
Clignotement en vert de 1 LED	0-5 %

Indications pour une utilisation optimale de la batterie

Protégez l'accu de l'humidité et de l'eau.

Ne stockez l'accu que dans la plage de températures de -20 à 50 °C. Ne laissez par ex. pas l'accu dans une voiture en plein été.

Nettoyez de temps en temps les orifices de ventilation de l'accu à l'aide d'un pinceau doux, propre et sec.

Une baisse notable de l'autonomie de l'accu au fil des recharges effectuées indique que l'accu est arrivé en fin de vie et qu'il doit être remplacé.

Respectez les indications concernant l'élimination.

Montage

- ▶ **Retirez l'accu de l'appareil électroportatif avant toute intervention (opérations d'entretien/de maintenance, changement d'accessoire, etc.) ainsi que lors de son transport et rangement.** Il y a sinon risque de blessure lorsqu'on appuie par mégarde sur l'interrupteur Marche/Arrêt.
- ▶ **Actionnez le bouton de blocage de l'interrupteur Marche/Arrêt avant d'effectuer des travaux sur l'outil électroportatif (p. ex. travaux d'entretien, changement d'accessoire, etc.) et avant de le transporter ou de le ranger.** Il y a sinon risque de blessure si vous appuyez par mégarde sur l'interrupteur Marche/Arrêt.

Mise en place du module *Bluetooth*® Low Energy GCY 42 (accessoire)

Pour plus d'informations, veuillez lire la notice d'utilisation du module *Bluetooth*® Low Energy GCY 42.

Poignée supplémentaire

- ▶ **N'utilisez pas l'outil électroportatif sans la poignée supplémentaire (12).**
- ▶ **Assurez-vous que la poignée supplémentaire est bien serrée.** Vous risquez sinon de perdre le contrôle de l'outil électroportatif.

Pivotement de la poignée supplémentaire (voir figure B)

La poignée supplémentaire (12) peut être orientée dans n'importe quelle position, pour obtenir une position de travail sûre et peu fatigante.

- Tournez la poignée supplémentaire (12) dans le sens antihoraire et orientez la poignée supplémentaire (12) dans la position souhaitée. Resserrez ensuite la poignée supplémentaire (12) en la tournant dans le sens horaire. Veillez à ce que le collier de serrage de la poignée supplémentaire se trouve bien dans la rainure du carter prévue à cet effet.

Choix du mandrin et des accessoires

Pour les travaux de perforation et de burinage, vous devez utiliser des accessoires SDS max et le mandrin SDS max.

Changement d'accessoire

Le capuchon anti-poussière (3) empêche dans une large mesure la poussière de pénétrer dans le porte-outil pendant l'utilisation de l'outil électroportatif. Lors du montage de l'ac-

cessoire de travail, veillez à ne pas endommager le capuchon anti-poussière (3).

- ▶ **Remplacez immédiatement le capuchon anti-poussière s'il est endommagé. Il est recommandé de faire effectuer ce travail dans un centre de service après-vente.**

Changement d'accessoire (SDS max)

Mise en place d'un accessoire de travail (voir figure C)

Le porte-outil SDS max permet de changer d'accessoire de travail facilement et confortablement sans avoir à utiliser de clé.

- Nettoyez l'extrémité de l'accessoire, et graissez-la légèrement.
- Poussez la douille de verrouillage (4) vers l'arrière et introduisez l'accessoire de travail dans le porte-outil en le tournant. Relâchez la douille de verrouillage (4) afin de bloquer l'accessoire de travail.
- Tirez sur l'accessoire pour vérifier qu'il est bien bloqué.

Retrait d'un accessoire de travail (voir figure D)

- Poussez la bague de verrouillage (4) vers l'arrière et sortez l'accessoire de travail.

Aspiration de poussières/de copeaux

Les poussières de matériaux tels que peintures contenant du plomb, certains bois, minéraux ou métaux, peuvent être nuisibles à la santé. Entrer en contact ou aspirer les poussières peut entraîner des réactions allergiques et/ou des maladies respiratoires auprès de l'utilisateur ou de personnes se trouvant à proximité.

Certaines poussières telles que les poussières de chêne ou de hêtre sont considérées comme cancérigènes, surtout en association avec des additifs pour le traitement du bois (chromate, lazure). Les matériaux contenant de l'amiante ne doivent être travaillés que par des personnes qualifiées.

- Veillez à bien aérer la zone de travail.
- Il est recommandé de porter un masque respiratoire avec un niveau de filtration de classe P2.

Respectez les règlements spécifiques aux matériaux à traiter en vigueur dans votre pays.

- ▶ **Évitez toute accumulation de poussières sur le lieu de travail.** Les poussières peuvent facilement s'enflammer.

Fonctionnement

Mise en marche

- ▶ Veillez à ce que le cache (15) du module *Bluetooth*® Low Energy Module GCY 42 soit fermé pendant l'utilisation de l'outil. Vous évitez ainsi toute pénétration de poussière.

Sélection d'un mode de fonctionnement (voir figure E)

La sélection des modes de fonctionnement s'effectue au moyen du sélecteur stop de rotation (5).

- Pour changer le mode de fonctionnement, placez le sélecteur stop de rotation (5) dans la position souhaitée.

Remarque : Ne changez de mode de fonctionnement que lorsque l'outil électroportatif est éteint ! Vous risqueriez sinon d'endommager l'outil électroportatif.

Remarque : Si vous changez de mode de fonctionnement alors que l'interrupteur Marche/Arrêt est bloqué, l'outil électroportatif s'arrête.

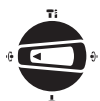


Position pour **perforeur**

Si l'accessoire de travail ne se met pas à tourner immédiatement, laissez l'outil électroportatif se mettre en marche jusqu'à ce que l'accessoire de travail se mette aussi à tourner.



Position **Vario-Lock** pour changer la position du burin



Position pour **buriner**



Mise en marche/arrêt

- Débloquez si nécessaire l'interrupteur Marche/Arrêt en actionnant le bouton de blocage (7).
- Pour **mettre en marche** l'outil électroportatif, appuyez sur l'interrupteur Marche/Arrêt (9).

La LED (11) s'allume dès que l'interrupteur Marche/Arrêt (9) est enfoncé légèrement ou complètement. Elle permet d'éclairer la zone de travail dans les endroits sombres.

- Pour **arrêter** l'outil électroportatif, relâchez l'interrupteur Marche/Arrêt (9).

À basses températures, l'outil électroportatif n'atteint sa pleine puissance de percussion/capacité de frappe qu'au bout d'un certain temps.

Affichages d'état

Affichage d'état de l'outil électroportatif (20)	Signification/cause	Remède
Vert	État normal	–
Jaune	Température critique atteinte ou accu presque vide	Faire fonctionner l'outil électroportatif à vide et attendre qu'il refroidisse ou bien changer / recharger l'accu
Rouge	Outil électroportatif en surchauffe ou accu vide	Laisser refroidir l'outil électroportatif ou bien changer / recharger l'accu
Rouge	Bouton de blocage actionné dans le mode « Perforation »	Actionner à nouveau le bouton de blocage
	Sélecteur stop de rotation actionné en cours d'utilisation	Arrêter et remettre en marche l'outil électroportatif
	Le moteur est bloqué, l'accu est trop déchargé	Recharger l'accu ou monter le type d'accu recommandé

Réglage de la vitesse de rotation/de la fréquence de frappe

Vous pouvez modifier en continu la vitesse de rotation/fréquence de frappe de l'outil électroportatif en jouant sur la pression exercée sur l'interrupteur Marche/Arrêt (9).

Une légère pression sur l'interrupteur Marche/Arrêt (9) produit une faible vitesse de rotation/fréquence de frappe. Plus l'on exerce de pression, plus la vitesse de rotation/la fréquence de frappe augmente.

Vous pouvez aussi régler la vitesse de rotation sur l'écran de contrôle ou via l'application pour smartphone dédiée.

Changement de la position du burin (Vario-Lock)

Il est possible de bloquer le burin dans 16 positions. Cela permet de toujours travailler dans une position optimale.

- Insérez le burin dans le porte-outil.
- Placez le sélecteur stop de rotation (5) dans la position « Vario-Lock ».
- Tournez le burin jusqu'à ce qu'il se trouve dans la position souhaitée.
- Placez le sélecteur stop de rotation (5) dans la position « Burinage ». Le porte-outil est alors bloqué.

Burinage avec fonction de blocage

Pour les travaux de burinage longs, vous avez la possibilité dans le mode « Burinage » de bloquer l'interrupteur Marche/Arrêt (9) pour ne pas avoir à le maintenir constamment actionné.

- Pour **bloquer** l'interrupteur Marche/Arrêt (9), enfoncez-le jusqu'en butée tout en appuyant sur le bouton de blocage (7).
- Pour arrêter, actionnez à nouveau le bouton de blocage (7).

Écran de contrôle (voir figure F)

L'écran de contrôle (14) sert à la sélection du mode de travail et à l'affichage d'état de l'outil électroportatif.

Affichage d'état de l'outil électroportatif (20)	Signification/cause	Remède
	Défaut général	<ul style="list-style-type: none"> – Arrêter et remettre en marche l'outil électroportatif ou bien retirer et réinsérer l'accum Si le défaut persiste : <ul style="list-style-type: none"> – Envoyer l'outil au service après-vente
Rouge clignotant – en combinaison avec l'affichage arrêt rapide (17)	Entrée en action du dispositif d'arrêt rapide	Arrêter et remettre en marche l'outil électroportatif
Bleu clignotant	L'outil électroportatif est en train d'établir une connexion avec un appareil mobile ou les réglages sont en train d'être transmis	–

Indicateur d'état de charge de l'accum (écran de contrôle) (16)	Signification/cause	Remède
vert (2 à 5 barres)	Accu chargé	–
jaune (1 barre)	Accu presque vide	Changer l'accum ou le recharger sans tarder
rouge (1 barre)	Accu vide	Changer d'accum ou le recharger

Symbole smartphone (21)	Signification/cause
–	La technologie <i>Bluetooth</i> ® permet, lorsqu'un appareil mobile est connecté, d'afficher sur celui-ci d'autres informations.

Affichage de température (22)	Signification/cause	Remède
Jaune	L'accum ou l'outil électroportatif est en surchauffe, la puissance est réduite	Laisser refroidir l'outil électroportatif ou remplacer l'accum en surchauffe
Rouge	L'accum ou l'outil électroportatif est en surchauffe, l'outil électroportatif s'éteint automatiquement par mesure de protection	Laisser refroidir l'outil électroportatif ou remplacer l'accum en surchauffe

Sélection du mode de travail

Actionnez de façon répétée la touche (19) jusqu'à ce que le mode de travail souhaité soit éclairé.

Remarque : Dans les modes **Auto** et **Soft**, les fonctions sont pré-réglées. Dans le mode **Favorite**, les fonctions doivent être configurées sur le smartphone via une application dédiée.

Affichage mode de travail (18)	Fonctions
--------------------------------	-----------

Auto s'allume

Mode **Auto** : **accélération rapide et contrôlée** jusqu'à la puissance maximale

- Mode « perforation » (démarrage progressif Electronic Precision Control) : accélération rapide et contrôlée jusqu'à la puissance maximale
- Dispositif d'arrêt rapide (KickBack Control) actif
- Mode « burinage » (démarrage progressif Adaptive Speed Control) : accélération rapide et contrôlée jusqu'à la puissance maximale

Favorite s'allume

Mode **Favorite** : **configuration personnalisée via une application dédiée sur smartphone** (seulement **3 611 J17 0..** en association avec le module *Bluetooth*® Low Energy **GCY 42**)

Les réglages suivants sont **préconfigurés** :

- Mode « perforation » (démarrage progressif Electronic Precision Control) : accélération contrôlée jusqu'à une puissance moyenne réduite
- Dispositif d'arrêt rapide (KickBack Control) actif

Affichage mode de travail (18) Fonctions

- Mode « burinage » (démarrage progressif Adaptive Speed Control) : accélération très rapide jusqu'à la puissance maximale

Soft s'allume

Mode **Soft** : puissance réduite pour les perçages dans des matériaux fragiles

- Mode « perforation » (démarrage progressif Electronic Precision Control) : accélération lente et fortement contrôlée jusqu'à une puissance moyenne réduite
- Dispositif d'arrêt rapide (KickBack Control) actif
- Mode « burinage » (démarrage progressif Adaptive Speed Control) : accélération lente et fortement contrôlée jusqu'à une puissance réduite

Fonctions de connectivité

En combinaison avec le module *Bluetooth*® Low Energy **GCY 42**, les fonctions de connectivité suivantes sont disponibles pour l'outil électroportatif :

- Enregistrement et personnalisation
- Vérification d'état, émission d'avertissements
- Informations générales et réglages
- Gestion

Pour plus d'informations, veuillez lire la notice d'utilisation du module *Bluetooth*® Low Energy **GCY 42**.

Instructions d'utilisation

- **En présence du module *Bluetooth*® Low Energy GCY 42, l'outil électroportatif est doté d'une interface radio. Observez les restrictions d'utilisation locales en vigueur, par ex. dans les avions ou dans les hôpitaux.**
- **Dans les endroits où il est interdit d'utiliser la technologie *Bluetooth*®, retirez le module *Bluetooth*® Low Energy GCY 42 ainsi que la pile bouton.**

Remarque : Le cache (15) ne peut être fermé correctement que si le module *Bluetooth*® Low Energy GCY 42 et la pile bouton se trouvent dans l'outil électroportatif.

- Pour **désactiver** le module *Bluetooth*® Low Energy GCY 42, retournez la pile bouton ou intercalez un morceau de feuille isolante entre la pile bouton et le module *Bluetooth*® Low Energy GCY 42.
- Fermez le cache (15) de façon à ce qu'aucune saleté ne puisse pénétrer à l'intérieur.

Débrayage de sécurité

- **Dès que l'accessoire de travail se coince ou qu'il s'accroche, l'entraînement de la broche est interrompu. En raison des forces intervenant, tenez toujours l'outil électroportatif fermement avec les deux mains et ayez une position ferme.**
- **Si l'outil électroportatif est bloqué, éteignez-le et desserrez l'outil de travail. Lorsqu'on met l'appareil en marche, l'outil de travail étant bloqué, il peut y avoir de fortes réactions.**

Arrêt rapide (Kickback Control)



Le dispositif d'arrêt rapide (KickBack Control) améliore la maîtrise de l'outil électroportatif et donc la sécurité d'utilisation par rapport aux outils électroportatifs sans KickBack Control. L'outil électroportatif s'arrête immédiatement dès qu'il se met subitement, et de façon imprévisible, à tourner autour de l'axe du foret, l'affichage Arrêt rapide (Kickback Control) (17) s'allume en rouge et la LED d'éclairage (11) clignote. Quand l'arrêt rapide (Kickback Control) est actif, l'affichage d'état (20) clignote en rouge.

- Pour **remettre en marche** l'outil électroportatif, relâchez l'interrupteur Marche/Arrêt (9) et actionnez-le à nouveau.

Electronic Precision Control (EPC)

La fonction EPC facilite les amorces de perçage et les perçages avec percussion dans les matériaux fragiles grâce à une accélération en douceur pour un travail plus précis.

Commande électronique de vitesse (Adaptive Speed Control) dans le mode « Burinage »



Pour une meilleure maîtrise et une amorce plus précise, l'outil électroportatif démarre avec un petit régime et accélère ensuite jusqu'au régime réglé.

La commande électronique de vitesse (Adaptive Speed Control) est automatiquement activée lorsque l'outil électroportatif est appliqué contre la pièce.

Dispositif d'amortissement des vibrations



Le dispositif intégré d'amortissement des vibrations (Vibration Control) réduit les vibrations générées en cours d'utilisation.

- **Ne continuez pas à utiliser l'outil électroportatif si l'élément d'amortissement est endommagé.**

Entretien et Service après-vente

Nettoyage et entretien

- **Retirez l'accu de l'appareil électroportatif avant toute intervention (opérations d'entretien/de maintenance, changement d'accessoire, etc.) ainsi que lors de son**

transport et rangement. Il y a sinon risque de blessure lorsqu'on appuie par mégarde sur l'interrupteur Marche/Arrêt.

- ▶ **Tenez toujours propres l'outil électroportatif ainsi que les fentes de ventilation afin d'obtenir un travail impeccable et sûr.**
 - ▶ **Remplacez immédiatement le capuchon anti-poussière s'il est endommagé. Il est recommandé de faire effectuer ce travail dans un centre de service après-vente.**
- Nettoyez le porte-outil (2) après chaque utilisation.

Service après-vente et conseil utilisateurs

Notre Service après-vente répond à vos questions concernant la réparation et l'entretien de votre produit et les pièces de rechange. Vous trouverez des vues éclatées et des informations sur les pièces de rechange sur le site :

www.bosch-pt.com

L'équipe de conseil utilisateurs Bosch se tient à votre disposition pour répondre à vos questions concernant nos produits et leurs accessoires.

Pour toute demande de renseignement ou toute commande de pièces de rechange, précisez impérativement la référence à 10 chiffres figurant sur l'étiquette signalétique du produit.

Maroc

Robert Bosch Morocco SARL
53, Rue Lieutenant Mahroud Mohamed
20300 Casablanca
Tel.: +212 5 29 31 43 27
E-Mail : sav.outillage@ma.bosch.com

Vous trouverez d'autres adresses du service après-vente sous :

www.bosch-pt.com/serviceaddresses

Transport

Les accus Lithium-ion recommandés sont soumis à la réglementation relative au transport de matières dangereuses. Pour le transport sur route par l'utilisateur, aucune autre mesure n'a besoin d'être prise.

Lors d'une expédition par un tiers (par ex. transport aérien ou entreprise de transport), des mesures spécifiques doivent être prises concernant l'emballage et le marquage. Pour la préparation de l'envoi, faites-vous conseiller par un expert en transport de matières dangereuses.

N'expédiez que des accus dont le boîtier n'est pas endommagé. Recouvrez les contacts non protégés et emballez l'accu de manière à ce qu'il ne puisse pas se déplacer dans l'emballage. Veuillez également respecter les réglementations supplémentaires éventuellement en vigueur.

Élimination des déchets



Les outils électroportatifs, les accus ainsi que leurs accessoires et emballages doivent être rapportés dans un centre de recyclage respectueux de l'environnement.



Ne jetez pas les outils électroportatifs et les accus/piles avec les ordures ménagères !

Accus/piles :

Li-ion :

Veuillez respecter les indications se trouvant dans le chapitre Transport (voir « Transport », Page 23).

Português

Instruções de segurança

Instruções gerais de segurança para ferramentas eléctricas

AVISO

Devem ser lidas todas as indicações de segurança,

instruções, ilustrações e especificações desta ferramenta eléctrica. O desrespeito das instruções apresentadas abaixo poderá resultar em choque eléctrico, incêndio e/ou ferimentos graves.

Guarde bem todas as advertências e instruções para futura referência.

O termo "ferramenta eléctrica" utilizado a seguir nas indicações de advertência, refere-se a ferramentas eléctricas operadas com corrente de rede (com cabo de rede) e a ferramentas eléctricas operadas com acumulador (sem cabo de rede).

Segurança da área de trabalho

- ▶ **Mantenha a sua área de trabalho sempre limpa e bem iluminada.** Desordem ou áreas de trabalho insuficientemente iluminadas podem levar a acidentes.
- ▶ **Não trabalhar com a ferramenta eléctrica em áreas com risco de explosão, nas quais se encontrem líquidos, gases ou pós inflamáveis.** Ferramentas eléctricas produzem faíscas, que podem inflamar pós ou vapores.
- ▶ **Manter crianças e outras pessoas afastadas da ferramenta eléctrica durante a utilização.** No caso de distração é possível que perca o controlo sobre o aparelho.

Segurança eléctrica

- ▶ **A ficha de conexão da ferramenta eléctrica deve caber na tomada. A ficha não deve ser modificada de maneira alguma. Não utilizar uma ficha de adaptação junto com ferramentas eléctricas protegidas por ligação à terra.** Fichas não modificadas e tomadas apropriadas reduzem o risco de um choque eléctrico.
- ▶ **Evitar que o corpo possa entrar em contacto com superfícies ligadas à terra, como tubos, aquecimentos, fogões e frigoríficos.** Há um risco

elevado devido a choque eléctrico, se o corpo estiver ligado à terra.

- ▶ **Manter o aparelho afastado de chuva ou humidade.** A infiltração de água numa ferramenta eléctrica aumenta o risco de choque eléctrico.
- ▶ **Não deverá utilizar o cabo para outras finalidades. Nunca utilizar o cabo para transportar a ferramenta eléctrica, para pendurá-la, nem para puxar a ficha da tomada. Manter o cabo afastado do calor, do óleo, de arestas afiadas ou de peças em movimento.** Cabos danificados ou emaranhados aumentam o risco de um choque eléctrico.
- ▶ **Se trabalhar com uma ferramenta eléctrica ao ar livre, só deverá utilizar cabos de extensão apropriados para áreas exteriores.** A utilização de um cabo de extensão apropriado para áreas exteriores reduz o risco de um choque eléctrico.
- ▶ **Se não for possível evitar o funcionamento da ferramenta eléctrica em áreas húmidas, deverá ser utilizado um disjuntor de corrente de avaria.** A utilização de um disjuntor de corrente de avaria reduz o risco de um choque eléctrico.

Segurança de pessoas

- ▶ **Esteja atento, observe o que está a fazer e tenha prudência ao trabalhar com a ferramenta eléctrica. Não utilizar uma ferramenta eléctrica quando estiver fatigado ou sob a influência de drogas, álcool ou medicamentos.** Um momento de descuido ao utilizar a ferramenta eléctrica, pode levar a lesões graves.
- ▶ **Utilizar equipamento de protecção individual. Utilizar sempre óculos de protecção.** A utilização de equipamento de protecção pessoal, como máscara de protecção contra pó, sapatos de segurança antiderrapantes, capacete de segurança ou protecção auricular, de acordo com o tipo e aplicação da ferramenta eléctrica, reduz o risco de lesões.
- ▶ **Evitar uma colocação em funcionamento involuntária. Assegure-se de que a ferramenta eléctrica esteja desligada, antes de conectá-la à alimentação de rede e/ou ao acumulador, antes de levantá-la ou de transportá-la.** Se tiver o dedo no interruptor ao transportar a ferramenta eléctrica ou se o aparelho for conectado à alimentação de rede enquanto estiver ligado, poderão ocorrer acidentes.
- ▶ **Remover ferramentas de ajuste ou chaves de boca antes de ligar a ferramenta eléctrica.** Uma ferramenta ou chave que se encontre numa parte do aparelho em movimento pode levar a lesões.
- ▶ **Evite uma posição anormal. Mantenha uma posição firme e mantenha sempre o equilíbrio.** Desta forma é mais fácil controlar a ferramenta eléctrica em situações inesperadas.
- ▶ **Usar roupa apropriada. Não usar roupa larga nem jóias. Mantenha os cabelos e roupas afastados de peças em movimento.** Roupas frouxas, cabelos longos ou jóias podem ser agarrados por peças em movimento.

- ▶ **Se for possível montar dispositivos de aspiração ou de recolha, assegure-se de que estejam conectados e utilizados correctamente.** A utilização de uma aspiração de pó pode reduzir o perigo devido ao pó.
- ▶ **Não deixe que a familiaridade resultante de uma utilização frequente de ferramentas permita que você se torne complacente e ignore os princípios de segurança da ferramenta.** Uma acção descuidada pode causar ferimentos graves numa fracção de segundo.

Utilização e manuseio cuidadoso de ferramentas eléctricas

- ▶ **Não sobrecarregue a ferramenta eléctrica. Utilize a ferramenta eléctrica apropriada para o seu trabalho.** É melhor e mais seguro trabalhar com a ferramenta eléctrica apropriada na área de potência indicada.
- ▶ **Não utilizar uma ferramenta eléctrica com um interruptor defeituoso.** Uma ferramenta eléctrica que não pode mais ser ligada nem desligada, é perigosa e deve ser reparada.
- ▶ **Puxar a ficha da tomada e/ou remover o acumulador, se amovível, antes de executar ajustes na ferramenta eléctrica, de substituir acessórios ou de guardar as ferramentas eléctricas.** Esta medida de segurança evita o arranque involuntário da ferramenta eléctrica.
- ▶ **Guardar ferramentas eléctricas não utilizadas fora do alcance de crianças e não permitir que as pessoas que não estejam familiarizadas com o aparelho ou que não tenham lido estas instruções utilizem o aparelho.** Ferramentas eléctricas são perigosas se forem utilizadas por pessoas inexperientes.
- ▶ **Tratar a ferramenta eléctrica e os acessórios com cuidado. Controlar se as partes móveis do aparelho funcionam perfeitamente e não emperram, e se há peças quebradas ou danificadas que possam prejudicar o funcionamento da ferramenta eléctrica. Permitir que peças danificadas sejam reparadas antes da utilização.** Muitos acidentes têm como causa, a manutenção insuficiente de ferramentas eléctricas.
- ▶ **Manter as ferramentas de corte afiadas e limpas.** Ferramentas de corte cuidadosamente tratadas e com cantos de corte afiados emperram com menos frequência e podem ser conduzidas com maior facilidade.
- ▶ **Utilizar a ferramenta eléctrica, acessórios, ferramentas de aplicação, etc. conforme estas instruções. Considerar as condições de trabalho e a tarefa a ser executada.** A utilização de ferramentas eléctricas para outras tarefas a não ser as aplicações previstas, pode levar a situações perigosas.
- ▶ **Mantenha os punhos e as superfícies de agarrar secas, limpas e livres de óleo e massa consistente.** Punhos e superfícies de agarrar escorregadias não permitem o manuseio e controle seguros da ferramenta em situações inesperadas.

Manuseio e utilização cuidadosos de ferramentas com acumuladores

- ▶ **Só carregar acumuladores em carregadores recomendados pelo fabricante.** Há perigo de incêndio se um carregador apropriado para um certo tipo de acumuladores for utilizado para carregar acumuladores de outros tipos.
- ▶ **Só utilizar ferramentas eléctricas com os acumuladores apropriados.** A utilização de outros acumuladores pode levar a lesões e perigo de incêndio.
- ▶ **Manter o acumulador que não está sendo utilizado afastado de cliques, moedas, chaves, parafusos ou outros pequenos objectos metálicos que possam causar um curto-circuito dos contactos.** Um curto-circuito entre os contactos do acumulador pode ter como consequência queimaduras ou fogo.
- ▶ **No caso de aplicação incorrecta pode vaziar líquido do acumulador. Evitar o contacto. No caso de um contacto accidental, deverá enxaguar com água. Se o líquido entrar em contacto com os olhos, também deverá consultar um médico.** Líquido que escapa do acumulador pode levar a irritações da pele ou a queimaduras.
- ▶ **Não use um acumulador ou uma ferramenta danificada ou modificada.** Os acumuladores danificados ou modificados exibem um comportamento imprevisível podendo causar incêndio, explosão ou risco de lesão.
- ▶ **Não exponha o acumulador ou a ferramenta ao fogo ou temperatura excessiva.** A exposição ao fogo ou a temperaturas acima de 130 °C pode causar explosão.
- ▶ **Siga todas as instruções de carregamento e não carregue o acumulador ou a ferramenta fora da faixa de temperatura especificada no manual de instruções.** Carregar indevidamente ou em temperaturas fora da faixa especificada pode danificar o acumulador e aumentar o risco de incêndio.

Serviço

- ▶ **Só permita que o seu aparelho seja reparado por pessoal especializado e qualificado e só com peças de reposição originais.** Desta forma é assegurado o funcionamento seguro do aparelho.
- ▶ **Nunca tente reparar acumuladores danificados.** A reparação de acumuladores deve ser realizada apenas pelo fabricante ou agentes de assistência autorizados.

Instruções de segurança para martelos

Instruções de segurança para todas as operações

- ▶ **Use protetores auditivos.** A exposição ao ruído pode provocar a perda da audição.
- ▶ **Use o(s) punho(s) auxiliar(es), caso seja(m) fornecido(s) com a ferramenta.** A perda de controlo pode resultar em ferimentos pessoais.
- ▶ **Segure a ferramenta elétrica nas superfícies de agarrar isoladas, ao executar uma operação onde o acessório de corte possa entrar em contacto com cabos escondidos.** Se o acessório de corte entrar em

contacto com um fio "sob tensão", as partes metálicas expostas da ferramenta elétrica ficam "sob tensão" e podem produzir um choque elétrico.

Instruções de segurança ao usar brocas longas com martelos perfuradores

- ▶ **Comece sempre a perfurar a baixa velocidade e com a ponta da broca em contacto com a peça de trabalho.** A velocidades mais altas, a broca pode dobrar-se ao rodar livremente sem entrar em contacto com a peça de trabalho, causando ferimento pessoal.
- ▶ **Aplique pressão apenas em linha direta com a broca e não aplique pressão excessiva.** As brocas podem dobrar-se, causando rutura ou perda de controlo, ou mesmo ferimento pessoal.

Instruções de segurança adicionais

- ▶ **Utilizar detetores apropriados, para encontrar cabos escondidos, ou consulte a companhia elétrica local.** O contacto com cabos elétricos pode provocar fogo e choques elétricos. Danos em tubos de gás podem levar à explosão. A infiltração num cano de água provoca danos materiais.
- ▶ **Espere que a ferramenta elétrica pare completamente, antes de depositá-la.** A ferramenta de aplicação pode emperrar e levar à perda de controlo sobre a ferramenta elétrica.
- ▶ **Fixar a peça a ser trabalhada.** Uma peça a ser trabalhada fixa com dispositivos de aperto ou com torno de bancada está mais firme do que segurada com a mão.
- ▶ **Em caso de danos e de utilização incorreta da bateria, podem escapar vapores. A bateria pode incendiar-se ou explodir.** Areje o espaço e procure assistência médica no caso de apresentar queixas. É possível que os vapores irrite as vias respiratórias.
- ▶ **Não abrir o acumulador.** Há risco de um curto-circuito.
- ▶ **Os objetos afiados como, p. ex., pregos ou chaves de fendas, assim como o efeito de forças externas podem danificar o acumulador.** Podem causar um curto-circuito interno e o acumulador pode ficar queimado, deitar fumo, explodir ou sobreaquecer.
- ▶ **Use a bateria apenas em produtos do fabricante.** Só assim é que a bateria é protegida contra sobrecarga perigosa.



Proteger a bateria contra calor, p. ex. também contra uma permanente radiação solar, fogo, sujidade, água e humidade. Há risco de explosão ou de um curto-circuito.

- ▶ **Logo a seguir à operação não toque nos acessórios ou em peças da carcaça adjacentes.** Estes podem ficar muito quentes durante a operação e causar queimaduras.
- ▶ **O acessório pode bloquear durante a perfuração. Durante o trabalho, providencie uma estabilidade segura e segure o aparelho com as duas mãos.** Caso contrário poderá perder o controlo sobre a ferramenta elétrica.

- ▶ **Tenha cuidado nos trabalhos de demolição com o cinzel.** Fragmentos do material de demolição podem ferir pessoas à volta ou a própria pessoa.
- ▶ **Durante o trabalho, segure a ferramenta elétrica com as duas mãos e providencie uma estabilidade segura.** A ferramenta elétrica é conduzida com maior segurança com ambas as mãos.
- ▶ **Cuidado! A utilização da ferramenta elétrica com Bluetooth[®] pode dar origem a avarias noutros aparelhos e instalações, aviões e dispositivos médicos (p. ex. pacemakers, aparelhos auditivos). Do mesmo modo, não é possível excluir totalmente danos para pessoas e animais que se encontrem nas proximidades imediatas. Não utilize a ferramenta elétrica com Bluetooth[®] na proximidade de dispositivos médicos, postos de abastecimento de combustível, instalações químicas, áreas com perigo de explosão e zonas de demolição. Não utilize a ferramenta elétrica com Bluetooth[®] em aviões. Evite a operação prolongada em contacto direto com o corpo.**

A marca nominativa *Bluetooth[®]* tal como o símbolo (logótipo), são marcas registadas e propriedade da *Bluetooth SIG, Inc.* Qualquer utilização desta marca nominativa/deste símbolo por parte da *Robert Bosch Power Tools GmbH* possui a devida autorização.

Símbolos

Os seguintes símbolos podem ser importantes para a utilização da sua ferramenta elétrica. Os símbolos e os seus significados devem ser memorizados. A interpretação correta dos símbolos facilita a utilização segura e aprimorada da ferramenta elétrica.

Símbolos e seus significados



Para substituir a ferramenta de trabalho, puxar a bucha de travamento para trás.



Descrição do produto e do serviço



Leia todas as instruções de segurança e instruções. A inobservância das instruções de segurança e das instruções pode causar choque elétrico, incêndio e/ou ferimentos graves.

Respeite as figuras na parte da frente do manual de instruções.

Dados técnicos

Martelo perfurador sem fio		GBH 18V-40 C	GBH 18V-40 C
Número de produto		3 611 J17 0..	3 611 J17 1..
Tensão nominal	V=	18	18
N.º de impactos ^{A)}	i.p.m.	0–3130	0–3130

Utilização adequada

A ferramenta elétrica é destinada para furar com martelo em betão, alvenaria e pedra, assim como para trabalhos de cinzelagem.

Os dados e as definições da ferramenta elétrica podem ser transmitidos entre ferramenta e o aparelho terminal móvel através do *Bluetooth[®] Low Energy Module GCY 42* via tecnologia de radiotransmissão *Bluetooth[®]*.

Componentes ilustrados

A numeração dos componentes ilustrados refere-se à apresentação da ferramenta elétrica na página de esquemas.

- (1) Bucha SDS max
- (2) Encabadouro SDS max
- (3) Capa de proteção contra pó
- (4) Bucha de travamento
- (5) Interruptor de bloqueio de rotação
- (6) Amortecimento das vibrações
- (7) Tecla de fixação para o interruptor de ligar/desligar
- (8) Punho (superfície do punho isolada)
- (9) Interruptor de ligar/desligar
- (10) Bateria^{a)}
- (11) Luz de trabalho
- (12) Punho adicional (superfície do punho isolada)
- (13) Tecla de desbloqueio da bateria^{a)}
- (14) Interface de utilizador
- (15) Cobertura do *Bluetooth[®] Low Energy Module GCY 42*
- (16) Indicador do nível de carga da bateria (interface de utilizador)
- (17) Indicação do desligamento rápido (interface de utilizador)
- (18) Indicação dos modos de trabalho (interface de utilizador)
- (19) Tecla para seleção do modo de trabalho (interface de utilizador)
- (20) Indicação de estado da ferramenta elétrica (interface de utilizador)
- (21) Símbolo de smartphone (interface de utilizador)
- (22) Indicação temperatura (interface de utilizador)

a) **Accesórios apresentados ou descritos não pertencem ao volume de fornecimento padrão. Todos os acessórios encontram-se no nosso programa de acessórios.**

Martelo perfurador sem fio		GBH 18V-40 C	GBH 18V-40 C
Intensidade de impacto individual conforme EPTA-Procedure 05:2016	J	9,0	9,0
rotações nominais	r.p.m.	0-360	0-360
Encabadouro		SDS max	SDS max
Bluetooth® Low Energy Modul GCY 42		● ^{B)}	— ^{C)}
Diâmetro máx. de perfuração:			
– Betão	mm	40	40
– Betão (com broca de coroa oca)	mm	90	90
Peso conforme EPTA-Procedure 01:2014 ^{D)}	kg	7,4-8,4	7,4-8,4
Comprimento	mm	502	502
Altura	mm	253	253
Temperatura ambiente recomendada durante o carregamento	°C	0 ... +35	0 ... +35
Temperatura ambiente admissível em funcionamento ^{E)} e durante o armazenamento	°C	-20 ... +50	-20 ... +50
Baterias compatíveis		GBA 18V... ProCORE18V...	GBA 18V... ProCORE18V...
Baterias recomendadas para potência máxima		ProCORE18V... ≥ 5,5 Ah	ProCORE18V... ≥ 5,5 Ah
Carregadores recomendados		GAL 18... GAX 18... GAL 36...	GAL 18... GAX 18... GAL 36...
Transferência de dados			
Bluetooth®		Bluetooth® 4.2 (Low Energy) ^{F)}	Bluetooth® 4.2 (Low Energy) ^{F)}
Distância do sinal	s	8	8
Alcance máximo do sinal ^{G)}	m	30	30

A) Medido a 20–25 °C com bateria **GBA 18V 8.0Ah**.

B) pré-montado

C) pode ser montado posteriormente

D) dependendo da bateria utilizada

E) Potência limitada com temperaturas < 0 °C e > 40 °C

F) Os aparelhos terminais móveis têm de ser compatíveis com os aparelhos Low Energy Bluetooth® (versão 4.2) e suportar o Generic Access Profile (GAP).

G) O raio de ação pode variar substancialmente em função das condições externas, incluindo do aparelho recetor utilizado. Dentro de recintos fechados e através de barreiras metálicas (p. ex. paredes, prateleiras, malas, etc.) o raio de ação do Bluetooth® pode ser claramente menor.

Informação sobre ruídos/vibrações

Os valores de emissão de ruído foram determinados de acordo com **EN IEC 62841-2-6**.

O nível sonoro avaliado como A da ferramenta elétrica é normalmente de: nível de pressão sonora **93 dB(A)**; nível de potência sonora **104 dB(A)**. Incerteza K = **4 dB**.

Utilizar proteção auditiva!

Valores totais de vibração a_h (soma dos vetores das três direções) e incerteza K determinada segundo **EN IEC 62841-2-6**:

Furar com martelo em betão: $a_h = 7,5 \text{ m/s}^2$, K = **1,5** m/s^2 ,

Cinzelar: $a_h = 7,0 \text{ m/s}^2$, K = **1,5** m/s^2 ,

O nível de vibrações indicado nestas instruções e o valor de emissões sonoras foram medidos de acordo com um

processo de medição normalizado e podem ser utilizados para a comparação de ferramentas elétricas. Também são adequados para uma avaliação provisória das emissões sonoras e de vibrações.

O nível de vibrações indicado e o valor de emissões sonoras representam as aplicações principais da ferramenta elétrica. Se a ferramenta elétrica for utilizada para outras aplicações, com outras ferramentas de trabalho ou com manutenção insuficiente, é possível que o nível de vibrações e de emissões sonoras seja diferente. Isto pode aumentar sensivelmente a emissão sonora e de vibrações para o período completo de trabalho.

Para uma estimação exata da emissão sonora e de vibrações, também deveriam ser considerados os períodos nos quais o aparelho está desligado ou funciona, mas não

está sendo utilizado. Isto pode reduzir a emissão sonora e de vibrações durante o completo período de trabalho.

Além disso também deverão ser estipuladas medidas de segurança para proteger o operador contra o efeito de vibrações, como por exemplo: manutenção de ferramentas elétricas e acessórios, manter as mãos quentes e organização dos processos de trabalho.

Bateria

Bosch vende ferramentas elétricas sem fio também sem bateria. Pode consultar na embalagem se está incluída uma bateria no volume de fornecimento da sua ferramenta elétrica.

Carregar a bateria

► **Utilize apenas os carregadores listados nos dados técnicos.** Só estes carregadores são apropriados para as baterias de lítio utilizadas para a sua ferramenta elétrica.

Nota: devido a normas de transporte internacionais, as baterias de lítio são fornecidas parcialmente carregadas. Para assegurar a completa potência da bateria, a bateria deverá ser carregada completamente antes da primeira utilização.

Colocar a bateria

Insira a bateria carregada no respetivo encaixe, até que esta esteja engatada.



Retirar a bateria

Para retirar a bateria, pressione a respetiva tecla de desbloqueio e puxe a bateria para fora. **Não empregue força.**

A bateria possui 2 níveis de travamento, que devem evitar, que a bateria caia, caso a tecla de desbloqueio da bateria seja premeida por acaso. Enquanto a bateria estiver dentro da ferramenta elétrica, ela é mantida em posição por uma mola.

Indicador do nível de carga da bateria

Os LEDs verdes do indicador do nível de carga da bateria indicam o nível de carga da bateria. Por motivos de segurança, a consulta do nível de carga só é possível com a ferramenta elétrica parada.

Prima a tecla para o indicador do nível de carga da bateria  ou  para visualizar o nível de carga. Isto também é possível com a bateria removida.

Se, depois de premir a tecla para o indicador do nível de carga da bateria, não se acender qualquer LED, a bateria tem defeito e tem de ser substituída.

O nível de carga da bateria também é indicado na interface do utilizador Indicadores de estado.

Tipo de bateria GBA 18V...



LED	Capacidade
Luz permanente 3 × verde	60–100 %
Luz permanente 2 × verde	30–60 %
Luz permanente 1 × verde	5–30 %
Luz intermitente 1 × verde	0–5 %

Tipo de bateria ProCORE18V...



LED	Capacidade
Luz permanente 5 × verde	80–100 %
Luz permanente 4 × verde	60–80 %
Luz permanente 3 × verde	40–60 %
Luz permanente 2 × verde	20–40 %
Luz permanente 1 × verde	5–20 %
Luz intermitente 1 × verde	0–5 %

Indicações sobre o manuseio ideal da bateria

Proteger a bateria contra humidade e água.

Armazene a bateria apenas na faixa de temperatura de –20 °C a 50 °C. Por exemplo, não deixe a bateria dentro do automóvel no verão.

Limpar de vez em quando as aberturas de ventilação da bateria com um pincel macio, limpo e seco.

Um tempo de funcionamento reduzido após o carregamento indica que a bateria está gasta e que deve ser substituída.

Observe as indicações sobre a eliminação de forma ecológica.

Montagem

- **A bateria deverá ser retirada antes de todos os trabalhos na ferramenta elétrica (p. ex. manutenção, troca de ferramenta etc.) e antes de transportar ou de armazenar a mesma.** Há perigo de ferimentos se o interruptor de ligar/desligar for acionado involuntariamente.
- **Prima a tecla de fixação para fixar o interruptor de ligar/desligar antes de qualquer trabalho na ferramenta elétrica (p. ex. manutenção, troca de acessório, etc.), assim como para transporte e armazenamento.** Há perigo de ferimentos se o interruptor de ligar/desligar for acionado involuntariamente.

Usar **Bluetooth® Low Energy Module GCY 42** (acessório)

Para informações acerca do **Bluetooth® Low Energy Module GCY 42** leia as respetivas instruções de utilização.

Punho adicional

- **Utilize a ferramenta elétrica apenas com o punho adicional (12).**
- **Certifique-se de que o punho adicional está sempre bem apertado.** Caso contrário poderá perder o controlo sobre a ferramenta durante o trabalho.

Virar o punho adicional (ver figura B)

Podemos virar o punho adicional (12) à sua vontade, para obter uma posição de trabalho segura e sem fadiga.

- Rode a peça do punho do punho adicional (12) para a esquerda e vire o punho adicional (12) para a posição desejada. A seguir, volte a apertar a peça de punho inferior do punho adicional (12) para a direita. Observe que a cinta de aperto do punho adicional esteja na ranhura prevista para tal, que se encontra na carcaça da ferramenta.

Selecionar bucha e ferramentas

Para furar com martelo e para cinzelar, são necessárias ferramentas SDS-max, que são encaixadas na bucha SDS-max.

Troca de ferramenta

A capa de proteção contra pó (3) evita consideravelmente que penetre pó de perfuração no encabadouro durante o funcionamento. Ao introduzir a ferramenta, certifique-se de que a capa de proteção contra pó (3) não é danificada.

- **Uma capa de proteção contra pó danificada deve ser substituída imediatamente. Recomendamos que o faça no Serviço de Assistência Técnica.**

Troca de ferramenta (SDS-max)

Introduzir a ferramenta de trabalho (ver figura C)

Com o encabadouro SDS-max é possível trocar fácil e confortavelmente as ferramentas de trabalho, sem ter que utilizar ferramentas.

- Limpe a haste de encaixe da ferramenta de trabalho e lubrifique levemente.
- Desloque a bucha de travamento (4) para trás e coloque o acessório rodando-o no encabadouro. Volte a soltar a bucha de travamento (4) para fixar o acessório.
- Puxe a ferramenta para controlar o travamento.

Retirar a ferramenta de trabalho (ver figura D)

- Empurre a bucha de travamento (4) para trás e retire a ponta de aparafusar.

Aspiração de pó/de aparas

Pós de materiais como por exemplo, tintas que contém chumbo, alguns tipos de madeira, minerais e metais, podem ser nocivos à saúde. O contacto ou a inalação dos pós pode provocar reações alérgicas e/ou doenças nas vias

respiratórias do utilizador ou das pessoas que se encontrem por perto.

Certos pós, como por exemplo pó de carvalho e faia são considerados como sendo cancerígenos, especialmente quando juntos com substâncias para o tratamento de madeiras (cromato, preservadores de madeira). Material que contém asbesto só deve ser processado por pessoal especializado.

- Assegurar uma boa ventilação do local de trabalho.
- É recomendável usar uma máscara de proteção respiratória com filtro da classe P2.

Observe as diretivas para os materiais a serem processados, vigentes no seu país.

- **Evite a acumulação de pó no local de trabalho.** Pós podem entrar levemente em ignição.

Funcionamento

Colocação em funcionamento

- Certifique-se de que a cobertura (15) do **Bluetooth® Low Energy Module GCY 42** está fechada durante o funcionamento. Deste modo, evitará a entrada de pó.

Ajustar o meu modo de operação (ver figura E)

Com o interruptor de bloqueio de rotação (5) seleciona o modo de operação da ferramenta elétrica.

- Para mudar o modo de operação, rode o interruptor de bloqueio de rotação (5) para a posição desejada.

Nota: Mude o modo de operação apenas com a ferramenta elétrica desligada! Caso contrário a ferramenta elétrica pode ficar danificada.

Nota: Se mudar para outro modo de operação enquanto o interruptor de ligar/desligar está travado, a ferramenta elétrica desliga-se.

Posição para furar com martelo

Se a ferramenta de trabalho não rodar imediatamente, deixe a ferramenta elétrica funcionar lentamente até a ferramenta de trabalho começar a rodar.

Posição **Vario-Lock** para ajustar a posição de cinzelamento



Posição para **Cinzelar**

Ligar/desligar

- Se necessário, solte a tecla de fixação (7) para o interruptor de ligar/desligar.

- Para **ligar** a ferramenta elétrica, prima o interruptor de ligar/desligar **(9)**.

A luz de trabalho **(11)** acende-se com o interruptor de ligar/desligar **(9)** completamente ou ligeiramente premido e permite iluminar o local de trabalho em caso de condições de iluminação desfavoráveis.

- Para **desligar** a ferramenta elétrica, liberte o interruptor de ligar/desligar **(9)**.

No caso de temperaturas baixas, a ferramenta elétrica só atinge o seu poder de martelar/impacto completo após algum tempo.

Ajustar o número de rotações/impactos

Pode regular o número de rotações/impactos da ferramenta elétrica ligada de forma contínua, consoante a pressão que faz no interruptor de ligar/desligar **(9)**.

Uma leve pressão sobre o interruptor de ligar/desligar **(9)** proporciona um número de rotações/impactos baixo.

Aumentando a pressão, é aumentado o n.º de rotações/impactos.

Também pode regular o número de rotações na interface de utilizador ou através da aplicação para smartphone.

Alterar a posição do cinzel (Vario-Lock)

Pode fixar o cinzel em **16** posições. Desta forma pode escolher a melhor posição de trabalho para si.

- Introduzir o cinzel no encabadouro.
- Rode o interruptor de bloqueio de rotação **(5)** para a posição "Vario-Lock".
- Rode a ferramenta de trabalho para a posição do cinzel desejada.
- Rode o interruptor de bloqueio de rotação **(5)** para a posição "Cinzelar". Desta forma o encabadouro fica bloqueado.

Cinzelar com função de travamento

Para cinzelar por mais tempo sem premir permanentemente o interruptor de ligar/desligar **(9)**, fixe o interruptor de ligar/desligar no modo de operação "Cinzelar".

- Para **fixar** prima o interruptor de ligar/desligar **(9)** até ao batente e prima simultaneamente a tecla de fixação **(7)**.
- Para desligar, prima novamente a tecla de fixação **(7)**.

Interface de utilizador (ver figura F)

A interface de utilizador **(14)** é utilizada para a seleção do modo de trabalho bem como para a indicação do estado da ferramenta elétrica.

Indicadores de estado

Indicação de estado da ferramenta elétrica (20)	Significado/causa	Solução
Verde	Estado OK	–
Amarelo	Temperatura crítica atingida ou bateria quase vazia	Deixar a ferramenta elétrica funcionar em vazio e arrefecer ou trocar ou carregar bateria em breve
Vermelho	A ferramenta elétrica está sobreaquecida ou a bateria está vazia	Deixar a ferramenta elétrica arrefecer ou trocar ou carregar a bateria
Vermelho	Tecla de fixação no modo de operação «Furar com martelo» acionada	Premir novamente a tecla de fixação
	Interruptor de bloqueio de rotação acionado durante operação	Desligar e voltar a ligar a ferramenta elétrica
	O motor está bloqueado, a bateria não tem carga suficiente	Carregar bateria ou usar tipo de bateria recomendado
	Erros gerais	– Desligar e voltar a ligar a ferramenta elétrica ou remover e voltar a colocar a bateria
		Se o erro persistir: – Enviar a ferramenta elétrica para o serviço de apoio ao cliente
Piscar a vermelho – em combinação com a indicação do desligamento rápido (17)	O desligamento rápido ativou-se	Desligar e voltar a ligar a ferramenta elétrica
Piscar a azul	A ferramenta elétrica estabelece ligação com o aparelho terminal móvel ou as definições são transferidas	–

Indicador do nível de carga da bateria (interface de utilizador) (16)	Significado/Causa	Solução
verde (2 a 5 barras)	Bateria carregada	–
amarelo (1 barra)	Bateria quase vazia	Trocar ou carregar bateria em breve
vermelho (1 barra)	Acumulador vazio	Trocar ou carregar bateria

Símbolo de smartphone (21)	Significado/causa
–	No caso de haver um aparelho terminal móvel conectado através da tecnologia de radiotransmissão <i>Bluetooth</i> [®] podem estar disponíveis mais informações no mesmo.

Indicação da temperatura (22)	Significado/causa	Solução
Amarelo	A temperatura de serviço da bateria ou da ferramenta elétrica aumenta claramente, a potência é reduzida	Deixar a ferramenta elétrica arrefecer ou substituir a bateria sobreaquecida
Vermelho	A temperatura de serviço da bateria ou da ferramenta elétrica foi ultrapassada. Como medida de proteção, a ferramenta elétrica é desligada	Deixar a ferramenta elétrica arrefecer ou substituir a bateria sobreaquecida

Selecionar o modo de trabalho

Prima a tecla **(19)** para escolher o modo de trabalho o número de vezes necessárias até acender o modo de trabalho desejado.

Nota: nos modos de trabalho **Auto** e **Soft** as funções estão predefinidas. No modo de trabalho **Favorite** as funções predefinidas podem ser configuradas através da aplicação para smartphone.

Indicação do modo de trabalho (18)	Funções
Auto <small>aceso</small>	<p>Modo de trabalho Auto: mais rápido, arranque controlado até à potência máxima</p> <ul style="list-style-type: none"> – Modo de operação "furar com martelo" (arranque suave Electronic Precision Control): mais rápido, arranque controlado até à potência máxima – Desligamento rápido (KickBack Control) ativo – Modo de operação "Cinzelar" (arranque suave Adaptive Speed Control): mais rápido, arranque controlado até à potência máxima
Favorite <small>aceso</small>	<p>Modo de trabalho Favorite: configuração individual através da aplicação para smartphone (apenas 3 611 J17 0.. juntamente com o <i>Bluetooth</i>[®] Low Energy Module GCY 42)</p> <p>As seguintes definições estão pré-configuradas:</p> <ul style="list-style-type: none"> – Modo de operação "Furar com martelo" (arranque suave Electronic Precision Control): arranque controlado até uma potência reduzida, média – Desligamento rápido (KickBack Control) ativo – Modo de operação "Cinzelar" (arranque suave Adaptive Speed Control): arranque o mais rápido possível até à potência máxima
Soft <small>aceso</small>	<p>Modo de trabalho Soft: potência reduzida para o processamento de materiais sensíveis</p> <ul style="list-style-type: none"> – Modo de operação "Furar com martelo" (arranque suave Electronic Precision Control): arranque mais lento, fortemente controlado até uma potência reduzida, baixa – Desligamento rápido (KickBack Control) ativo – Modo de operação "Cinzelar" (arranque suave Adaptive Speed Control): arranque mais lento, fortemente controlado até uma potência reduzida

Funções Connectivity

Combinado com o *Bluetooth*® Low Energy Module **GCY 42** estão disponíveis as seguintes funções Connectivity para a ferramenta elétrica:

- Registo e personalização
- Verificação do estado, emissão de mensagens de aviso
- Informações gerais e ajustes
- Gestão

Para informações acerca do *Bluetooth*® Low Energy Module **GCY 42** leia as respetivas instruções de utilização.

Instruções de trabalho

- ▶ **A ferramenta elétrica com *Bluetooth*® Low Energy Module GCY 42 colocado está equipada com uma interface de comunicações. Devem ser respeitadas as limitações de utilização locais, p. ex. em aviões ou hospitais.**
- ▶ **Nas áreas onde a tecnologia de radiotransmissão *Bluetooth*® não pode ser usada, têm de ser retirados o *Bluetooth*® Low Energy Module GCY 42 e a pilha botão.**

Nota: A cobertura **(15)** só pode ser fechada em segurança se o *Bluetooth*® Low Energy Module GCY 42 e a pilha botão se encontrarem na ferramenta elétrica.

- Para **desativar** o *Bluetooth*® Low Energy Module GCY 42 rodar a pilha botão ou colocar um isolamento entre a pilha botão e o *Bluetooth*® Low Energy Module GCY 42.
- Feche a cobertura **(15)**, para que não entre sujidade.

Acoplamento de sobrecarga

- ▶ **Se o acessório emperrar ou pender, a força motriz do veio da broca é interrompida. Devido às forças que se formam, segure sempre a ferramenta elétrica bem com as duas mãos e coloque-se sobre uma base estável.**
- ▶ **Desligue a ferramenta elétrica e solte o acessório se a ferramenta elétrica encravar. Ao ligar o aparelho com uma broca bloqueada são produzidos altos momentos de reação.**

Desligamento rápido (Kickback Control)



O desligamento rápido (KickBack Control) oferece um melhor controlo sobre a ferramenta elétrica e aumenta assim a proteção do utilizador comparativamente a ferramentas elétricas sem KickBack Control. Em caso de uma rotação repentina e imprevista da ferramenta elétrica sobre o eixo de perfuração, a ferramenta elétrica desliga-se, a indicação do desligamento rápido **(17)** acende-se a vermelho e a luz de trabalho **(11)** pisca. Com o desligamento rápido ativo, pisca a indicação de estado **(20)** a vermelho.

- Para **voltar a colocar em funcionamento** solte o interruptor de ligar/desligar **(9)** e volte a acioná-lo.

Electronic Precision Control (EPC)

O sistema EPC dá-lhe apoio ao furar e em trabalhos com impacto em materiais sensíveis através de um arranque lento da velocidade de trabalho para um trabalho preciso.

Controlo das rotações eletrónico (Adaptive Speed Control) no modo de operação "Cinzelar"



Para um melhor controlo e uma aplicação precisa, a ferramenta elétrica inicia com um número de rotações reduzido e aumenta-o então até ao número de rotações definido.

O controlo das rotações eletrónico é ativado automaticamente com a aplicação da ferramenta elétrica.

Amortecimento das vibrações



O amortecimento das vibrações integrado reduz a ocorrência de vibrações.

- ▶ **Não continue a usar a ferramenta elétrica se o elemento amortecedor estiver danificado.**

Manutenção e assistência técnica

Manutenção e limpeza

- ▶ **A bateria deverá ser retirada antes de todos os trabalhos na ferramenta elétrica (p. ex. manutenção, troca de ferramenta etc.) e antes de transportar ou de armazenar a mesma.** Há perigo de ferimentos se o interruptor de ligar/desligar for acionado involuntariamente.
- ▶ **Manter a ferramenta elétrica e as aberturas de ventilação sempre limpas, para trabalhar bem e de forma segura.**
- ▶ **Uma capa de proteção contra pó danificada deve ser substituída imediatamente. Recomendamos que o faça no Serviço de Assistência Técnica.**
- Limpar o encabadouro **(2)** depois de cada utilização.

Serviço pós-venda e aconselhamento

O serviço pós-venda responde às suas perguntas a respeito de serviços de reparação e de manutenção do seu produto, assim como das peças sobressalentes. Desenhos explodidos e informações acerca das peças sobressalentes também em:

www.bosch-pt.com

A nossa equipa de consultores Bosch esclarece com prazer todas as suas dúvidas a respeito dos nossos produtos e acessórios.

Indique para todas as questões e encomendas de peças sobressalentes a referência de 10 dígitos de acordo com a placa de características do produto.

Brasil

Robert Bosch Ltda. – Divisão de Ferramentas Elétricas
Rodovia Anhanguera, Km 98 - Parque Via Norte
13065-900, CP 1195
Campinas, São Paulo

Tel.: 0800 7045 446
www.bosch.com.br/contato

Encontra outros endereços da assistência técnica em:
www.bosch-pt.com/serviceaddresses

Transporte

As baterías de íões de lítio recomendadas estão sujeitas ao direito de materiais perigosos. As baterías podem ser transportadas na rua pelo utilizador, sem mais obrigações. Na expedição por terceiros (por ex: transporte aéreo ou expedição), devem ser observadas as especiais exigências quanto à embalagem e à designação. Neste caso é necessário consultar um especialista de materiais perigosos ao preparar a peça a ser trabalhada.

Só enviar baterías se a carcaça não estiver danificada. Colar contactos abertos e embalar a batería de modo que não possa se movimentar dentro da embalagem. Por favor observe também eventuais diretivas nacionais suplementares.

Eliminação



As ferramentas eléctricas, as baterías, os acessórios e as embalagens devem ser enviados a uma reciclagem ecológica de matéria prima.



Não deitar ferramentas eléctricas e baterías/pilhas no lixo doméstico!

Baterías/pilhas:

Lítio:

Observar as indicações no capítulo Transporte (ver "Transporte", Página 33).

cas de conexión a la red (con cable de red) y a herramientas eléctricas accionadas por acumulador (sin cable de red).

Seguridad del puesto de trabajo

- ▶ **Mantenga el área de trabajo limpia y bien iluminada.** Las áreas desordenadas u oscuras pueden provocar accidentes.
- ▶ **No utilice herramientas eléctricas en un entorno con peligro de explosión, en el que se encuentren combustibles líquidos, gases o material en polvo.** Las herramientas eléctricas producen chispas que pueden llegar a inflamar los materiales en polvo o vapores.
- ▶ **Mantenga alejados a los niños y otras personas de su puesto de trabajo al emplear la herramienta eléctrica.** Una distracción le puede hacer perder el control sobre la herramienta eléctrica.

Seguridad eléctrica

- ▶ **El enchufe de la herramienta eléctrica debe corresponder a la toma de corriente utilizada. No es admisible modificar el enchufe en forma alguna. No emplear adaptadores en herramientas eléctricas dotadas con una toma de tierra.** Los enchufes sin modificar adecuados a las respectivas tomas de corriente reducen el riesgo de una descarga eléctrica.
- ▶ **Evite que su cuerpo toque partes conectadas a tierra como tuberías, radiadores, cocinas y refrigeradores.** El riesgo a quedar expuesto a una sacudida eléctrica es mayor si su cuerpo tiene contacto con tierra.
- ▶ **No exponga la herramienta eléctrica a la lluvia o a condiciones húmedas.** Existe el peligro de recibir una descarga eléctrica si penetran ciertos líquidos en la herramienta eléctrica.
- ▶ **No abuse del cable de red. No utilice el cable de red para transportar o colgar la herramienta eléctrica, ni tire de él para sacar el enchufe de la toma de corriente. Mantenga el cable de red alejado del calor, aceite, esquinas cortantes o piezas móviles.** Los cables de red dañados o enredados pueden provocar una descarga eléctrica.
- ▶ **Al trabajar con la herramienta eléctrica a la intemperie utilice solamente cables de prolongación apropiados para su uso al aire libre.** La utilización de un cable de prolongación adecuado para su uso en exteriores reduce el riesgo de una descarga eléctrica.
- ▶ **Si fuese imprescindible utilizar la herramienta eléctrica en un entorno húmedo, es necesario conectarla a través de un dispositivo de corriente residual (RCD) de seguridad (fusible diferencial).** La aplicación de un fusible diferencial reduce el riesgo a exponerse a una descarga eléctrica.

Seguridad de personas

- ▶ **Esté atento a lo que hace y emplee sentido común cuando utilice una herramienta eléctrica. No utilice la herramienta eléctrica si estuviese cansado, ni tampoco después de haber consumido drogas, alcohol o me-**

Español

Indicaciones de seguridad

Indicaciones generales de seguridad para herramientas eléctricas

⚠ ADVERTENCIA Lea íntegramente las advertencias de peligro, las instrucciones, las ilustraciones y las especificaciones entregadas con esta herramienta eléctrica. En caso de no atenerse a las instrucciones siguientes, ello puede ocasionar una descarga eléctrica, un incendio y/o una lesión grave.

Guardar todas las advertencias de peligro e instrucciones para futuras consultas.

El término "herramienta eléctrica" empleado en las siguientes advertencias de peligro se refiere a herramientas eléctricas.

dicamentos. El no estar atento durante el uso de la herramienta eléctrica puede provocarle serias lesiones.

- ▶ **Utilice un equipo de protección personal. Utilice siempre una protección para los ojos.** El riesgo a lesionarse se reduce considerablemente si se utiliza un equipo de protección adecuado como una mascarilla antipolvo, zapatos de seguridad con suela antideslizante, casco, o protectores auditivos.
- ▶ **Evite una puesta en marcha involuntaria. Asegurarse de que la herramienta eléctrica esté desconectada antes de conectarla a la toma de corriente y/o al montar el acumulador, al recogerla y al transportarla.** Si transporta la herramienta eléctrica sujetándola por el interruptor de conexión/desconexión, o si alimenta la herramienta eléctrica estando ésta conectada, ello puede dar lugar a un accidente.
- ▶ **Retire las herramientas de ajuste o llaves fijas antes de conectar la herramienta eléctrica.** Una herramienta de ajuste o llave fija colocada en una pieza rotante puede producir lesiones al poner a funcionar la herramienta eléctrica.
- ▶ **Evite posturas arriesgadas. Trabaje sobre una base firme y mantenga el equilibrio en todo momento.** Ello le permitirá controlar mejor la herramienta eléctrica en caso de presentarse una situación inesperada.
- ▶ **Lleve puesta una vestimenta de trabajo adecuada. No utilice vestimenta amplia ni joyas. Mantenga su pelo y vestimenta alejados de las piezas móviles.** La vestimenta suelta, el pelo largo y las joyas se pueden enganchar con las piezas en movimiento.
- ▶ **Si se proporcionan dispositivos para la conexión de las instalaciones de extracción y recogida de polvo, asegúrese que éstos estén conectados y que sean utilizados correctamente.** El empleo de estos equipos reduce los riesgos derivados del polvo.
- ▶ **No permita que la familiaridad ganada por el uso frecuente de herramientas eléctricas lo deje caer en la complacencia e ignore las normas de seguridad de herramientas.** Una acción negligente puede causar lesiones graves en una fracción de segundo.

Uso y trato cuidadoso de herramientas eléctricas

- ▶ **No sobrecargue la herramienta eléctrica. Utilice la herramienta eléctrica adecuada para su aplicación.** Con la herramienta eléctrica adecuada podrá trabajar mejor y más seguro dentro del margen de potencia indicado.
- ▶ **No utilice la herramienta eléctrica si el interruptor está defectuoso.** Las herramientas eléctricas que no se puedan conectar o desconectar son peligrosas y deben hacerse reparar.
- ▶ **Saque el enchufe de la red y/o retire el acumulador desmontable de la herramienta eléctrica, antes de realizar un ajuste, cambiar de accesorio o al guardar la herramienta eléctrica.** Esta medida preventiva reduce el riesgo a conectar accidentalmente la herramienta eléctrica.

- ▶ **Guarde las herramientas eléctricas fuera del alcance de los niños. No permita la utilización de la herramienta eléctrica a aquellas personas que no estén familiarizadas con su uso o que no hayan leído estas instrucciones.** Las herramientas eléctricas utilizadas por personas inexpertas son peligrosas.
- ▶ **Cuide las herramientas eléctricas y los accesorios. Controle la alineación de las piezas móviles, rotura de piezas y cualquier otra condición que pudiera afectar el funcionamiento de la herramienta eléctrica. En caso de daño, la herramienta eléctrica debe repararse antes de su uso.** Muchos de los accidentes se deben a herramientas eléctricas con un mantenimiento deficiente.
- ▶ **Mantenga los útiles limpios y afilados.** Los útiles mantenidos correctamente se dejan guiar y controlar mejor.
- ▶ **Utilice la herramienta eléctrica, los accesorios, los útiles, etc. de acuerdo a estas instrucciones, considerando en ello las condiciones de trabajo y la tarea a realizar.** El uso de herramientas eléctricas para trabajos diferentes de aquellos para los que han sido concebidas puede resultar peligroso.
- ▶ **Mantenga las empuñaduras y las superficies de las empuñaduras secas, limpias y libres de aceite y grasa.** Las empuñaduras y las superficies de las empuñaduras resbaladizas no permiten un manejo y control seguro de la herramienta eléctrica en situaciones imprevistas.

Trato y uso cuidadoso de herramientas accionadas por acumulador

- ▶ **Solamente recargar los acumuladores con los cargadores especificados por el fabricante.** Existe un riesgo de incendio al intentar cargar acumuladores de un tipo diferente al previsto para el cargador.
- ▶ **Utilice las herramientas eléctricas sólo con los acumuladores específicamente designados.** El uso de otro tipo de acumuladores puede provocar daños e incluso un incendio.
- ▶ **Si no utiliza el acumulador, guárdelo separado de objetos metálicos, como clips de papel, monedas, llaves, clavos, tornillos u otros objetos metálicos pequeños que pudieran puentear sus contactos.** El cortocircuito de los contactos del acumulador puede causar quemaduras o un incendio.
- ▶ **La utilización inadecuada del acumulador puede provocar fugas de líquido. Evite el contacto con él. En caso de un contacto accidental, enjuagar el área afectada con abundante agua. En caso de un contacto con los ojos, recurra además inmediatamente a ayuda médica.** El líquido del acumulador puede irritar la piel o producir quemaduras.
- ▶ **No emplee acumuladores o útiles dañados o modificados.** Los acumuladores dañados o modificados pueden comportarse en forma imprevisible y producir un fuego, explosión o peligro de lesión.
- ▶ **No exponga un paquete de baterías o una herramienta eléctrica al fuego o a una temperatura demasiado alta.**

La exposición al fuego o a temperaturas sobre 130 °C puede causar una explosión.

- ▶ **Siga todas las instrucciones para la carga y no cargue nunca el acumulador o la herramienta eléctrica a una temperatura fuera del margen correspondiente especificado en las instrucciones.** Una carga inadecuada o a temperaturas fuera del margen especificado puede dañar el acumulador y aumentar el riesgo de incendio.

Servicio

- ▶ **Únicamente deje reparar su herramienta eléctrica por un experto cualificado, empleando exclusivamente piezas de repuesto originales.** Solamente así se mantiene la seguridad de la herramienta eléctrica.
- ▶ **No repare los acumuladores dañados.** El mantenimiento de los acumuladores sólo debe ser realizado por el fabricante o un servicio técnico autorizado.

Indicaciones de seguridad para martillos

Instrucciones de seguridad para todas las operaciones

- ▶ **Use protectores auriculares.** La exposición al ruido puede causar una pérdida auditiva.
- ▶ **Utilice el(los) mango(s) auxiliar(es), si se suministra(n) con la herramienta.** La pérdida del control puede causar lesiones personales.
- ▶ **Sujete la herramienta eléctrica por las superficies de agarre aisladas al realizar trabajos en los que el accesorio de corte pueda llegar a tocar conductores eléctricos ocultos.** En el caso del contacto del accesorio de corte con conductores "bajo tensión", las partes metálicas expuestas de la herramienta eléctrica pueden quedar "bajo tensión" y dar al operador una descarga eléctrica.

Instrucciones de seguridad en el caso de utilizar bits largos con martillos rotativos

- ▶ **Siempre comience a taladrar a baja velocidad y con la punta del bit en contacto con la pieza de trabajo.** A velocidades más altas, el bit se puede doblar si se le permite rotar sin tocar la pieza de trabajo, originando lesiones personales.
- ▶ **Aplique la presión sólo en línea directa con el bit y no aplique una presión excesiva.** Los bits pueden doblarse y causar roturas o pérdida de control, originando lesiones personales.

Indicaciones de seguridad adicionales

- ▶ **Utilice unos aparatos de exploración adecuados para detectar conductores o tuberías ocultas, o consulte a sus compañías abastecedoras.** El contacto con conductores eléctricos puede provocar un incendio o una electrocución. Al dañar una tubería de gas puede producirse una explosión. La perforación de una tubería de agua puede causar daños materiales.
- ▶ **Espere a que se haya detenido la herramienta eléctrica antes de depositarla.** El útil puede engancharse y hacerle perder el control sobre la herramienta eléctrica.
- ▶ **Asegure la pieza de trabajo.** Una pieza de trabajo fijada con unos dispositivos de sujeción, o en un tornillo de ban-

co, se mantiene sujeta de forma mucho más segura que con la mano.

- ▶ **En caso de daño y uso inapropiado del acumulador pueden emanar vapores. El acumulador se puede quemar o explotar.** En tal caso, busque un entorno con aire fresco y acuda a un médico si nota molestias. Los vapores pueden llegar a irritar las vías respiratorias.
- ▶ **No intente abrir el acumulador.** Podría provocar un cortocircuito.
- ▶ **Mediante objetos puntiagudos, como p. ej. clavos o destornilladores, o por influjo de fuerza exterior se puede dañar el acumulador.** Se puede generar un cortocircuito interno y el acumulador puede arder, humear, explotar o sobrecalentarse.
- ▶ **Utilice el acumulador únicamente en productos del fabricante.** Solamente así queda protegido el acumulador contra una sobrecarga peligrosa.



Proteja la batería del calor excesivo, además de, p. ej., una exposición prolongada al sol, la suciedad, el fuego, el agua o la humedad. Existe riesgo de explosión y cortocircuito.



- ▶ **No toque los útiles de inserción ni las partes adyacentes de la carcasa poco después de la utilización.** Pueden calentarse mucho durante el funcionamiento y causar quemaduras.
- ▶ **El útil de inserción puede atascarse durante el taladrado. Cuide una posición segura y sostenga firmemente la herramienta eléctrica con ambas manos.** De lo contrario podría perder el control sobre la herramienta eléctrica.
- ▶ **Tenga cuidado al realizar trabajos de demolición con un cincel.** La caída de fragmentos del material de demolición puede herir a las personas que se encuentren en el lugar o a usted mismo.
- ▶ **Durante el trabajo, sostenga firmemente la herramienta eléctrica con ambas manos y cuide una posición segura.** Utilizando ambas manos la herramienta eléctrica es guiada de forma más segura.
- ▶ **¡Cuidado! El uso de la herramienta eléctrica con Bluetooth® puede provocar anomalías en otros aparatos y equipos, en aviones y en aparatos médicos (p. ej. marcapasos, audífonos, etc.). Tampoco puede descartarse por completo el riesgo de daños en personas y animales que se encuentren en un perímetro cercano. No utilice la herramienta eléctrica con Bluetooth® cerca de aparatos médicos, gasolineras, instalaciones químicas, zonas con riesgo de explosión ni en zonas con atmósfera potencialmente explosiva. No utilice tampoco la herramienta eléctrica con Bluetooth® a bordo de aviones. Evite el uso prolongado de este aparato en contacto directo con el cuerpo.**

La marca de palabra Bluetooth® como también los símbolos (logotipos) son marcas registradas y propiedad de Bluetooth SIG, Inc. Cada utilización de esta marca de palabra/símbolo por Robert Bosch Power Tools GmbH tiene lugar bajo licencia.

Símbolos

Los símbolos mostrados a continuación pueden ser de importancia en el uso de la herramienta eléctrica. Es importante que retenga en su memoria estos símbolos y su significado. La interpretación correcta de estos símbolos le ayudará a manejar mejor, y de forma más segura, la herramienta eléctrica.

Simbología y su significado



Para cambiar el útil de inserción, tire del casquillo de enclavamiento hacia atrás.



Descripción del producto y servicio



Lea íntegramente estas indicaciones de seguridad e instrucciones. Las faltas de observación de las indicaciones de seguridad y de las instrucciones pueden causar descargas eléctricas, incendios y/o lesiones graves.

Por favor, observe las ilustraciones en la parte inicial de las instrucciones de servicio.

Utilización reglamentaria

La herramienta eléctrica se ha diseñado para taladrar con percusión en hormigón, mampostería y piedra, así como para trabajos de cincelado.

Los datos y las configuraciones de la herramienta eléctrica se pueden transmitir con el módulo *Bluetooth*[®] Low Energy Module **GCY 42** colocado, mediante la tecnología de radio-comunicación *Bluetooth*[®], entre la herramienta eléctrica y un aparato móvil final.

Componentes principales

La numeración de los componentes representados se refiere a la imagen de la herramienta eléctrica en la página ilustrada.

Datos técnicos

Martillo perforador accionado por acumulador		GBH 18V-40 C	GBH 18V-40 C
Número de artículo		3 611 J17 0..	3 611 J17 1..
Tensión nominal	V=	18	18
Número de impactos ^{A)}	min ⁻¹	0-3130	0-3130
Energía por percusión según EPTA-Procedure 05:2016	J	9,0	9,0
Número de revoluciones nominal	min ⁻¹	0-360	0-360
Portaherramientas		SDS-max	SDS-max
Módulo <i>Bluetooth</i> [®] Low Energy Modul GCY 42		● ^{B)}	... ^{C)}
Diámetro máx. de taladro en:			
- Hormigón	mm	40	40
- Hormigón (con broca hueca)	mm	90	90
Peso según EPTA-Procedure 01:2014 ^{D)}	kg	7,4-8,4	7,4-8,4

- (1) Portabrocas SDS-max
- (2) Portaútiles SDS-max
- (3) Caperuza guardapolvo
- (4) Casquillo de enclavamiento
- (5) Mando desactivador de giro
- (6) Amortiguador de vibraciones
- (7) Tecla de enclavamiento del interruptor de conexión/desconexión
- (8) Empuñadura (zona de agarre aislada)
- (9) Interruptor de conexión/desconexión
- (10) Acumulador^{a)}
- (11) Luz de trabajo
- (12) Empuñadura adicional (zona de agarre aislada)
- (13) Tecla de desenclavamiento del acumulador^{a)}
- (14) Interfaz de usuario
- (15) Cubierta del módulo *Bluetooth*[®] Low Energy Module GCY 42
- (16) Indicador del estado de carga del acumulador (interfaz de usuario)
- (17) Indicador de desconexión rápida (interfaz de usuario)
- (18) Indicador de modo de trabajo (interfaz de usuario)
- (19) Tecla para la selección del modo de trabajo (interfaz de usuario)
- (20) Indicador del estado de la herramienta eléctrica (interfaz de usuario)
- (21) Símbolo de teléfono inteligente (interfaz de usuario)
- (22) Indicador de temperatura (interfaz de usuario)

a) Los accesorios descritos e ilustrados no corresponden al material que se adjunta de serie. La gama completa de accesorios opcionales se detalla en nuestro programa de accesorios.

Martillo perforador accionado por acumulador		GBH 18V-40 C	GBH 18V-40 C
Longitud	mm	502	502
Altura	mm	253	253
Temperatura ambiente recomendada durante la carga	°C	0 ... +35	0 ... +35
Temperatura ambiente permitida durante el funcionamiento ^{F)} y en el almacenamiento	°C	-20 ... +50	-20 ... +50
Acumuladores compatibles		GBA 18V... ProCORE18V...	GBA 18V... ProCORE18V...
Acumuladores recomendados para plena potencia		ProCORE18V... ≥ 5,5 Ah	ProCORE18V... ≥ 5,5 Ah
Cargadores recomendados		GAL 18... GAX 18... GAL 36...	GAL 18... GAX 18... GAL 36...

Transmisión de datos

Bluetooth®		Bluetooth® 4.2 (Low Energy) ^{F)}	Bluetooth® 4.2 (Low Energy) ^{F)}
Distancia de señal	s	8	8
Máximo alcance de señal ^{G)}	m	30	30

A) Medido a 20–25 °C con acumulador **GBA 18V 8.0Ah**.

B) premontado

C) reequipable

D) depende de la batería utilizada

E) Potencia limitada a temperaturas < 0 °C y > 40 °C

F) Los dispositivos móviles deben ser compatibles con aparatos Bluetooth®-Low-Energy (versión 4.2) y asistir el Generic Access Profile (GAP).

G) El alcance puede variar fuertemente según las condiciones exteriores, inclusive el receptor utilizado. En el interior de espacios cerrados y por barreras metálicas (p. ej. paredes, estanterías, maletas, etc.), el alcance del Bluetooth® puede ser menor.

Información sobre ruidos y vibraciones

Valores de emisión de ruidos determinados según **EN IEC 62841-2-6**.

El nivel de ruidos valorado con A de la herramienta eléctrica asciende típicamente a: nivel de presión acústica **93 dB(A)**; nivel de potencia acústica **104 dB(A)**. Inseguridad K = **4 dB**.

¡Llevar orejeras!

Valores totales de vibraciones a_h (suma de vectores de tres direcciones) e inseguridad K determinados según **EN IEC 62841-2-6**:

Taladrado de percusión en hormigón: $a_h = 7,5 \text{ m/s}^2$,
K = **1,5 m/s²**,

Cinzelado: $a_h = 7,0 \text{ m/s}^2$, K = **1,5 m/s²**,

El nivel de vibraciones y el valor de emisiones de ruidos indicados en estas instrucciones han sido determinados según un procedimiento de medición normalizado y pueden servir como base de comparación con otras herramientas eléctricas. También son adecuados para estimar provisionalmente la emisión de vibraciones y ruidos.

El nivel de vibraciones y el valor de emisiones de ruidos indicados han sido determinados para las aplicaciones principales de la herramienta eléctrica. Por ello, el nivel de vibraciones y el valor de emisiones de ruidos pueden ser diferentes si la herramienta eléctrica se utiliza para otras aplicaciones, con útiles diferentes, o si el mantenimiento de la misma fuese deficiente. Ello puede suponer un aumento drástico de la

emisión de vibraciones y de ruidos durante el tiempo total de trabajo.

Para determinar con exactitud las emisiones de vibraciones y de ruidos, es necesario considerar también aquellos tiempos en los que el aparato esté desconectado, o bien, esté en funcionamiento, pero sin ser utilizado realmente. Ello puede suponer una disminución drástica de las emisiones de vibraciones y de ruidos durante el tiempo total de trabajo.

Fije unas medidas de seguridad adicionales para proteger al usuario de los efectos por vibraciones, como por ejemplo: Mantenimiento de la herramienta eléctrica y de los útiles, conservar calientes las manos, organización de las secuencias de trabajo.

Acumulador

Bosch también vende herramientas eléctricas accionadas por acumulador sin acumulador. En el embalaje puede ver si un acumulador está incluido en el volumen de suministro de su herramienta eléctrica.

Carga del acumulador

- **Utilice únicamente los cargadores que se enumeran en los datos técnicos.** Solamente estos cargadores han sido especialmente adaptados a los acumuladores de iones de litio empleados en su herramienta eléctrica.

Indicación: Los acumuladores de iones de litio se entregan parcialmente cargados debido a la normativa de transporte internacional. Con el fin de obtener la plena potencia del acumulador, cargue completamente el acumulador antes de su primer uso.

Montaje del acumulador

Desplace el acumulador cargado en el alojamiento del acumulador, hasta que encaeste perceptible.



Desmontaje del acumulador

Para la extracción del acumulador, presione la tecla de desenclavamiento y retire el acumulador. **No proceda con brusquedad.**

El acumulador dispone de 2 etapas de enclavamiento para evitar que se salga en el caso de un accionamiento accidental de la tecla de desenclavamiento del acumulador. Mientras la batería esté montada en la herramienta eléctrica, permanecerá retenida en su posición mediante un resorte.

Indicador del estado de carga del acumulador

Los LEDs verdes del indicador del estado de carga del acumulador indican el estado de carga del acumulador. Por motivos de seguridad, la consulta del estado de carga es solo posible con la herramienta eléctrica parada.

Presione la tecla del indicador de estado de carga  o , para indicar el estado de carga. Esto también es posible con el acumulador desmontado.

Si tras presionar la tecla del indicador de estado de carga no se enciende ningún LED, significa que el acumulador está defectuoso y debe sustituirse.

El estado de carga del acumulador también se indica en la interfaz de usuario Indicadores de estado.

Tipo de acumulador GBA 18V...



Diodo luminoso (LED)	Capacidad
Luz permanente 3 × verde	60–100 %
Luz permanente 2 × verde	30–60 %
Luz permanente 1 × verde	5–30 %
Luz intermitente 1 × verde	0–5 %

Tipo de acumulador ProCORE18V...



Diodo luminoso (LED)	Capacidad
Luz permanente 5 × verde	80–100 %
Luz permanente 4 × verde	60–80 %
Luz permanente 3 × verde	40–60 %
Luz permanente 2 × verde	20–40 %
Luz permanente 1 × verde	5–20 %
Luz intermitente 1 × verde	0–5 %

Indicaciones para el trato óptimo del acumulador

Proteja el acumulador de la humedad y del agua.

Únicamente almacene el acumulador en el margen de temperatura desde –20 °C hasta 50 °C. P.ej., no deje el acumulador en el coche en verano.

Limpie de vez en cuando las rejillas de refrigeración del acumulador con un pincel suave, limpio y seco.

Si después de una recarga, el tiempo de funcionamiento del acumulador fuese muy reducido, ello es señal de que éste está agotado y deberá sustituirse.

Observe las indicaciones referentes a la eliminación.

Montaje

- ▶ **Desmonte el acumulador antes de manipular la herramienta eléctrica (p. ej. en el mantenimiento, cambio de útil, etc.) así como al transportarla y guardarla.** En caso contrario podría accidentarse al accionar fortuitamente el interruptor de conexión/desconexión.
- ▶ **Antes de realizar cualquier trabajo en la herramienta eléctrica (p. ej. mantenimiento, cambio de útil, etc.), así como al transportarlo y guardarlo, presione la tecla de enclavamiento para bloquear el interruptor de conexión/desconexión.** En caso contrario podría accidentarse al accionar fortuitamente el interruptor de conexión/desconexión.

Colocar el módulo Bluetooth® Low Energy Module GCY 42 (accesorio)

Lea las correspondientes instrucciones de servicio respecto a las informaciones del módulo Bluetooth® Low Energy Module GCY 42.

Empuñadura adicional

- ▶ **Utilice su herramienta eléctrica sólo con la empuñadura adicional (12).**
- ▶ **Preste atención a que la empuñadura adicional esté siempre bien apretada.** De lo contrario, podría perder el control sobre la herramienta eléctrica durante el trabajo.

Girar la empuñadura adicional (ver figura B)

La empuñadura adicional (12) la puede girar a voluntad, para lograr una postura de trabajo segura y libre de fatiga.

- Gire la parte inferior de la empuñadura adicional (12) en sentido antihorario y gire la empuñadura adicional (12) a la posición deseada. Luego, vuelva a apretar de nuevo la empuñadura adicional (12) en sentido horario.

Observe que la abrazadera de la empuñadura adicional quede alojada en la ranura de la carcasa prevista para tal fin.

Selección del portabrocas y de los útiles

Para taladrar con percusión y para cincelar se precisan útiles SDS-max, que se montan en el portabrocas SDS-max.

Cambio de útil

La caperuza guardapolvo (3) evita en gran medida la penetración de polvo de perforación en el portaútiles durante el funcionamiento. Al insertar el útil, asegúrese de que la caperuza guardapolvo (3) no esté dañada.

- Una caperuza guardapolvo dañada debe ser reemplazada inmediatamente. Se recomienda que este trabajo sea realizado por un servicio técnico.

Cambio de útil (SDS-max)

Colocar el útil (ver figura C)

El portaútiles SDS-max le permite cambiar el útil de forma sencilla y cómoda sin precisar para ello una herramienta.

- Limpie primero y aplique a continuación una capa ligera de grasa al extremo de inserción del útil.
- Deslice el casquillo de enclavamiento (4) hacia detrás e inserte girando el útil en el portaherramientas. Suelte de nuevo el casquillo de enclavamiento (4), para fijar el útil.
- Tire del útil para asegurarse de que ha quedado correctamente sujeto.

Retirar el útil (ver figura D)

- Deslice el casquillo de enclavamiento (4) hacia detrás y saque el útil.

Aspiración de polvo y virutas

El polvo de ciertos materiales como, pinturas que contengan plomo, ciertos tipos de madera y algunos minerales y metales, puede ser nocivo para la salud. El contacto y la inspiración de estos polvos pueden provocar en el usuario o en las personas circundantes reacciones alérgicas y/o enfermedades respiratorias.

Ciertos polvos como los de roble, encina y haya son considerados como cancerígenos, especialmente en combinación con los aditivos para el tratamiento de la madera (cromatos, conservantes de la madera). Los materiales que contengan amianto solamente deberán ser procesados por especialistas.

- Observe que esté bien ventilado el puesto de trabajo.
- Se recomienda una mascarilla protectora con un filtro de la clase P2.

Observe las prescripciones vigentes en su país sobre los materiales a trabajar.

- Evite acumulaciones de polvo en el puesto de trabajo. Los materiales en polvo se pueden inflamar fácilmente.

Funcionamiento

Puesta en marcha

- Preste atención, a que la cubierta (15) del módulo Bluetooth® Low Energy Module GCY 42 esté cerrada durante el servicio. Así evita la entrada de polvo.

Ajuste del modo de operación (ver figura E)

Con el mando desactivador de giro (5) puede seleccionar el modo de operación de la herramienta eléctrica.

- Para cambiar el modo de operación, gire el mando desactivador de giro (5) a la posición deseada.

Indicación: ¡Modifique el modo de operación solamente con la herramienta desconectada! En caso contrario podría dañarse la herramienta eléctrica.

Indicación: Si cambia a otro modo de operación mientras el interruptor de conexión/desconexión está bloqueado, la herramienta eléctrica se desconecta.



posición para **Taladrado con percusión**

Si el útil de inserción no gira inmediatamente, deje funcionar la herramienta eléctrica lentamente, hasta que el útil de inserción también gire.



Posición **Vario-Lock** para ajustar la posición del cincel



Posición para **Cincelado**



Conexión/desconexión

- En caso dado, suelte la tecla de enclavamiento (7) del interruptor de conexión/desconexión.
- Para **conectar** la herramienta eléctrica, presione el interruptor de conexión/desconexión (9).

La luz de trabajo (11) se enciende con el interruptor de conexión/desconexión (9) leve o totalmente oprimido y posibilita la iluminación de la zona de trabajo con condiciones de luz desfavorables.

- Para **desconectar** la herramienta eléctrica, suelte el interruptor de conexión/desconexión (9).

A bajas temperaturas la herramienta eléctrica deberá funcionar primero durante cierto tiempo hasta que alcance su pleno rendimiento de percusión/impacto.

Ajuste de las revoluciones/frecuencia de percusión

Puede regular en forma continua el número de revoluciones/la frecuencia de percusión de la herramienta eléctrica conectada, según la presión ejercida sobre el interruptor de conexión/desconexión (9).

Una ligera presión en el interruptor de conexión/desconexión (9) causa bajo número de revoluciones/frecuencia de percusión. Aumentando paulatinamente la presión se van aumentando en igual medida el número de revoluciones/la frecuencia de percusión.

También puede regular el número de revoluciones en la interfaz de usuario o utilizando la aplicación del teléfono inteligente.

Modificación de la posición para cincelar (Vario-Lock)

Puede bloquear el cincel en **16** posiciones. Ello le permite adoptar en cada caso una posición de trabajo óptima.

- Monte el cincel en el portaútiles.
- Gire el mando desactivador de giro **(5)** a la posición "Vario-Lock".
- Gire el portaútiles hasta conseguir la posición del cincel deseada.
- Gire el mando desactivador de giro **(5)** a la posición "Cincelar". El portaherramientas queda bloqueado.

Cincelar con función de enclavamiento

Para cincelar durante un tiempo prolongado sin presionar constantemente el interruptor de conexión/desconexión

Indicadores de estado

Indicador de estado de herramienta eléctrica (20)	Significado/causa	Solución
Verde	Estado OK	-
Amarillo	Se ha alcanzado la temperatura crítica o el acumulador está casi vacío	La herramienta eléctrica se debe dejar funcionar al vacío y dejar enfriar o sustituir respectivamente cargar pronto el acumulador
Rojo	La herramienta eléctrica está sobrecalentada o el acumulador está vacío	Dejar enfriar la herramienta eléctrica o sustituir respectivamente cargar el acumulador
Rojo	Accionar la tecla de enclavamiento en el modo de operación "Taladrado con percusión"	Apretar de nuevo la tecla de enclavamiento
	Accionar el mando desactivador de giro durante el servicio	Desconectar y conectar de nuevo la herramienta eléctrica
	El motor está bloqueado, el acumulador está muy débil	Cargar el acumulador o utilizar el tipo de acumulador recomendado
	Errores generales	- Desconectar y conectar de nuevo la herramienta eléctrica o retirar y colocar de nuevo el acumulador Si persiste la avería: - Enviar la herramienta eléctrica al servicio de atención al cliente
Rojo parpadeante - en combinación con la indicación desconexión rápida (17)	La desconexión rápida se ha activado	Desconectar y conectar de nuevo la herramienta eléctrica
Azul parpadeante	La herramienta eléctrica establece la conexión - con el aparato final móvil o se transfieren las configuraciones	-

Indicador del estado de carga del acumulador (interfaz de usuario) (16)	Significado/causa	Solución
verde (2 hasta 5 barras)	Acumulador cargado	-
amarillo (1 barra)	Acumulador casi vacío	Acumulador, sustituir o cargar pronto
rojo (1 barra)	Acumulador vacío	Acumulador, sustituir o cargar

(9), bloquee el interruptor de conexión/desconexión en el modo de operación "Cincelado".

- Para **bloquear** el interruptor de conexión/desconexión **(9)**, presiónelo hasta el tope y oprima simultáneamente la tecla de enclavamiento **(7)**.
- Para la desconexión, presione de nuevo la tecla de enclavamiento **(7)**.

Interfaz del usuario (ver figura F)

La interfaz de usuario **(14)** sirve para la selección del modo de trabajo así como para la indicación del estado de la herramienta eléctrica.

Símbolo de teléfono inteligente (21)	Significado/causa
--------------------------------------	-------------------

-	Gracias a la tecnología de radiocomunicación <i>Bluetooth</i> [®] , se puede disponer de más información en un terminal móvil conectado.
---	---

Indicador de temperatura (22)	Significado/causa	Solución
-------------------------------	-------------------	----------

Amarillo	La temperatura de servicio del acumulador o de la herramienta eléctrica ha aumentado significativamente, el rendimiento se reduce	La herramienta eléctrica se debe dejar enfriar o sustituir el acumulador sobrecalentado
----------	---	---

Rojo	La temperatura de servicio del acumulador o de la herramienta eléctrica se ha sobrepasado, la herramienta eléctrica se desconecta para su protección	La herramienta eléctrica se debe dejar enfriar o sustituir el acumulador sobrecalentado
------	--	---

Seleccionar el modo de trabajo

Presione varias veces la tecla **(19)** para seleccionar el modo de trabajo, hasta que se ilumine el modo de trabajo deseado.

Indicación: En el modo de trabajo **Auto** y **Soft**, las funciones están preconfiguradas. En el modo de trabajo **Favorite**, las funciones preconfiguradas pueden configurarse a través de la aplicación del teléfono inteligente.

Indicador de modo de trabajo (18)	Funciones
-----------------------------------	-----------

Auto iluminado

Modo de trabajo **Auto: aumento rápido y controlado** hasta la máxima potencia

- Modo de operación "Taladrado con percusión" (arranque suave Electronic Precision Control): aumento rápido y controlado hasta la máxima potencia
- Desconexión rápida (Kickback Control) activa
- Modo de operación "Cincelado" (arranque suave Electronic Precision Control): aumento rápido y controlado hasta la máxima potencia

Favorite iluminado

Modo de trabajo **Favorite: configuración individual a través de la aplicación del teléfono inteligente** (sólo **3 611 J17 0..** en combinación con el módulo *Bluetooth*[®] Low Energy Module **GCY 42**)

Los siguientes ajustes están **preconfigurados**:

- Modo de operación "Taladrado con percusión" (arranque suave Electronic Precision Control): aumento rápido y controlado hasta una reducida potencia media
- Desconexión rápida (Kickback Control) activa
- Modo de operación "Cincelado" (arranque suave Adaptive Speed Control): aumento lo más rápido posible hasta la máxima potencia

Soft iluminado

Modo de trabajo **Soft: potencia reducida para mecanizar materiales delicados**

- Modo de operación "Taladrado con percusión" (arranque suave Electronic Precision Control): aumento lento y muy controlado hasta una reducida baja potencia
- Desconexión rápida (Kickback Control) activa
- Modo de operación "Cincelado" (arranque suave Adaptive Speed Control): aumento lento y muy controlado hasta una reducida potencia

Funciones de conectividad

En combinación con el módulo *Bluetooth*[®] Low Energy Module **GCY 42** están a disposición las siguientes funciones de conectividad para la herramienta eléctrica:

- Registro y personalización
- Comprobación de estado, emisión de mensaje de advertencia
- Informaciones generales y configuraciones
- Administración

Lea las correspondientes instrucciones de servicio respecto a las informaciones del módulo *Bluetooth*[®] Low Energy Module **GCY 42**.

Instrucciones de trabajo

- **La herramienta eléctrica con el módulo *Bluetooth*[®] Low Energy Module GCY 42 montado está equipado con una radiointerfaz. Observar las limitaciones locales de servicio, p. ej. en aviones o hospitales.**

- ▶ **En las zonas, en las cuales no está permitido utilizar la tecnología de radiocomunicación Bluetooth®, se deben extraer el módulo Bluetooth® Low Energy Module GCY 42 y la pila en forma de botón.**

Indicación: La cubierta (15) sólo puede cerrarse de forma segura, si el módulo Bluetooth® Low Energy Module GCY 42 y la pila en forma de botón se encuentran en la herramienta eléctrica.

- Para **desactivar** el módulo Bluetooth® Low Energy Module GCY 42, de vuelta la pila en forma de botón o coloque un aislamiento entre la pila en forma de botón y el módulo Bluetooth® Low Energy Module GCY 42.
- Cierre la cubierta (15), para que no penetre suciedad.

Embrague limitador de par

- ▶ **En caso de engancharse o bloquearse el útil se desacopla el husillo de la unidad de accionamiento. Debido a las fuerzas generadas en ello, siempre sostenga firmemente la herramienta eléctrica con ambas manos y tome una posición firme.**
- ▶ **Desconecte la herramienta eléctrica y suelte el útil, si se bloquea la herramienta eléctrica. Si la herramienta eléctrica se conecta estando bloqueado el útil de taladrar se producen unos pares de reacción muy elevados.**

Desconexión rápida (Kickback Control)



La desconexión rápida (KickBack Control) ofrece un mejor control sobre la herramienta eléctrica y aumenta así la protección del usuario, en comparación a las herramientas eléctricas sin KickBack Control. Si la herramienta eléctrica gira de forma repentina e imprevisible alrededor del eje de la broca, la herramienta se desconecta, el indicador de parada rápida (17) se ilumina en color rojo y la luz de trabajo (11) parpadea. Con la desconexión rápida activada, el indicador de estado (20) parpadea en color rojo.

- Para la **nueva puesta en servicio** suelte el interruptor de conexión/desconexión (9) y acciónelo de nuevo.

Electronic Precision Control (EPC)

El EPC le ayuda en el inicio del taladrado y en trabajos con percusión en materiales delicados aumentando lentamente la velocidad de trabajo para un trabajo preciso.

Control electrónico del número de revoluciones (Adaptive Speed Control) en el modo de operación "Cincelado"



Para un mejor control y una aplicación precisa, la herramienta eléctrica arranca a bajo número de revoluciones y luego lo aumenta hasta alcanzar el número de revoluciones ajustado.

El control electrónico del número de revoluciones se activa automáticamente al aplicar la herramienta eléctrica.

Amortiguador de vibraciones



La amortiguación de vibraciones integrada reduce las vibraciones que se producen.

- ▶ **No siga utilizando la herramienta eléctrica si estuviese dañado el elemento amortiguador.**

Mantenimiento y servicio

Mantenimiento y limpieza

- ▶ **Desmantele el acumulador antes de manipular la herramienta eléctrica (p. ej. en el mantenimiento, cambio de útil, etc.) así como al transportarla y guardarla.** En caso contrario podría accidentarse al accionar fortuitamente el interruptor de conexión/desconexión.
- ▶ **Mantenga limpia la herramienta eléctrica y las rejillas de refrigeración para trabajar con eficacia y seguridad.**
- ▶ **Una caperuza guardapolvo dañada debe ser reemplazada inmediatamente. Se recomienda que este trabajo sea realizado por un servicio técnico.**
 - Limpie el portaútiles (2) tras cada uso.

Servicio técnico y atención al cliente

El servicio técnico le asesorará en las consultas que pueda Ud. tener sobre la reparación y mantenimiento de su producto, así como sobre piezas de recambio. Las representaciones gráficas tridimensionales e informaciones de repuestos se encuentran también bajo: www.bosch-pt.com

El equipo asesor de aplicaciones de Bosch le ayuda gustosamente en caso de preguntas sobre nuestros productos y sus accesorios.

Para cualquier consulta o pedido de piezas de repuesto es imprescindible indicar el nº de artículo de 10 dígitos que figura en la placa de características del producto.

México

Robert Bosch S. de R.L. de C.V.
Calle Robert Bosch No. 405
C.P. 50071 Zona Industrial, Toluca - Estado de México
Tel.: (52) 55 528430-62
Tel.: 800 6271286
www.boschherramientas.com.mx

Direcciones de servicio adicionales se encuentran bajo:

www.bosch-pt.com/serviceaddresses

Transporte

Los acumuladores de iones de litio recomendados están sujetos a los requerimientos de la ley de mercancías peligrosas. Los acumuladores pueden ser transportados por carretera por el usuario sin más imposiciones.

En el envío por terceros (p.ej., transporte aéreo o por agencia de transportes) deberán considerarse las exigencias especiales en cuanto a su embalaje e identificación. En este caso deberá recurrirse a los servicios de un experto en mercancías peligrosas al preparar la pieza para su envío.

Únicamente envíe acumuladores si su carcasa no está dañada. Si los contactos no van protegidos cúbralos con cinta adhesiva y embale el acumulador de manera que éste no se pueda mover dentro del embalaje. Observe también las prescripciones adicionales que pudieran existir al respecto en su país.

Eliminación



Las herramientas eléctricas, acumuladores, accesorios y embalajes deberán someterse a un proceso de recuperación que respete el medio ambiente.



¡No arroje las herramientas eléctricas, acumuladores o pilas a la basura!

Acumuladores/pilas:

Iones de Litio:

Por favor, observe las indicaciones en el apartado Transporte (ver "Transporte", Página 42).



El símbolo es solamente válido, si también se encuentra sobre la placa de características del producto/fabricado.

Informaciones adicionales para México

La operación de este equipo está sujeta a las siguientes dos condiciones

1. Es posible que este equipo o dispositivo no cause interferencia perjudicial.
2. Este equipo o dispositivo debe aceptar cualquier interferencia. Incluyendo la que pueda causar su operación no deseada.

Português do Brasil

Indicações de segurança

Instruções gerais de segurança para ferramentas elétricas

AVISO

Leia todas as indicações de segurança, instruções, ilustrações e especificações fornecidas com esta ferramenta elétrica. O desrespeito das instruções apresentadas abaixo poderá resultar em choque elétrico, incêndio e/ou ferimentos graves.

Guarde todas as advertências e instruções para futura referência.

O termo "ferramenta elétrica" em todos os avisos listados abaixo referem-se a ferramenta alimentada através de seu cordão de alimentação ou a ferramenta operada a bateria (sem cordão).

Segurança da área de trabalho

- ▶ **Mantenha a área de trabalho limpa e bem iluminada.** As áreas de trabalho desarrumadas ou escuras podem levar a acidentes.
- ▶ **Não opere as ferramentas elétricas em atmosferas explosivas, ou seja, na presença de líquidos, gases ou pós inflamáveis.** As ferramentas criam faíscas que podem inflamar a poeira ou os vapores.
- ▶ **Mantenha as crianças e outras pessoas afastadas da ferramenta elétrica durante o uso.** As distrações podem resultar na perda do controle.

Segurança elétrica

- ▶ **Os plugues da ferramenta devem ser compatíveis com as tomadas. Nunca modifique o plugue. Não use plugues de adaptador com ferramentas aterradas.** Os plugues sem modificações aliados a utilização de tomadas compatíveis reduzem o risco de choque elétrico.
- ▶ **Evite o contato do corpo com superfícies aterradas, como tubos, aquecedores, fogões e geladeiras.** Há um risco elevado de choque elétrico se seu corpo estiver aterrado.
- ▶ **Mantenha as ferramentas elétricas afastadas da chuva ou umidade.** A entrada de água em uma ferramenta elétrica aumenta o risco de choque elétrico.
- ▶ **Não use o cabo para outras finalidades. Jamais use o cabo para transportar, puxar ou desconectar a ferramenta elétrica. Mantenha o cabo afastado do calor, do óleo, de arestas afiadas ou de partes móveis.** Os cabos danificados ou emaranhados aumentam o risco de um choque elétrico.
- ▶ **Ao operar uma ferramenta elétrica ao ar livre, use um cabo de extensão adequado para áreas exteriores.** O uso de um cabo de extensão apropriado para áreas exteriores reduz o risco de choque elétrico.
- ▶ **Se não for possível evitar o funcionamento da ferramenta elétrica em áreas úmidas, utilizar uma alimentação protegida por um dispositivo de corrente diferencial residual (DR).** O uso de um DR reduz o risco de um choque elétrico.

Segurança pessoal

- ▶ **Fique atento, olhe o que está fazendo e use o bom senso ao operar uma ferramenta. Não use uma ferramenta elétrica quando estiver cansado ou sob a influência de drogas, álcool ou medicamentos.** Um momento de desatenção enquanto opera uma ferramenta pode resultar em graves ferimento pessoal.
- ▶ **Use equipamento de proteção individual. Use sempre óculos de proteção.** O uso de equipamento de proteção individual, como máscara de proteção contra poeira, sapatos de segurança antiderrapantes, capacete de

segurança ou proteção auricular, usado nas condições adequadas irá reduzir o risco de ferimentos pessoais.

- ▶ **Evite a partida não intencional. Assegure-se de que o interruptor está na posição de desligado antes de conectar o plugue na tomada e/ou bateria, pegar ou carregar a ferramenta.** Carregar as ferramentas com o seu dedo no interruptor ou conectar as ferramentas que apresentam interruptor na posição "ligado", são convites a acidentes.
- ▶ **Remova qualquer ferramenta ou chave de ajuste antes de ligar a ferramenta elétrica.** Uma ferramenta ou chave ainda ligada a uma parte rotativa da ferramenta elétrica pode resultar em ferimentos pessoais.
- ▶ **Evite uma posição anormal. Mantenha uma posição firme e mantenha sempre o equilíbrio.** Desta forma é mais fácil controlar a ferramenta elétrica em situações inesperadas.
- ▶ **Use vestuário apropriado. Não use roupa larga nem joias. Mantenha seus cabelos e roupas afastados de partes móveis.** As roupas largas, joias ou cabelos longos podem ser agarrados por partes móveis.
- ▶ **Se for possível montar dispositivos de aspiração ou de coleta, assegure-se de que são conectados e usados corretamente.** O uso de um dispositivo de coleta de poeira pode reduzir os riscos associados a poeiras.
- ▶ **Não deixe que a familiaridade resultante do uso frequente de ferramentas permita que você se torne complacente e ignore os princípios de segurança da ferramenta.** Uma ação descuidada pode causar ferimentos graves numa fração de segundo.

Uso e manuseio cuidadoso da ferramenta elétrica

- ▶ **Não sobrecarregue a ferramenta elétrica. Use a ferramenta elétrica correta para a sua aplicação.** É melhor e mais seguro trabalhar com a ferramenta elétrica apropriada na área de potência para a qual foi projetada.
- ▶ **Não use a ferramenta elétrica se o interruptor estiver defeituoso.** Qualquer ferramenta elétrica que não pode mais ser controlada com o interruptor é perigosa e deve ser reparada.
- ▶ **Desconecte o plugue da alimentação e/ou remova a bateria, se removível, da ferramenta elétrica antes de efetuar ajustes, trocar acessórios ou guardar as ferramentas elétricas.** Tais medidas de segurança preventivas reduzem o risco de se ligar a ferramenta acidentalmente.
- ▶ **Guarde as ferramentas elétricas não utilizadas fora do alcance das crianças e não permita que as pessoas que não estejam familiarizadas com a ferramenta elétrica ou com essas instruções usem a ferramenta elétrica.** As ferramentas elétricas são perigosas nas mãos de usuários não treinados.
- ▶ **Trate as ferramentas elétricas e acessórios com cuidado. Cheque o desalinhamento ou coesão das partes móveis, rachaduras e qualquer outra condição que possa afetar a operação da ferramenta. Se houver danos, repare a ferramenta elétrica antes do uso.**

Muitos acidentes são causados por ferramentas elétricas com manutenção inadequada.

- ▶ **Mantenha as ferramentas de corte afiadas e limpas.** As ferramentas de corte cuidadosamente mantidas e com arestas de corte afiadas emperram com menos frequência e são mais fáceis de controlar.
- ▶ **Use a ferramenta elétrica, acessórios, bits etc. de acordo com essas instruções, considerando as condições de trabalho e o trabalho a executar.** O uso da ferramenta elétrica em tarefas diferentes das previstas poderá resultar em uma situação perigosa.
- ▶ **Mantenha as empunhadeiras e as superfícies de agarrar secas, limpas e livres de óleo e graxa.** As empunhadeiras e superfícies de agarrar escorregadias não permitem o manuseio e controle seguros da ferramenta em situações inesperadas.

Manuseio e uso cuidadoso da ferramenta com bateria

- ▶ **Recarregar somente com o carregador especificado pelo fabricante.** Um carregador que é adequado para um tipo de bateria pode gerar risco de fogo quando utilizado com outro tipo de bateria.
- ▶ **Use as ferramentas somente com as baterias especificamente designadas.** O uso de outro tipo de bateria pode gerar risco de ferimento e fogo.
- ▶ **Quando a bateria não estiver em uso, mantenha-o afastado de objetos metálicos como clips, moedas, chaves, pregos, parafusos ou outros objetos metálicos pequenos que podem fazer a ligação de um terminal com o outro.** O curto-circuito dos terminais da bateria pode gerar queimaduras ou fogo.
- ▶ **Sob condições abusivas, líquidos podem vaziar ser expelidos pela bateria; evite o contato. Se o contato acidental ocorrer, lave com água. Se o líquido entrar em contato com os olhos, consulte um médico.** Líquido expelido pela bateria podem causar irritação ou queimaduras.
- ▶ **Não use uma bateria ou uma ferramenta danificada ou modificada.** As baterias danificadas ou modificadas exibem um comportamento imprevisível podendo causar incêndio, explosão ou risco de ferimentos.
- ▶ **Não exponha a bateria ou a ferramenta ao fogo ou temperaturas excessivas.** A exposição ao fogo ou a temperaturas acima de 130°C pode causar explosão.
- ▶ **Siga todas as instruções de carregamento e não carregue a bateria ou a ferramenta fora da faixa de temperatura especificada nas instruções.** O carregamento inadequado ou a temperaturas fora da faixa especificada pode danificar a bateria e aumentar o risco de incêndio.

Serviço

- ▶ **Somente permita que a sua ferramenta elétrica seja reparada por pessoal qualificado e usando peças de reposição originais.** Só dessa forma é assegurada a segurança da ferramenta elétrica.

- ▶ **Jamais tente reparar baterias danificadas.** O reparo de baterias deve ser somente realizado pelo fabricante ou por prestadores de serviços autorizados.

Instruções de segurança para martelos

Instruções de segurança para todas as operações

- ▶ **Use protetores auriculares.** A exposição ao ruído pode causar perda de audição.
- ▶ **Use a(s) empunhadeiras(s) auxiliar(es), se fornecida(s) com a ferramenta.** A perda de controle pode causar danos pessoais.
- ▶ **Segure a ferramenta elétrica pelas superfícies isoladas de manuseio, ao realizar uma operação na qual o acessório de corte possa entrar em contato com a fiação não aparente.** O contato do acessório de corte a um fio "vivo" pode tornar "vivas" as partes metálicas expostas da ferramenta e pode resultar ao operador um choque elétrico.

Instruções de segurança no uso de brocas longas com martelos perfuradores

- ▶ **Comece sempre a perfurar em baixa velocidade e com a ponta da broca em contato com a peça de trabalho.** Em velocidades elevadas, há a possibilidade da broca entortar se girar livremente sem entrar em contato com a peça de trabalho, resultando em lesão pessoal grave.
- ▶ **Aplique pressão somente em linha direta com a broca e não aplique pressão excessiva.** A broca pode entortar causando a ruptura ou a perda de controle, resultando em lesão pessoal.

Indicações adicionais de segurança

- ▶ **Utilizar detectores apropriados, para encontrar cabos escondidos, ou consultar a companhia elétrica local.** O contato com cabos elétricos pode provocar fogo e choques elétricos. Danos em tubos de gás podem levar a explosões. A penetração em um cano de água causa danos materiais.
- ▶ **Esperar a ferramenta elétrica parar completamente, antes de depositá-la.** O acessório acoplável pode emperrear e levar à perda de controle sobre a ferramenta elétrica.
- ▶ **Fixar a peça a ser trabalhada.** Uma peça a ser trabalhada fixa com dispositivos de aperto ou com um torno de bancada está mais firme do que segurada com a mão.
- ▶ **Em caso de danos e de utilização incorreta da bateria, podem escapar vapores. A bateria pode incendiar-se ou explodir.** Arejar bem o local de trabalho e consultar um médico se forem constatados quaisquer sintomas. Os vapores podem irritar as vias respiratórias.
- ▶ **Não abra a bateria.** Existe perigo de curto-circuito.
- ▶ **A bateria pode ser danificada com objetos pontiagudos como p. ex. prego ou chave de parafusos ou devido à influência de força externa.** Pode ocorrer um curto-circuito interno e a bateria pode arder, deitar fumo, explodir ou sobreaquecer.

- ▶ **Usar a bateria apenas em produtos do fabricante.** Só assim é que a bateria fica protegida contra sobrecarga perigosa.



Proteja a bateria do calor, p. ex. radiação solar permanente, fogo, sujeira, água e umidade. Há risco de explosão ou de um curto-circuito.



- ▶ **Logo a seguir à operação não toque em acessórios ou em peças da carcaça adjacentes.** Estes podem ficar muito quentes durante a operação e causar queimaduras.
- ▶ **O acessório pode bloquear durante a furação. Durante o trabalho, providencie uma estabilidade segura e segure o aparelho com as duas mãos.** Caso contrário, você pode perder o controle da ferramenta elétrica.
- ▶ **Tenha cuidado nos trabalhos de demolição com o cinzel.** Fragmentos do material de demolição podem ferir pessoas a seu lado ou você mesmo.
- ▶ **Durante o trabalho, segure a ferramenta elétrica com as duas mãos e providencie uma estabilidade segura.** A ferramenta elétrica se deixa conduzir de forma segura com as duas mãos.
- ▶ **Cuidado! Durante a utilização da ferramenta elétrica com Bluetooth® podem ocorrer falhas noutros aparelhos e instalações, aviões e aparelho médicos (p. ex. marca-passos, aparelhos auditivos.) Também não é possível excluir lesões em pessoas e animais nas imediações. Não utilize a ferramenta elétrica com Bluetooth® nas proximidades de aparelhos médicos, estações de serviço, instalações químicas, áreas com perigo de explosão e em áreas de detonação. Não utilize a ferramenta elétrica com Bluetooth® em aviões. Evite o funcionamento durante um longo período de tempo junto ao corpo.**

A marca nominativa Bluetooth® bem como os símbolos gráficos (logótipos) são marcas registradas e propriedade da Bluetooth SIG, Inc. Qualquer utilização desta marca nominativa/símbolos gráficos pela Robert Bosch Power Tools GmbH é feita ao abrigo de licença.

Símbolos

Os seguintes símbolos podem ser importantes para a utilização da sua ferramenta elétrica. Memorize os símbolos e o respetivo significado. A interpretação correta dos símbolos permite uma utilização melhor e mais segura da ferramenta elétrica.

Símbolos e seus respetivos significados



Para trocar a ferramenta de trabalho puxar o casquilho de travamento para trás.



Descrição do produto e especificações



Ler todas as indicações de segurança e instruções. O desrespeito das advertências e das instruções de segurança apresentadas abaixo pode causar choque elétrico, incêndio e/ou graves lesões.

Respeite as ilustrações na parte da frente do manual de instruções.

Utilização adequada

A ferramenta elétrica se destina a furar com impacto em concreto, alvenaria e pedra, assim como trabalhos de cinzelagem.

Os dados e ajustes da ferramenta elétrica podem ser transferidos entre a ferramenta elétrica e um aparelho terminal móvel com o *Bluetooth*[®] Low Energy Module **GCY 42** inserido através de tecnologia de radiotransmissão *Bluetooth*[®].

Componentes ilustrados

A numeração dos componentes ilustrados se refere à representação da ferramenta elétrica na página de esquemas.

- (1) Mandril SDS max
- (2) Encabadouro SDS max
- (3) Tampa contra o pó
- (4) Casquilho de travamento

- (5) Interruptor de bloqueio de rotação
- (6) Amortecedor de vibrações
- (7) Botão de segurança do interruptor de ligar/desligar
- (8) Punho (superfície do punho isolada)
- (9) Interruptor de ligar/desligar
- (10) Bateria^{a)}
- (11) Luz de trabalho
- (12) Punho adicional (superfície do punho isolada)
- (13) Botão de destravamento da bateria^{a)}
- (14) Interface de usuário
- (15) Cobertura do *Bluetooth*[®] Low Energy Module GCY 42
- (16) Indicador do nível de carga da bateria (interface de usuário)
- (17) Indicação do desligamento rápido (interface de usuário)
- (18) Indicação dos modos de trabalho (interface de usuário)
- (19) Botão para seleção do modo de trabalho (interface de usuário)
- (20) Indicação de estado da ferramenta elétrica (interface de usuário)
- (21) Símbolo de smartphone (interface de usuário)
- (22) Indicação de temperatura (interface de usuário)

a) **Acessórios apresentados ou descritos não pertencem ao volume de fornecimento. Todos os acessórios se encontram em nosso catálogo de acessórios.**

Dados técnicos

Martelo perfurador sem fio (Cordless)		GBH 18V-40 C	GBH 18V-40 C
Número de produto		3 611 J17 0..	3 611 J17 1..
Tensão nominal	V=	18	18
Nº de impactos ^{A)}	ipm	0–3130	0–3130
Intensidade de impacto individual de acordo com EPTA-Procedure 05:2016	J	9,0	9,0
Rotações nominais	rpm	0–360	0–360
Porta-ferramentas		SDS max	SDS max
<i>Bluetooth</i> [®] Low Energy Module GCY 42		● ^{B)}	– ^{C)}
Diâmetro máx. de perfuração:			
– Concreto	mm	40	40
– Concreto (com broca de coroa oca)	mm	90	90
Peso conforme EPTA-Procedure 01:2014 ^{D)}	kg	7,4–8,4	7,4–8,4
Comprimento	mm	502	502
Altura	mm	253	253
Temperatura ambiente recomendada ao carregar	°C	0 ... +35	0 ... +35
Temperatura ambiente admissível durante o funcionamento ^{E)} e durante o armazenamento	°C	–20 ... +50	–20 ... +50

Martelo perfurador sem fio (Cordless)		GBH 18V-40 C	GBH 18V-40 C
Baterias compatíveis		GBA 18V... ProCORE18V...	GBA 18V... ProCORE18V...
Baterias recomendadas para desempenho total		ProCORE18V... ≥ 5,5 Ah	ProCORE18V... ≥ 5,5 Ah
Carregadores recomendados		GAL 18... GAX 18... GAL 36...	GAL 18... GAX 18... GAL 36...
Transferência de dados			
Bluetooth®		Bluetooth® 4.2 (Low Energy) ^{F)}	Bluetooth® 4.2 (Low Energy) ^{F)}
Distância do sinal	s	8	8
Alcance máximo do sinal ^{G)}	m	30	30

A) Medido a 20–25 °C com bateria **GBA 18V 8.0Ah**.

B) pré-montado

C) reequipável

D) depende da bateria utilizada

E) Potência limitada a temperaturas < 0 °C e > 40 °C

F) Os aparelhos terminais móveis devem ser compatíveis com aparelhos Bluetooth®-Low-Energy (versão 4.2) e suportar o Generic Access Profile (GAP).

G) O alcance pode variar muito em função das condições exteriores, incluindo o aparelho de recepção utilizado. No interior de recintos fechados e devido a barreiras metálicas (p. ex. paredes, estantes, malas, etc.) o alcance do sinal Bluetooth® pode ser nitidamente mais baixo.

Informação sobre ruídos/vibrações

Os valores de emissão de ruído foram determinados de acordo com **EN IEC 62841-2-6**.

O nível sonoro avaliado A da ferramenta elétrica é normalmente: nível de pressão sonora **93 dB(A)**; nível de potência sonora **104 dB(A)**. Incerteza K = **4 dB**.

Use proteção auditiva!

Valores totais de vibração a_h (soma vetorial nas três direções) e incerteza K determinada em função da **EN IEC 62841-2-6**:

Furar com martelo em concreto: $a_h = 7,5 \text{ m/s}^2$, K = **1,5 m/s²**,
Cinzelar: $a_h = 7,0 \text{ m/s}^2$, K = **1,5 m/s²**,

Os níveis de vibrações indicados nestas instruções e o valor de emissão de ruído foram medidos de acordo com um método de medição padronizado e podem ser usados para comparar ferramentas elétricas entre si. Também são adequados para uma avaliação preliminar das emissões de vibrações e ruído.

Os níveis de vibrações indicados e o valor de emissão de ruído representam as principais aplicações da ferramenta elétrica. No entanto, se a ferramenta elétrica for usada para outras aplicações, com diferentes acessórios acopláveis ou com manutenção insuficiente, os níveis de vibrações e o valor de emissão de ruído podem ser diferentes. Isso pode aumentar significativamente as emissões de vibrações e ruído durante todo o período de trabalho.

Para uma estimativa precisa das emissões de vibrações e ruído, também devem ser considerados os momentos em que a ferramenta está desligada ou em funcionamento, mas não está realmente em uso. Isso pode reduzir significativamente as emissões de vibrações e ruído durante todo o período de trabalho.

Além disso também deverão ser estipuladas medidas de segurança para proteger o operador contra o efeito de vibrações, como por exemplo: a manutenção das ferramentas elétricas e dos acessórios acopláveis, luvas durante o trabalho e a organização dos processos de trabalho.

Bateria

A **Bosch** vende ferramentas elétricas sem fio também sem bateria. Pode consultar na embalagem se está incluída uma bateria no material a fornecer da sua ferramenta elétrica.

Carregar a bateria

► **Utilize somente os carregadores indicados nos dados técnicos.** Somente estes carregadores são adequados para a bateria de íons de lítio utilizada na sua ferramenta elétrica.

Nota: as baterias de lítio são fornecidas parcialmente carregadas devido aos regulamentos internacionais relativos ao transporte. Para assegurar a capacidade máxima da bateria, carregue completamente a bateria antes da primeira utilização.

Colocar a bateria

Empurre a bateria para o respectivo alojamento até que a bateria esteja engatada.

Remover a bateria



Para retirar a bateria, pressione o botão de destravamento e retire a bateria para fora. **Ao fazê-lo, não aplique força.**

A bateria dispõe de 2 níveis de bloqueio para evitar que a bateria caia se for pressionado acidentalmente o botão de

destravamento da bateria. Enquanto a bateria estiver na ferramenta elétrica, ele será mantido em posição por meio de uma mola.

Indicador do nível de carga da bateria

Os LEDs verdes do indicador do nível de carga da bateria mostram o nível de carga da bateria. Por motivos de segurança, a consulta do nível de carga só é possível com a ferramenta elétrica parada.

Pressione a tecla para o indicador do nível de carga  ou  para exibir o nível de carga. Isto também é possível com a bateria removida.

Se depois de pressionar a tecla para o indicador do nível de carga não acender nenhum LED, a bateria tem defeito ou tem de ser substituída.

O nível de carga da bateria também é exibido na interface de usuário Indicadores de estado.

Tipo de bateria GBA 18V...



LED	Capacidade
Luz permanente 3 × verde	60–100 %
Luz permanente 2 × verde	30–60 %
Luz permanente 1 × verde	5–30 %
Luz intermitente 1 × verde	0–5 %

Tipo de bateria ProCORE18V...



LED	Capacidade
Luz permanente 5 × verde	80–100 %
Luz permanente 4 × verde	60–80 %
Luz permanente 3 × verde	40–60 %
Luz permanente 2 × verde	20–40 %
Luz permanente 1 × verde	5–20 %
Luz intermitente 1 × verde	0–5 %

Indicações para o manuseio ideal da bateria

Proteja a bateria de umidade e água.

Armazene a bateria apenas numa faixa de temperatura de –20 °C até 50 °C. Não deixe a bateria p. ex. dentro de um veículo no verão.

Limpe ocasionalmente as aberturas de ventilação da bateria com um pincel macio, limpo e seco.

Uma autonomia consideravelmente inferior após um carregamento, indica que a bateria está gasta e tem de ser substituída.

Observar a indicação sobre a eliminação de forma ecológica.

Montagem

- ▶ **Retire a bateria da ferramenta elétrica antes de qualquer trabalho na ferramenta elétrica (p. ex. manutenção, troca de acessório, etc.), assim como para transporte e armazenamento da mesma.** Em caso de acionamento inadvertido do interruptor de ligar/desligar existe perigo de ferimentos.
- ▶ **Antes de qualquer trabalho na ferramenta elétrica (p. ex. manutenção, troca de acessório, etc.), assim como para transporte e armazenamento, pressione o botão de segurança para bloquear o interruptor de ligar/desligar.** Em caso de acionamento inadvertido do interruptor de ligar/desligar existe perigo de ferimentos.

Inserir o *Bluetooth*® Low Energy Module GCY 42 (acessório)

Para informações sobre *Bluetooth*® Low Energy Module GCY 42, leia o guia de usuário associado.

Punho adicional

- ▶ **Use sua ferramenta elétrica apenas com o punho adicional (12).**
- ▶ **Certifique-se de que o punho adicional está sempre bem apertado.** Caso contrário, você pode perder o controle da ferramenta elétrica durante o trabalho.

Rodar o punho adicional (ver figura B)

É possível rodar o punho adicional (12) em posições diferentes se desejar, para obter uma posição de trabalho segura sem fazer esforço.

- Rode a parte de pegar do punho adicional (12) contra o sentido dos ponteiros do relógio e oscile o punho adicional (12) para a posição desejada. A seguir rode a parte de pegar do punho adicional (12) para a direita para voltar a apertar. Se certifique de que a cinta de aperto do punho adicional se encontra na ranhura prevista na carcaça.

Selecionar o mandril e ferramentas

Para furar com martelo e cinzelar necessita de ferramentas SDS-max, que são colocados no mandril SDS-max.

Troca de ferramenta

A tampa contra o pó (3) evita a penetração de pó de furação no mandril durante o funcionamento. Ao inserir a ferramenta, se certifique de que a tampa contra o pó (3) não fica danificada.

- ▶ **Uma tampa contra o pó danificada deve ser imediatamente substituída. Essa substituição deve ser feita pelo Serviço de Assistência Técnica.**

Troca de ferramenta (SDS-max)

Inserir a ferramenta de trabalho (ver figura C)

Com o encaixe SDS-max pode substituir de forma fácil e confortável a ferramenta de trabalho sem necessidade chave.

- Limpe a haste de encaixe da ferramenta de trabalho e lubrifique ligeiramente.
- Empurre o casquilho de travamento (4) para trás e introduza a ferramenta de trabalho no encaixe girando-o. Volte a soltar o casquilho de travamento (4) para engatar a ferramenta de trabalho.
- Puxe a ferramenta para verificar o travamento.

Retirar a ferramenta de trabalho (ver figura D)

- Deslize o anel de travamento (4) para trás e retire a ferramenta de trabalho.

Aspiração de pó/de aparas

Pós de materiais, como por exemplo, tintas que contêm chumbo, alguns tipos de madeira, minerais e metais, podem ser nocivos à saúde. O contato com os pós ou a inalação dos mesmos pode provocar reações alérgicas e/ou doenças nas vias respiratórias do utilizador ou das pessoas que se encontrem por perto.

Certos pós, como por exemplo pó de carvalho e faia são considerados como sendo cancerígenos, especialmente quando juntos com substâncias para o tratamento de madeiras (cromato, preservadores de madeira). Material que contem amianto só deve ser processado por pessoal especializado.

- Assegurar uma boa ventilação do local de trabalho.
- É recomendável usar uma máscara de proteção respiratória com filtro da classe P2.

Observe as diretrizes, vigentes no seu país, relativas aos materiais a serem trabalhados.

- ▶ **Evitar acúmulos de pó no local de trabalho.** Pós podem se inflamar levemente.

Funcionamento

Colocando em funcionamento

- ▶ Se certifique de que a cobertura (15) do Bluetooth® Low Energy Module GCY 42 está fechada durante o funcionamento. Dessa forma se evita a entrada de pó.

Ajustar o modo de operação (ver figura E)

Com o interruptor do bloqueio de rotação (5) selecione o modo de operação da ferramenta elétrica.

- Para mudar o modo de operação, gire o interruptor do bloqueio de rotação (5) para a posição desejada.

Nota: Altere o modo de operação apenas com a ferramenta elétrica desligada! Caso contrário, a ferramenta elétrica pode ser danificada.

Nota: Se alterar o modo de operação enquanto o interruptor de ligar/desligar está travado, a ferramenta elétrica se desliga.



Posição para furar com martelo

Se a ferramenta de trabalho não girar de imediato, deixe a ferramenta elétrica funcionar lentamente, até que a ferramenta de trabalho gire juntamente.



Posição **Vario-Lock** para ajustar a posição de cinzelamento



Posição para **cinzelar**



Ligar e desligar

- Se necessário, solte o botão de segurança (7) para o interruptor de ligar/desligar.
- Para **ligar** a ferramenta elétrica, pressione o interruptor de ligar/desligar (9).

A luz de trabalho (11) se acende com o interruptor de ligar/desligar (9) ligeira ou totalmente pressionado e permite iluminar o local de trabalho com condições de luminosidade desfavoráveis.

- Para **desligar** a ferramenta elétrica, solte o interruptor de ligar/desligar (9).

No caso de temperaturas baixas, a ferramenta elétrica atinge apenas após um determinado tempo a capacidade de martelar/impacto máxima.

Ajustar número de rotações/impactos

É possível regular o número de rotações/impactos da ferramenta elétrica ligada, dependendo do quanto o interruptor de ligar/desligar (9) é pressionado.

Uma leve pressão no interruptor de ligar/desligar (9) origina um número de rotações/impactos baixo. Aumentando a pressão aumenta o número de rotações/impactos.

Também é possível ajustar o número de rotações na interface de usuário ou através do aplicativo para smartphone.

Alteração do ajuste do cinzel (Vario-Lock)

Pode fixar o cinzel em 16 várias posições. Desta forma você consegue sempre a posição de trabalho ideal.

- Coloque o cinzel no mandril.
- Gire o interruptor do bloqueio de rotação (5) para a posição "Vario-Lock".
- Gire a ferramenta de trabalho para a posição de cinzelagem desejada.
- Gire o interruptor do bloqueio de rotação (5) para a posição "Cinzelar". Desta forma, o mandril está bloqueado.

Cinzelar com função de travamento

Para cinzelar por mais tempo sem pressionar permanentemente o interruptor de ligar/desligar (9) fixe o interruptor de ligar/desligar no modo de operação "Cinzelar".

- Para **fixar** pressione o interruptor de ligar/desligar **(9)** pressione o interruptor de ligar/desligar até o batente e pressione simultaneamente o botão de segurança **(7)**.
- Para desligar, pressione novamente o botão de segurança **(7)**.

Interface de usuário (ver figura F)

A interface de usuário **(14)** é utilizada para a seleção do modo de trabalho bem como para a indicação do estado da ferramenta elétrica.

Indicadores de estado

Indicação de estado da ferramenta elétrica (20)	Significado/causa	Solução
Verde	Estado OK	–
Amarelo	Temperatura crítica atingida ou bateria quase vazia	Deixar a ferramenta elétrica funcionar em vazio e esfriar, ou trocar ou carregar bateria em breve
Vermelho	A ferramenta elétrica está superaquecida ou a bateria está vazia	Deixar a ferramenta elétrica esfriar, ou troque ou carregue a bateria
Vermelho	Botão de segurança no modo de operação "Furar com martelo" acionado	Pressionar novamente o botão de segurança
	Interruptor do bloqueio de rotação acionado durante o funcionamento	Desligar e ligar a ferramenta elétrica
	O motor está bloqueado, a bateria está fraca	Carregar a bateria ou utilizar o tipo de bateria recomendado
Vermelho	Erro geral	– Desligar e voltar a ligar a ferramenta elétrica ou retirar a bateria e voltar a colocá-la Se o erro persistir: – Enviar a ferramenta elétrica para o Serviço de Assistência Técnica
	Vermelho intermitente – em combinação com indicação do desligamento rápido (17)	O desligamento rápido se ativou
Azul intermitente	A ferramenta elétrica estabelece ligação com o aparelho terminal móvel ou as definições são transferidas	–

Indicador do nível de carga da bateria (interface de usuário) (16)	Significado/causa	Solução
verde (2 a 5 barras)	Bateria carregada	–
amarelo (1 barra)	Bateria quase vazia	Substituir ou carregar a bateria em breve
vermelho (1 barra)	Bateria vazia	Substituir ou carregar a bateria

Símbolo de smartphone (21) Significado/causa

- Através da tecnologia de radiotransmissão *Bluetooth*[®], no caso de existir um aparelho terminal móvel ligado, podem estar disponíveis outras informações no mesmo.

Indicação de temperatura (22)	Significado/causa	Solução
Amarelo	A temperatura de serviço da bateria ou da ferramenta elétrica aumenta significativamente, o desempenho é reduzido	Deixar a ferramenta elétrica esfriar ou substituir a bateria sobreaquecida

Indicação de temperatura (22)	Significado/causa	Solução
Vermelho	A temperatura de serviço da bateria ou da ferramenta elétrica foi ultrapassada. Como medida de segurança, a ferramenta elétrica é desligada	Deixar a ferramenta elétrica esfriar ou substituir a bateria sobreaquecida

Selecionar o modo de trabalho

Pressione a tecla **(19)** para escolher o modo de trabalho o número de vezes necessárias até acender o modo de trabalho desejado.

Nota: Nos modos de trabalho **Auto** e **Soft** as funções estão predefinidas. No modo de trabalho **Favorite** as funções predefinidas podem ser configuradas através do aplicativo para smartphone.

Indicação do modo de trabalho (18)	Funções
Auto <small>aceso</small>	<p>Modo de trabalho Auto: mais rápido, arranque controlado até à potência máxima</p> <ul style="list-style-type: none"> – Modo de operação "Furar com martelo" (arranque suave Electronic Precision Control): mais rápido, arranque controlado até à potência máxima – Desligamento rápido (KickBack Control) ativo – Modo de operação "Cinzelar" (arranque suave Adaptive Speed Control): mais rápido, arranque controlado até à potência máxima
Favorite <small>aceso</small>	<p>Modo de trabalho Favorite: configuração individual através do aplicativo para smartphone (apenas 3 611 J17 0.. juntamente com o <i>Bluetooth</i>[®] Low Energy Module GCY 42)</p> <p>As seguintes definições estão pré-configuradas:</p> <ul style="list-style-type: none"> – Modo de operação "Furar com martelo" (arranque suave Electronic Precision Control): arranque controlado até uma potência reduzida, média – Desligamento rápido (KickBack Control) ativo – Modo de operação "Cinzelar" (arranque suave Adaptive Speed Control): arranque o mais rápido possível até à potência máxima
Soft <small>aceso</small>	<p>Modo de trabalho Soft: potência reduzida para o processamento de materiais sensíveis</p> <ul style="list-style-type: none"> – Modo de operação "Furar com martelo" (arranque suave Electronic Precision Control): arranque mais lento, fortemente controlado até uma potência reduzida, baixa – Desligamento rápido (KickBack Control) ativo – Modo de operação "Cinzelar" (arranque suave Adaptive Speed Control): arranque mais lento, fortemente controlado até uma potência reduzida

Funções Connectivity

Juntamente com o *Bluetooth*[®] Low Energy Module **GCY 42** são disponibilizadas as seguintes funções Connectivity para a ferramenta elétrica:

- Registro e personalização
- Verificação do estado, emissão de mensagens de aviso
- Informações gerais e ajustes
- Gestão

Para informações sobre *Bluetooth*[®] Low Energy Module **GCY 42**, leia o guia de usuário associado.

Indicações de trabalho

- ▶ **A ferramenta elétrica com *Bluetooth*[®] Low Energy Module GCY 42 inserido, está equipada com uma interface de comunicação. Devem ser observadas as restrições de operação locais, p. ex. em aviões ou hospitais.**

- ▶ **Nas áreas onde a tecnologia de radiotransmissão *Bluetooth*[®] não pode ser usada, têm de ser retirados o *Bluetooth*[®] Low Energy Module GCY 42 e a bateria de botão.**

Nota: A cobertura **(15)** só pode ser fechada em segurança se o *Bluetooth*[®] Low Energy Module GCY 42 e a bateria de botão se encontrarem na ferramenta elétrica.

- Para **desativar** o *Bluetooth*[®] Low Energy Module GCY 42 rode a pilha de botão ou coloque um isolamento entre a pilha de botão e o *Bluetooth*[®] Low Energy Module GCY 42.
- Feche a tampa **(15)**, para que não entre sujeira.

Embriagem de segurança contra sobrecarga

- ▶ **Se a ferramenta de trabalho ficar presa, o acionamento do veio da broca é interrompido. Segure, devido às forças que ocorrem, a ferramenta elétrica sempre bem com ambas as mãos e mantenha uma postura firme.**

- ▶ **Desligue a ferramenta elétrica e solte a ferramenta de trabalho, quando a ferramenta elétrica bloqueia. Ao ligar com a ferramenta para furar bloqueada, ocorrem torques de reação elevados.**

Desligamento rápido (Kickback Control)



O desligamento rápido (KickBack Control) oferece um melhor controle sobre a ferramenta elétrica e aumenta assim a proteção do usuário em comparação às ferramentas elétricas sem o KickBack Control. Em caso de uma rotação repentina e imprevista da ferramenta elétrica sobre o eixo de perfuração, a ferramenta elétrica se desliga, a indicação do desligamento rápido (17) se acende a vermelho e a luz de trabalho (11) pisca. Com o desligamento rápido ativo, pisca a indicação de estado (20) em vermelho.

- Para a **recolocação em funcionamento** solte o interruptor de ligar/desligar (9) e pressione-o de novo.

Electronic Precision Control (EPC)

O sistema EPC o apoia ao furar e em trabalhos com impacto em materiais sensíveis através de uma partida lenta das rotações de trabalho para um trabalho preciso.

Controle das rotações eletrônico (Adaptive Speed Control) no modo de operação "Cinzelar"



Para um melhor controle e uma aplicação precisa, a ferramenta elétrica inicia com um número de rotações reduzido e aumenta-o então até ao número de rotações definido. O controle das rotações eletrônico é ativado automaticamente com a aplicação da ferramenta elétrica.

Amortecimento das vibrações



O amortecimento das vibrações integrado reduz a ocorrência de vibrações.

- ▶ **Não continue a usar a ferramenta elétrica se o elemento amortecedor estiver danificado.**

Manutenção e serviço

Manutenção e limpeza

- ▶ **Retire a bateria da ferramenta elétrica antes de qualquer trabalho na ferramenta elétrica (p. ex. manutenção, troca de acessório, etc.), assim como para transporte e armazenamento da mesma.** Em caso de acionamento inadvertido do interruptor de ligar/desligar existe perigo de ferimentos.
- ▶ **Manter a ferramenta elétrica e as aberturas de ventilação sempre limpas, para trabalhar bem e de forma segura.**

- ▶ **Uma tampa contra o pó danificada deve ser imediatamente substituída. Essa substituição deve ser feita pelo Serviço de Assistência Técnica.**

- Limpe o suporte da ferramenta(2) após cada utilização.

Serviço pós-venda e assistência ao cliente

O serviço pós-venda responde às suas perguntas a respeito de serviços de reparação e de manutenção do seu produto, assim como das peças sobressalentes. Desenhos explodidos e informações sobre peças sobressalentes também em:

www.bosch-pt.com

A nossa equipe de consultores Bosch esclarece com prazer todas as suas dúvidas a respeito dos nossos produtos e acessórios.

Indique em todas as questões ou encomendas de peças sobressalentes impreterivelmente a referência de 10 dígitos de acordo com a placa de características do produto.

Brasil

Robert Bosch Ltda. – Divisão de Ferramentas Elétricas
Rodovia Anhanguera, Km 98 - Parque Via Norte
13065-900, CP 1195
Campinas, São Paulo
Tel.: 0800 7045 446
www.bosch.com.br/contato

Encontre outros endereços da assistência técnica em:

www.bosch-pt.com/serviceaddresses

Transporte

As baterias de lítio recomendadas estão em conformidade com os requisitos da regulamentação do transporte de mercadorias perigosas. Os acumuladores podem ser transportados pelo utilizador, nas vias públicas, sem mais nenhuma obrigação.

No caso de envio através de terceiros (p. ex.: transporte aéreo ou transitário) é necessário respeitar os requisitos especiais para a embalagem e identificação. Neste caso, para a preparação da embalagem é necessário consultar um perito no transporte de mercadorias perigosas.

Só enviar baterias se a carcaça não estiver danificada. Colar contatos abertos e embalar a bateria de modo que não possa se movimentar dentro da embalagem. Por favor observe também eventuais diretrizes nacionais suplementares.

Descarte



Ferramentas elétricas, baterias, acessórios e embalagens devem ser enviados a uma reciclagem ecológica de matérias primas.



Não descarte as ferramentas elétricas e as baterias/pilhas no lixo doméstico!

Baterias/pilhas:

Lítio:

Por favor, observe as instruções na seção de transporte (ver "Transporte", Página 52).

中文

安全规章

电动工具通用安全警告

⚠ 警告！

阅读所有警告和所有说明！不遵照以下警告和说明会导致电

击、着火和 / 或严重伤害。

保存所有警告和说明书以备查阅。

在所有下列的警告中术语“电动工具”指市电驱动（有线）电动工具或电池驱动（无线）电动工具。

工作场地的安全

- ▶ 保持工作场地清洁和明亮。混乱和黑暗的场地会引发事故。
- ▶ 不要在易爆环境，如有易燃液体、气体或粉尘的环境下操作电动工具。电动工具产生的火花会点燃粉尘或气体。
- ▶ 让儿童和旁观者离开后操作电动工具。注意力不集中会使操作者失去对工具的控制。

电气安全

- ▶ 电动工具插头必须与插座相配。绝不能以任何方式改装插头。需接地的电动工具不能使用任何转换插头。未经改装的插头和相配的插座将减少电击危险。
- ▶ 避免人体接触接地表面，如管道、散热片和冰箱。如果你身体接地会增加电击危险。
- ▶ 不得将电动工具暴露在雨中或潮湿环境中。水进入电动工具将增加电击危险。
- ▶ 不得滥用电线。绝不能用电线搬运、拉动电动工具或拔出其插头。使电线远离热源、油、锐边或运动部件。受损或缠绕的软线会增加电击危险。
- ▶ 当在户外使用电动工具时，使用适合户外使用的外接软线。适合户外使用的软线将减少电击危险。
- ▶ 如果在潮湿环境下操作电动工具是不可避免的，应使用剩余电流动作保护器（RCD）。使用RCD可减小电击危险。

人身安全

- ▶ 保持警觉，当操作电动工具时关注所从事的操作并保持清醒。当你感到疲倦，或在有药物、酒精或治疗反应时，不要操作电动工具。在操作电动工具时瞬间的疏忽会导致严重人身伤害。
- ▶ 使用个人防护装置。始终佩戴护目镜。安全装置，诸如适当条件下使用防尘面具、防滑安全鞋、安全帽、听力防护等装置能减少人身伤害。
- ▶ 防止意外起动。确保开关在连接电源和/或电池盒、拿起或搬运工具时处于关断位置。手指放在

已接通电源的开关上或开关处于接通时插入插头可能会导致危险。

- ▶ 在电动工具接通之前，拿掉所有调节钥匙或扳手。遗留在电动工具旋转零件上的扳手或钥匙会导致人身伤害。
- ▶ 手不要伸展得太长。时刻注意立足点和身体平衡。这样在意外情况下能很好地控制电动工具。
- ▶ 着装适当。不要穿宽松衣服或佩戴饰品。让衣服、手套和头发远离运动部件。宽松衣服、配饰或长发可能会卷入运动部件中。
- ▶ 如果提供了与排屑、集尘设备连接用的装置，要确保他们连接完好且使用得当。使用这些装置可减少尘屑引起的危险。
- ▶ 即使由于经常使用电动工具而对此非常熟悉，也不要就认为可以高枕无忧而忽略工具的安全规定。粗心大意的行为可能在瞬间就造成严重的伤害。

电动工具使用和注意事项

- ▶ 不要滥用电动工具，根据用途使用适当的电动工具。选用适当设计的电动工具会使你工作更有效、更安全。
- ▶ 如果开关不能接通或关断工具电源，则不能使用该电动工具。不能用开关来控制的电动工具是危险的且必须进行修理。
- ▶ 在进行任何调节、更换附件或贮存电动工具之前，必须从电源上拔掉插头和/或使电池盒与工具脱开。这种防护性措施将减少工具意外起动的危险。
- ▶ 将闲置不用的电动工具贮存在儿童所及范围之外，并且不要让不熟悉电动工具或对这些说明不了解的人操作电动工具。电动工具在未经培训的用户手中是危险的。
- ▶ 保养电动工具。检查运动件是否调整到位或卡住，检查零件破损情况和影响电动工具运行的其他状况。如有损坏，电动工具应在使用前修理好。许多事故由维护不良的电动工具引发。
- ▶ 保持切削刀具锋利和清洁。保养良好的有锋利切削刃的刀具不易卡住而且容易控制。
- ▶ 按照使用说明书，考虑作业条件和进行的作业来使用电动工具、附件和工具的刀头等。将电动工具用于那些与其用途不符的操作可能会导致危险。
- ▶ 保持手柄和握持表面干燥、清洁、无油污。在突发情况下，滑溜的手柄和握持表面无法确保安全地握持和控制工具。

电池式工具使用和注意事项

- ▶ 只用制造商规定的充电器充电。将适用于某种电池盒的充电器用到其他电池盒时会发生着火危险。
- ▶ 只有在配有专用电池盒的情况下才使用电动工具。使用其他电池盒会发生损坏和着火危险。
- ▶ 当电池盒不用时，将它远离其他金属物体，例如回形针、硬币、钥匙、钉子、螺钉或其他小金属物体，以防一端与另一端连接。电池端部短路会引起燃烧或火灾。

- ▶ 在滥用条件下，液体会从电池中溅出；避免接触。如果意外碰到了，用水冲洗。如果液体碰到了眼睛，还要寻求医疗帮助。从电池中溅出的液体会发生腐蚀或燃烧。
- ▶ 不要使用损坏的或更改过的电池组或工具。损坏或更改过的电池可能导致不可预料的情况发生，有着火、爆炸或受伤的风险。
- ▶ 不要将电池组或工具暴露于火焰或高温情况下。火焰或超过130°C的温度可能会引起爆炸。
- ▶ 遵守所有充电说明，给电池组或工具充电时不要超出说明中规定的温度范围。错误充电或温度超出规定的范围可能会损坏电池并提高着火的风险。

维修

- ▶ 将你的电动工具送交专业维修人员，使用同样的备件进行修理。这样将确保所维修的电动工具的安全性。
- ▶ 决不能维修损坏的电池包。电池包仅能由生产者或其授权的维修服务商进行维修。

电锤安全规章

- ▶ 戴好耳罩。暴露在噪声中会引起听力损伤。
- ▶ 使用随工具提供的辅助手柄。操作失手会引起人身伤害。
- ▶ 在切割附件可能触及暗线进行操作时，要通过绝缘握持面来握持工具。切割附件碰到带电导线会使工具外露金属零件带电从而使操作者受到电击。

当使用带旋转锤钻的长钻头时的安全说明

- ▶ 务必以低转速开始钻孔，并让钻头尖端与工件接触。在较高转速下，如果让钻头在不接触工件的情况下随意旋转，很可能导致其弯折，从而引发人身伤害。
- ▶ 只在钻头的直线方向上施加压力，不要施加过大的压力。钻头可能会弯曲，导致断裂或失去控制，造成人身伤害。

其他安全规章

- ▶ 使用合适的侦测装置侦察隐藏的电线，或者向当地的相关单位寻求支援。接触电线可能引起火灾并让操作者触电。损坏了瓦斯管会引起爆炸。如果水管被刺穿了会导致财物损失。
- ▶ 等待电动工具完全静止后才能够放下机器。机器上的工具可能在工作中被夹住，而令您无法控制电动工具。
- ▶ 固定好工件。使用固定装置或老虎钳固定工件，会比用手握工件更牢固。
- ▶ 如果充电电池损坏或者未按照规定使用，充电电池中会散发出有毒蒸汽。充电电池可能会燃烧或爆炸。工作场所必须保持空气流通，如果身体有任何不适必须马上就医。蒸汽会刺激呼吸道。
- ▶ 切勿打开充电电池。可能造成短路。
- ▶ 钉子、螺丝刀等尖锐物品或外力作用可能会损坏充电电池。有可能出现内部短路、蓄电池燃烧、发出烟雾、爆炸或过热。

- ▶ 只能将此充电电池用在制造商的产品中。这样才能确保充电电池不会过载。



保护充电电池免受高温（例如长期阳光照射）、火焰、脏污、水和湿气的侵害。有爆炸和短路的危险。



- ▶ 切勿直接接触运行后的工具刀头或相邻的壳体部件。它们可能在运行期间变得很热，从而导致起火燃烧。
- ▶ 工具刀头可能会在钻孔时卡住。确保站稳并使用双手握紧电动工具。否则您可能失去对电动工具的控制。
- ▶ 使用凿头进行破碎工作时请务必小心。从破碎材料上掉落的碎屑可能会伤到周围人员或您自己。
- ▶ 工作时要使用双手握紧电动工具并确保站稳。使用双手才能够稳定地操作电动工具。
- ▶ 注意！在使用有蓝牙功能的电动工具时，其他装置和设备、飞机和医疗器械（例如心脏起搏器、助听器）可能会出现故障。同样不能完全排除周围的人和动物会受到伤害。请不要在医疗设备、加油站、化工厂、有爆炸危险的地区附近和在爆破区内使用有蓝牙功能的电动工具。请勿在飞机上使用有蓝牙功能的电动工具。请避免在身体附近较长时间使用。

蓝牙®文字标记和图形符号（标志）是Bluetooth SIG公司的注册商标和财产。Robert Bosch Power Tools GmbH根据许可使用这些文字标记/图形符号。

图标

以下符号可以帮助您正确地使用本电动工具。请牢记各符号和它们的代表意思。正确了解各符号的代表意思，可以帮助您更有把握更安全地操作本电动工具。

图标及其含义



如需更换工具刀头，将锁定套筒向后拉。



产品和性能说明



请阅读所有安全规章和指示。不遵照以下警告和说明可能导致电击、着火和/或严重伤害。

请注意本使用说明书开头部分的图示。

按照规定使用

本电动工具用于在混凝土、砖墙和石材上进行锤钻以及凿打作业。

装入蓝牙® Low Energy Module **GCY 42**（低能耗模块）后，通过蓝牙® 无线技术在电动工具和移动终端设备之间传输电动工具的数据和设置。

插图上的机件

机件的编号和电动工具详解图上的编号一致。

- (1) SDS max钻夹头
- (2) SDS max工具夹头
- (3) 防尘盖
- (4) 锁定套筒
- (5) 转动停止开关
- (6) 减震装置
- (7) 起停开关的锁定按钮
- (8) 手柄（绝缘握柄）
- (9) 起停开关
- (10) 充电电池^{a)}
- (11) 工作灯

- (12) 辅助手柄（绝缘握柄）
- (13) 充电电池的解锁按钮^{a)}
- (14) 用户界面
- (15) 蓝牙[®]低能耗模块GCY 42的盖板
- (16) 充电电池电量显示（用户界面）
- (17) 快速关断功能指示灯（用户界面）
- (18) 工作模式指示灯（用户界面）
- (19) 工作模式选择键（用户界面）
- (20) 电动工具状态指示灯（用户界面）
- (21) 智能手机图标（用户界面）
- (22) 温度指示灯（用户界面）

a) 图表或说明上提到的附件，并不包含在基本的供货范围中。本公司的附件清单中有完整的附件供应项目。

技术参数

无绳电锤		GBH 18V-40 C	GBH 18V-40 C
物品代码		3 611 J17 0..	3 611 J17 1..
额定电压	伏特=	18	18
冲击次数 ^{A)}	次/分钟	0-3130	0-3130
单一冲击强度符合EPTA-Procedure 05:2016的规定	焦耳	9.0	9.0
额定转速	次/分钟	0-360	0-360
工具夹头		SDS max	SDS max
Bluetooth [®] （蓝牙）低能耗模块GCY 42		● ^{B)}	— ^{C)}
最大钻孔直径:			
- 混凝土	毫米	40	40
- 混凝土（使用空心钻头）	毫米	90	90
重量符合EPTA-Procedure 01:2014 ^{D)}	公斤	7.4-8.4	7.4-8.4
长度	毫米	502	502
高度	毫米	253	253
充电时建议的环境温度	摄氏度	0至+35	0至+35
工作时和存放时允许的环境温度 ^{E)}	摄氏度	-20至+50	-20至+50
兼容的充电电池		GBA 18V... ProCORE18V...	GBA 18V... ProCORE18V...
推荐的确保全功率的充电电池		ProCORE18V... ≥ 5.5 Ah	ProCORE18V... ≥ 5.5 Ah
推荐的充电器		GAL 18... GAX 18... GAL 36...	GAL 18... GAX 18... GAL 36...
数据传输			
蓝牙 [®]		蓝牙 4.2 (低能耗) ^{F)}	蓝牙 4.2 (低能耗) ^{F)}
信号间隔	秒	8	8

无绳电锤		GBH 18V-40 C	GBH 18V-40 C
信号最大作用距离 ^{G)}	米	30	30

A) 在20–25摄氏度的条件下带充电电池GBA 18V 8.0Ah测得

B) 已预安装

C) 可加装

D) 视所使用的充电电池而定

E) 温度<0摄氏度以及>40摄氏度时功率受限

F) 移动终端设备必须可与蓝牙®低能耗装置（版本4.2）兼容并支持通用访问配置（GAP）。

G) 根据外部条件包括所用接收设备的不同，覆盖范围会有很大差别。在封闭的室内以及由于金属障碍物（如墙壁、台架、箱子等），蓝牙®覆盖范围可能明显缩小。

充电电池

Bosch也销售不带充电电池的充电式电动工具。您可以在包装上查看电动工具的供货范围内是否包含充电电池。

为充电电池充电

► 请只使用在技术参数中列出的充电器。只有这些充电器才适用于本电动工具上的锂离子电池。

提示：鉴于国际运输规定，锂离子电池在交货时只完成部分充电。首次使用电动工具之前，必须先充足充电电池的电量以确保充电电池的功率。

安装充电电池

将充好电的充电电池推入电池座，直到嵌入。



取出充电电池

如需取下充电电池，则请按解锁按钮，然后拔出充电电池。**在此过程中请勿过度用力。**

充电电池具备双重锁定功能，即使不小心触动了充电电池的解锁按钮，充电电池也不会从机器中掉落下来。只要充电电池安装在电动工具中，就会被弹簧固定在其位置上。

充电电池电量指示灯

充电电池电量指示灯的绿色LED灯显示充电电池的电量。基于安全原因，只能在电动工具静止时检查充电电池的电量。

按压充电电量指示灯按键或，来显示充电电量。也可以在充电电池取下时操作。

如果按压充电电量指示灯按键后没有LED灯亮起，则说明充电电池损坏，必须进行更换。

用户界面上也会显示充电电池的电量状态指示灯。

充电电池型号GBA 18V...



LED	电量
3个绿灯长亮	60–100 %
2个绿灯长亮	30–60 %
1个绿灯长亮	5–30 %
1个绿灯闪烁	0–5 %

充电电池型号ProCORE18V...



LED	电量
5个绿灯长亮	80–100 %
4个绿灯长亮	60–80 %
3个绿灯长亮	40–60 %
2个绿灯长亮	20–40 %
1个绿灯长亮	5–20 %
1个绿灯闪烁	0–5 %

如何正确地使用充电电池

保护充电电池，避免湿气和水分渗入。

充电电池必须储存在–20 °C至50 °C的环境中。夏天不得将充电电池搁置在汽车中。

不时地使用柔软、清洁而且干燥的毛刷清洁充电电池的通气孔。

充电后如果充电电池的使用时间明显缩短，代表充电电池已经损坏，必须更换新的充电电池。

请注意有关作废处理的规定。

安装

► 在电动工具上进行任何维护的工作（例如维修，更换工具等等），以及搬运、保存电动工具之前都必须从机器中取出蓄电池。无意间操作开关可能会造成伤害。

► 对电动工具执行任何操作（例如保养、更换刀具等）前以及运输和存储过程中，按压锁定键以将电源开关锁定。意外操作电源开关可能会造成伤害。

装入Bluetooth®（蓝牙）低能耗模块GCY 42（附件）

有关蓝牙®Low Energy Module（低能耗模块）GCY 42的信息请见相应的使用说明。

辅助手柄

► 操作电动工具时务必使用辅助手柄（12）。

► 务必确保辅助手柄已牢牢拧紧。否则您可能在工作时失去对电动工具的控制。

摆动辅助手柄（见图片B）

可以任意翻转辅助手柄(12)，由此可在工作中采用安全且不易疲劳的姿势。

- 逆时针旋转辅助手柄(12)的下半部，并将辅助手柄(12)转到需要的位置。然后顺时针重新拧紧辅助手柄(12)的下半部。

注意，辅助手柄的固定套圈必须位于机壳上的固定套圈专属凹槽中。

选择钻夹头和刀具

在进行锤钻和凿切时，需要已插有SDS-max钻夹头的SDS-max刀具。

更换刀具

防尘盖(3)可以防止工作时钻屑进入工具夹头中。插入刀具时请注意不要损坏防尘盖(3)。

- ▶ 损坏的防尘盖必须立即更换。推荐由本公司的售后服务部门进行操作。

更换刀具（SDS-max）

插入工具刀头（参见插图C）

使用SDS-max工具夹头，能够简便地更换工具刀头，无需借助其它的工具。

- 清洁工具刀头的末端并涂抹少许油脂。
- 向后推动锁定套筒(4)并将工具刀头旋入工具夹头。再次松开锁定套筒(4)，以便锁住工具刀头。
- 抽拉工具以确定它是否正确锁紧了。

取出工具刀头（参见插图D）

- 向后推动锁定套筒(4)，取下工具刀头。

吸锯尘/吸锯屑

含铅的颜料以及某些木材、矿物和金属的加工废尘有害健康。机器操作者或者工地附近的人如果接触、吸入这些废尘，可能会有过敏反应或者感染呼吸道疾病。

某些尘埃（例如加工橡木或山毛榉的废尘）可能致癌，特别是和处理木材的添加剂（例如木材的防腐剂等）结合之后。只有经过专业训练的人才能够加工含石棉的物料。

- 工作场所要保持空气流通。
- 最好佩戴P2滤网等级的口罩。

请留心并遵守贵国和加工物料有关的法规。

- ▶ 避免让工作场所堆积过多的尘垢。尘埃容易被点燃。

操作

操作机器

- ▶ 请确保，Bluetooth®（蓝牙）低功耗模块GCY 42的盖板(15)在运行过程中处于关闭状态。从而防止灰尘进入。

调整运行模式（参见插图E）

通过转动停止开关(5)选择电动工具的工作模式。

- 如要切换运行模式，将转动停止开关(5)转到所需位置。

提示： 仅可在电动工具关闭的情况下更改运行模式！否则可能会损坏电动工具。

提示： 如果在电源开关已锁定期间切换到另一种运行模式，则电动工具会自动关闭。



锤钻位置

如果工具刀头未立即转动，则让电动工具缓慢运行，直到工具刀头一起转动。



用于调节钻头位置的Vario-Lock位置



凿切位置



接通/关闭

- 如有必要，松开电源开关的锁定键(7)。

- 如要接通电动工具，按压电源开关(9)。

轻按或是把电源开关(9)按到底时，工作灯(11)会亮起，在照明状况不佳的环境中可以借此照亮工作区域。

- 如要关闭电动工具，请松开电源开关(9)。

在低温的工作环境中，必须经过短暂的暖机，电动工具才能够发挥最大的锤击/冲击功率。

调整转速 / 冲击次数

可以无级调节已接通电动工具的转速/冲击次数，视按压电源开关(9)的力度程度决定。

以较小的力按压电源开关(9)时，转速/冲击次数较低。增强施加在起停开关上的压力，可以提高机器的转速 / 冲击次数。

您也可以在用户界面上或通过智能手机App调节转速。

改变钻头位置（Vario-Lock）

您可以将钻头锁定在16位置。如此可确保最佳的工作姿势。

- 把钻头装入工具夹头中。
- 将转动停止开关(5)转到“Vario-Lock”位置。
- 把钻头旋转到需要的工作位置上。
- 将转动停止开关(5)转到“凿头”位置。这样就能锁定工具夹头。

带锁定功能的钻头

为了较长时间凿切而不必始终按着电源开关(9)，将电源开关锁定在运行模式“凿切”中。

- 锁定时将电源开关(9)按压至极限位置，同时按压锁定键(7)。
- 关闭时再次按压锁定键(7)。

用户界面 (参见插图F)

用户界面(14)用于选择工作模式以及显示电动工具的状态。

状态指示灯

电动工具状态显示 (20)	含义/原因	解决方案
绿色	状态正常	-
黄色	已达到临界温度或充电电池的电量几乎耗尽	让电动工具空转、冷却或尽快更换充电电池或为其充电
红色	电动工具过热或充电电池电量耗尽	让电动工具冷却或更换充电电池或为其充电
红色	在“锤钻”运行模式中按下了锁定键	再次按压锁定键
	在运行过程中已操纵转动停止开关	关闭并再次接通电动工具
	发动机卡住，充电电池电量过低	给充电电池充电或使用推荐的充电电池类型
	一般故障	- 关闭电动工具并再次接通或取出充电电池并再次装入 如果故障依旧存在： - 将电动工具寄给客户服务部门
以红光闪烁 - 同时带有快速关断功能指示灯(17)	快速关断功能已触发	关闭并再次接通电动工具
闪蓝光	电动工具正在建立与移动终端设备的连接或正在传输设置	-

充电电池电量指示灯 (用户界面) (16)	含义/原因	解决方案
绿色 (2至5格)	充电电池已充电	-
黄色 (1格)	充电电池的电量几乎耗尽	尽快更换充电电池或为其充电
红色 (1格)	充电电池的电量用尽了	更换充电电池或为其充电

智能手机图标(21)	含义/原因
-	通过 蓝牙® 无线技术可以在已连接移动终端设备的情况下，在该设备上提供更多信息。

温度显示(22)	含义/原因	解决方案
黄色	充电电池或电动工具的工作温度明显提高，功率因此降低	让电动工具冷却或更换过热的充电电池
红色	超出充电电池或电动工具的工作温度，电动工具出于自我保护机制自动关闭	让电动工具冷却或更换过热的充电电池

选择工作模式

在选择工作模式时，反复按压键(19)，直到所需的工作模式亮起为止。

提示：在工作模式**Auto**和**Soft**中已预设这些功能。在工作模式**Favorite**中可以通过智能手机App对预设功能进行配置。

工作模式指示灯(18)	功能
Auto 亮起	Auto 工作模式： 加速快且受控 ，直到达到最大功率 - “锤钻”运行模式 (Electronic Precision Control缓速起动)：加速快且受控，直到达到最大功率 - 快速关断功能 (Kickback Control) 激活 - “凿切”运行模式 (Adaptive Speed Control缓速起动)：加速快且受控，直到达到最大功率

工作模式指示灯(18)**功能****Favorite** 亮起

Favorite工作模式：通过智能手机App进行个性化配置（仅3 611 J17 0.. 搭配蓝牙®低能耗模块GCY 42）

以下设置已**预配置**：

- “锤钻”运行模式（Electronic Precision Control缓速启动）：加速受控，直到达到降低的中等功率
- 快速关断功能（Kickback Control）激活
- “凿切”运行模式（Adaptive Speed Control缓速启动）：尽可能快地加速，直到达到最大功率

Soft 亮起

Soft工作模式：**降低的功率，用于加工敏感材料**

- “锤钻”运行模式（Electronic Precision Control缓速启动）：缓慢加速且高度受控，直到降低功率
- 快速关断功能（Kickback Control）激活
- “凿切”运行模式（Adaptive Speed Control缓速启动）：缓慢加速且高度受控，直到达到降低的功率

连接功能

搭配Bluetooth®（蓝牙）Low Energy Module（低能耗模块）GCY 42，为电动工具提供以下连接功能：

- 注册和个性化设置
- 状态检查，警告信息输出
- 通用信息和设置
- 管理

有关蓝牙®Low Energy Module（低能耗模块）GCY 42的信息请见相应的使用说明。

工作提示

- ▶ 装入了Bluetooth®（蓝牙）低能耗模块GCY 42的电动工具配有一个无线接口。必须注意本地运行限制，例如在飞机上或医院里。
- ▶ 在不允许使用Bluetooth®（蓝牙）无线技术的区域内，必须取出Bluetooth®低能耗模块GCY 42和纽扣电池。

提示：只有在蓝牙®Low Energy Module（低能耗模块）GCY 42和纽扣电池位于电动工具中时，才可以关闭盖板(15)。

- 要**禁用**蓝牙®Low Energy Module（低能耗模块）GCY 42，请翻转纽扣电池或在纽扣电池和蓝牙®Low Energy Module（低能耗模块）GCY 42之间放置绝缘件。
- 关闭盖板(15)，以免污物进入。

过载离合器

- ▶ 如果工具卡住了，传往主轴的动力会中断。由于会产生力，请用双手牢牢握住电动工具并站稳。
- ▶ 当电动工具卡住时，请关闭电动工具并松开工具刀头。开动机器时如果安装在机器上的钻头被卡住了，会产生很高的反作用扭力。

快速关断功能（踢回控制）

快速关断功能（Kickback Control）让用户能更好地控制电动工具，这样与不带Kickback Control的电动工具相比，能更好地保护用户。在电动工具围绕钻轴突然且不可预测地旋转时，电动工具会关闭，快速关断功能指示灯(17)亮起红色，并且工作灯(11)闪烁。在快速关断功能激活后，状态指示灯(20)呈红色闪烁。

- 如要**重新使用工具**，松开电源开关(9)，然后再次操作。


电子精密控制（EPC）

EPC通过缓慢加快转速来为精确的钻孔操作和为您锤击敏感材料提供支持。

“凿切”运行模式中的电子转速控制装置（Adaptive Speed Control）

为实现更好的控制和精确安放，电动工具以低转速启动，然后提高到所设定的转速。在安放电动工具时，电子转速控制装置会自动激活。

减震装置

 内置减震装置可减轻出现的振动。

- ▶ 如果减震装备损坏了，勿继续使用电动工具。

维修和服务**保养和清洁**

- ▶ 在电动工具上进行任何维护的工作（例如维修，更换工具等等），以及搬运、保存电动工具之前都必须从机器中取出蓄电池。无意间操作开关可能会造成伤害。
- ▶ 电动工具和通气孔必须随时保持清洁，以确保工作效率和工作安全。

► **必须立即更换损坏的防尘盖。最好委托本公司的顾客服务处换装。**

– 每次使用后请清洁工具夹头(2)。

客户服务和应用咨询

本公司顾客服务处负责回答有关本公司产品的修理、维护和备件的问题。备件的展开图纸和信息也可查看：www.bosch-pt.com
博世应用咨询团队乐于就我们的产品及其附件问题提供帮助。

询问和订购备件时，务必提供机器铭牌上标示的10位数物品代码。

中国大陆

博世电动工具（中国）有限公司

中国 浙江省 杭州市

滨江区 滨康路567号

102/1F 服务中心

邮政编码：310052

电话：(0571)8887 5566 / 5588

传真：(0571)8887 6688 x 5566# / 5588#

电邮：bsc.hz@cn.bosch.com

www.bosch-pt.com.cn

制造商地址：

Robert Bosch Power Tools GmbH

罗伯特·博世电动工具有限公司

70538 Stuttgart / GERMANY

70538 斯图加特 / 德国

其他服务地址请见：

www.bosch-pt.com/serviceaddresses

产品中有害物质的名称及含量

部件名称	有害物质					
	铅 (Pb)	汞 (Hg)	镉 (Cd)	六价铬 (Cr ⁺⁶)	多溴联苯 (PBB)	多溴二苯醚 (PBDE)
外壳的金属部分	○	○	○	○	○	○
外壳的非金属部分	○	○	○	○	○	○
机械传动机构	X	○	○	○	○	○
电机组件	X	○	○	○	○	○
控制组件	X	○	○	○	○	○
附件	○	○	○	○	○	○
配件	○	○	○	○	○	○
连接件	X	○	○	○	○	○
电源线①	○	○	○	○	○	○
电池系统②	X	○	○	○	○	○

本表格依据SJ/T11364的规定编制。

○：表示该有害物质在该部件所有均质材料中的含量均在GB/T 26572规定的限量要求以下。

X：表示该有害物质至少在该部件的某一均质材料中的含量超出GB/T 26572规定的限量要求。且目前业界没有成熟的替代方案，符合欧盟RoHS指令环保要求。

① 适用于采用电源线连接供电的产品。

搬运

所推荐的锂离子充电电池必须符合危险物品法规。使用者无须另外使用保护包装便可以运送该充电电池。

但是如果将它交由第三者运送（例如：寄空运或委托运输公司）则要用特殊的包装和标示。此时必须向危险物品专家请教有关寄送危险物品的相关事宜。

确定充电电池的外壳未受损后，才可以寄送充电电池。粘好未加盖的触点并包装好充电电池，不可以让充电电池在包装中晃动。必要时也得注意各国有关的法规。

处理废弃物



必须以符合环保的方式，回收再利用损坏的电动工具、充电电池、附件和废弃的包装材料。



不可以把电动工具和充电电池/蓄电池丢入一般的家庭垃圾中！

充电电池/电池：

锂离子：

请注意“搬运”段落中的指示（参见“搬运”，页 60）确认设置。

- ② 适用于采用充电电池供电的产品。
产品环保使用期限内的使用条件参见产品说明书。

有关中国的更多信息

CMIIT ID显示在蓝牙设备铭牌上

繁體中文

安全注意事項

電動工具一般安全注意事項

警告 請詳讀工作臺及電動工具的所有安全警告與使用說明。若不遵照以下列出的指示，將可能導致電擊、著火和/或人員重傷。

保存所有警告和說明書以備查閱。

在所有警告中，「電動工具」此一名詞泛指：以市電驅動的（有線）電動工具或是以電池驅動的（無線）電動工具。

工作場地的安全

- ▶ 保持工作場地清潔和明亮。混亂和黑暗的場地會引發事故。
- ▶ 不要在易爆環境，如有易燃液體、氣體或粉塵的環境下操作電動工具。電動工具產生的火花會點燃粉塵或氣體。
- ▶ 讓兒童和旁觀者離開後操作電動工具。注意力不集中會使您失去對工具的控制。

電氣安全

- ▶ 電動工具插頭必須與插座相配。絕不能以任何方式改裝插頭。需接地的電動工具不能使用任何轉換插頭。未經改裝的插頭和相配的插座將減少電擊危險。
- ▶ 避免人體接觸接地表面，如管道、散熱片和冰箱。如果您身體接地會增加電擊危險。
- ▶ 不得將電動工具暴露在雨中或潮濕環境中。水進入電動工具將增加電擊危險。
- ▶ 不得濫用電線。絕不能用電線搬運、拉動電動工具或拔出其插頭。使電線遠離熱源、油、銳利邊緣或移動零件。受損或纏繞的軟線會增加電擊危險。
- ▶ 當在戶外使用電動工具時，使用適合戶外使用的延長線。適合戶外使用的軟線，將減少電擊危險。
- ▶ 如果在潮濕環境下操作電動工具是不可避免的，應使用剩餘電流動作保護器（RCD）。使用RCD可降低電擊危險。

人身安全

- ▶ 保持警覺，當操作電動工具時關注所從事的操作並保持清醒。當您感到疲倦，或在有藥物、酒精

或治療反應時，不要操作電動工具。在操作電動工具時瞬間的疏忽會導致嚴重人身傷害。

- ▶ 使用個人防護裝置。始終佩戴護目鏡。安全裝置，諸如適當條件下使用防塵面具、防滑安全鞋、安全帽、聽力防護等裝置能減少人身傷害。
- ▶ 防止意外起動。確保開關在連接電源和/或電池盒、拿起或搬運工具時處於關閉位置。手指放在已接通電源的開關上或開關處於接通時插入插頭可能會導致危險。
- ▶ 在電動工具接通之前，拿掉所有調節鑰匙或扳手。遺留在電動工具旋轉零件上的扳手或鑰匙會導致人身傷害。
- ▶ 手不要伸展得太長。時刻注意立足點和身體平衡。這樣在意外情況下能很好地控制電動工具。
- ▶ 著裝適當。不要穿寬鬆衣服或佩戴飾品。讓您的衣物及頭髮遠離運動部件。寬鬆衣服、佩飾或長髮可能會捲入運動部件中。
- ▶ 如果提供了與排屑、集塵設備連接用的裝置，要確保他們連接完好且使用得當。使用這些裝置可減少塵屑引起的危險。
- ▶ 切勿因經常使用工具所累積的熟練感而過度自信，輕忽工具的安全守則。任何一個魯莽的舉動都可能瞬間造成人員重傷。

電動工具使用和注意事項

- ▶ 不要濫用電動工具，根據用途使用適當的電動工具。選用適當設計的電動工具會使您工作更有效、更安全。
- ▶ 如果開關不能開啟或關閉工具電源，則不能使用該電動工具。不能用開關來控制的電動工具是危險的且必須進行修理。
- ▶ 在進行任何調整、更換配件或貯存電動工具之前，必須從電源上拔掉插頭並/或取出電池盒。這種防護性措施將減少工具意外起動的危險。
- ▶ 將閒置不用的電動工具貯存在兒童所及範圍之外，並且不要讓不熟悉電動工具或對這些說明不瞭解的人操作電動工具。電動工具在未經培訓的用戶手中是危險的。
- ▶ 保養電動工具與配備。檢查運動件是否調整到位或卡住，檢查零件破損情況和影響電動工具運行的其他狀況。如有損壞，電動工具應在使用前修好。許多事故由維護不良的電動工具引發。
- ▶ 保持切削刀具鋒利和清潔。保養良好的有鋒利切削刀的刀具不易卡住而且容易控制。
- ▶ 按照使用說明書，考慮作業條件和進行的作業來使用電動工具、配件和工具的刀頭等。將電動工具用於那些與其用途不符的操作可能會導致危險。
- ▶ 把手及握持區應保持乾燥、潔淨，且不得沾染任何油液或油脂。易滑脫的把手及握持區將無法讓您在發生意外狀況時安全地抓緊並控制工具。

電池式工具使用和注意事項

- ▶ 只用製造商規定的充電器充電。將適用於某種電池盒的充電器用到其他電池盒時會發生著火危險。
- ▶ 只有在配有專用電池盒的情況下才使用電動工具。使用其他電池盒會發生損壞和著火危險。
- ▶ 當電池盒不用時，將它遠離其他金屬物體，例如回形針、硬幣、鑰匙、釘子、螺絲或其他小金屬物體，以防一端與另一端連接。電池端部短路會引起燃燒或火災。
- ▶ 在濫用條件下，液體會從電池中濺出；避免接觸。如果意外碰到了，用水沖洗。如果液體碰到了眼睛，還要尋求醫療幫助。從電池中濺出的液體會發生腐蝕或燃燒。
- ▶ 請勿使用已受損或經改裝的電池盒。已受損或經改裝的電池組可能出現無法預期的反應，進而導致著火、爆炸或造成人員受傷。
- ▶ 勿讓電池盒或工具靠近火源或暴露於異常溫度環境中。若是靠近火源或暴露在超過130 °C的環境中可能造成爆炸。
- ▶ 請完全遵照所有的充電說明，電池盒或工具的溫度若是超出指示的規定範圍，請勿進行充電。不當充電或是未在規定的溫度範圍內進行充電，皆可能造成電池損壞並面臨更高的著火風險。

檢修

- ▶ 將您的電動工具送交專業維修人員，必須使用同樣的備件進行更換。這樣將確保所維修的電動工具的安全性。
- ▶ 請勿自行檢修受損的電池盒。電池組應交由製造商或是獲得授權的服務供應商來進行檢修。

電錘的安全注意事項

所有作業的安全說明

- ▶ 請戴上耳罩。暴露在噪音下會造成聽力喪失。
- ▶ 請使用工具的輔助把手（若有配備）。失去控制可能會造成人員受傷。
- ▶ 進行作業時，負責進行切割的配件可能會碰觸到隱藏的配線，請從絕緣握把處拿持電動工具。負責進行切割的配件若是觸及「導電」電線，可能導致電動工具外露的金屬部件「導電」，進而使操作人員遭受電擊。

使用長鑽頭搭配鏈鑽的安全說明

- ▶ 請務必以低速啟動並將鑽尖確實抵住工件。若鑽頭未接觸工件且以超過最高轉速的速度無負載轉動，可能會讓鑽頭彎曲並導致人員受傷。
- ▶ 請順著鑽頭方向施加適當的壓力。鑽頭可能會彎曲而造成斷裂或失控，進而導致人員受傷。

其他安全注意事項

- ▶ 使用合適的偵測裝置偵察隱藏的電線，或者向當地的相關單位尋求支援。接觸電線可能引起火災並讓操作者觸電。若損壞瓦斯管會引起爆炸。如果水管被刺穿會導致財物損失。
- ▶ 必須等待電動工具完全靜止後才能將它放下。嵌件工具可能卡住而使電動工具失控。

- ▶ 固定好工件。使用固定裝置或老虎鉗固定工件，會比用手持握工件更牢固。
- ▶ 如果充電電池損壞了，或者未按照規定使用充電電池，充電電池中會散發出有毒蒸氣。充電電池可能起火或爆炸。工作場所必須保持空氣流通，如果身體有任何不適必須馬上就醫。充電電池散發的蒸氣會刺激呼吸道。
- ▶ 切勿拆開充電電池。可能造成短路。
- ▶ 尖銳物品（例如釘子或螺絲起子）或是外力皆有可能造成充電電池損壞。進而導致內部短路而發生電池起火、冒煙、爆炸或過熱等事故。
- ▶ 僅可使用產品的原廠充電電池。如此才可依照產品提供過載保護。



保護充電電池免受高溫（例如長期日照）、火焰、污垢、水液和濕氣的侵害。有爆炸及短路之虞。



- ▶ 操作後不久不要接觸任何嵌件工具或鄰近的外殼部件。這些在操作過程中會變得非常灼熱並導致燙傷。
- ▶ 鑽孔時嵌件工具可能會卡住。請確實站穩並用雙手牢牢握住電動工具。否則您可能無法再控制電動工具。
- ▶ 使用鑿子進行拆除工作時請小心。拆除材料的掉落碎片可能會傷害旁人或您自己。
- ▶ 作業期間請用雙手牢牢握緊電動工具並保持穩固。使用雙手才能夠更穩定地操作電動工具。
- ▶ 小心！使用電動工具時若開啟 Bluetooth® 功能，將可能對其他裝置或設備、飛機以及醫療器材（例如心律調節器、助聽器等）產生干擾。同樣亦無法完全排除對鄰近之人員或動物造成身體危害的可能性。請勿在醫療器材、加油站、化學設備、爆炸危險場所以及易爆環境等處附近，使用電動工具的 Bluetooth® 功能。請不要在飛機上使用電動工具的 Bluetooth® 功能。應避免直接貼靠身體部位旁的長時間持續操作。

Bluetooth® 一詞及其標誌（商標）為 Bluetooth SIG, Inc. 所擁有之註冊商標。Robert Bosch Power Tools GmbH 對於此詞彙/標誌之任何使用均已取得授權。

符號

以下符號可以幫助您正確地使用本電動工具。請牢記各符號和它們的代表意義。正確了解各符號代表的意思，可以幫助您更有把握更安全地操作本電動工具。

符號和它們的代表意義



如需更換嵌件工具，請將鎖定套筒向後拉。



產品和功率描述



請詳讀所有安全注意事項和指示。如未遵守安全注意事項與指示，可能導致火災、人員遭受電擊及/或重傷。

請留意操作說明書中最前面的圖示。

依規定使用機器

本電動工具適合在混凝土、砌牆及石材進行鎚擊鑽孔，亦適用於鑿削作業。

電動工具若有搭載 Bluetooth® Low Energy Module **GCY 42**，即可透過 Bluetooth® 無線技術，與終端行動裝置傳輸資料和設定。

插圖上的機件

機件的編號和電動工具詳解圖上的編號一致。

- (1) SDS max 夾頭
- (2) SDS max 工具夾座
- (3) 防塵蓋
- (4) 鎖定套筒
- (5) 停止旋轉開關

- (6) 減震裝置
- (7) 起停開關鎖止按鈕
- (8) 把手（絕緣握柄）
- (9) 起停開關
- (10) 充電電池^{a)}
- (11) 工作燈
- (12) 輔助手柄（絕緣握柄）
- (13) 充電電池解鎖按鈕^{a)}
- (14) 使用者介面
- (15) 藍牙® Low Energy Module GCY 42 的護蓋
- (16) 充電電池的電量指示器（使用者介面）
- (17) 快關功能指示器（使用者介面）
- (18) 工作模式指示器（使用者介面）
- (19) 工作模式選擇鈕（使用者介面）
- (20) 電動工具狀態指示器（使用者介面）
- (21) 智慧型手機符號（使用者介面）
- (22) 溫度指示器（使用者介面）

a) 圖文中提到的配件，並不包含在基本的供貨範圍中。本公司的配件清單中有完整的配件供應項目。

技術性數據

充電式鎚擊電鑽		GBH 18V-40 C	GBH 18V-40 C
產品機號		3611 J17 0..	3611 J17 1..
額定電壓	V=	18	18
衝擊次數 ^{A)}	min ⁻¹	0-3130	0-3130
單次鎚擊強度符合 EPTA-Procedure 05:2016	J	9.0	9.0
額定轉速	min ⁻¹	0-360	0-360
工具夾座		SDS max	SDS max
Bluetooth® Low Energy Modul GCY 42		● ^{B)}	- ^{C)}
最大鑽孔直徑：			
- 混凝土	mm	40	40
- 混凝土（使用空心鑽頭）	mm	90	90
重量符合 EPTA-Procedure 01:2014 ^{D)}	kg	7.4-8.4	7.4-8.4
長度	mm	502	502
高度	mm	253	253
充電狀態下的建議環境溫度	°C	0 ... +35	0 ... +35
操作狀態下的容許環境溫度 ^{E)} 以及存放狀態下	°C	-20 ... +50	-20 ... +50
相容的充電電池		GBA 18V... ProCORE18V...	GBA 18V... ProCORE18V...
為確保最大效能而建議使用的充電電池		ProCORE18V... ≥ 5.5 Ah	ProCORE18V... ≥ 5.5 Ah
建議使用的充電器		GAL 18... GAX 18... GAL 36...	GAL 18... GAX 18... GAL 36...

資料傳輸

充電式鏈擊電鑽		GBH 18V-40 C	GBH 18V-40 C
藍牙 ^{A)}		藍牙 4.2 (低功率) ^{F)}	藍牙 4.2 (低功率) ^{F)}
訊號間隔時間	秒	8	8
訊號最遠傳送範圍 ^{G)}	m	30	30

A) 於 20–25 °C 配備充電電池 **GBA 18V 8.0Ah** 時測得。

B) 預先安裝

C) 可擴充式

D) 視所使用的充電蓄電池而定

E) 溫度 <0 °C 和 > 40 °C 時，性能受限

F) 終端行動裝置必須與 *Bluetooth*[®] (藍牙) 低功耗設備 (4.2 版) 相容，並支援 Generic Access Profile (GAP)。

G) 此傳送範圍受外在環境條件 (包含您所使用之接收裝置) 的影響而有極大差異。在密閉空間內，諸如牆面、置物櫃、提箱等物品中的金屬部件會阻礙藍牙[®] 功能的傳輸，而使訊號傳送範圍明顯縮小。

充電電池

Bosch 亦販售不含充電電池的充電式電動工具。可以從外包裝看出電動工具的供貨範圍是否包括電池。

為充電電池進行充電

► **只能選用技術性數據裡所列出的充電器。**僅有這些充電器適用於電動工具所使用的鋰離子充電電池。

提示：由於國際運輸規定，出貨時鋰離子充電電池已部分充電。初次使用電動工具之前，請先將充電電池充飽電以確保充電電池蓄滿電力。

安裝充電電池

將已充飽電的充電電池推至充電電池固定座內，直到卡緊。

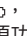
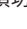
取出充電電池

若要取出充電電池，請按解鎖鈕，然後將充電電池抽出。**不可以強行拉出充電電池。**

本充電電池具備了雙重鎖定功能，即使不小心按壓了充電電池解鎖按鈕，充電電池也不會從機器中掉落出來。固定彈簧會把充電電池夾緊在機器中。

充電電池的電量指示器

充電電池的電量指示器透過綠色 LED 燈告知充電電池的目前電量。基於安全顧慮，務必在電動工具完全靜止時才能檢查充電電池的電量。

按一下電量指示器按鈕  或 , 即可顯示目前的電量。即使已取出充電電池，此項功能仍可正常運作。

按壓電量顯示按鈕後，LED 燈若未亮起，即表示充電電池故障，必須予以更換。

充電電池目前的電量也會顯示在使用者介面顯示目前狀態。

充電電池型號 GBA 18V...



LED	容量
3 顆綠燈持續亮起	60–100 %
2 顆綠燈持續亮起	30–60 %
1 顆綠燈持續亮起	5–30 %
1 顆綠燈呈閃爍狀態	0–5 %

充電電池型號 ProCORE18V...



LED	容量
5 顆綠燈持續亮起	80–100 %
4 顆綠燈持續亮起	60–80 %
3 顆綠燈持續亮起	40–60 %
2 顆綠燈持續亮起	20–40 %
1 顆綠燈持續亮起	5–20 %
1 顆綠燈呈閃爍狀態	0–5 %

如何正確地使用充電電池

妥善保護充電電池，避免濕氣和水分滲入。

充電電池必須儲存在 -20 °C 至 50 °C 的環境中。

夏天不可以把充電電池擱置在汽車中。

偶爾用柔軟、乾淨且乾燥的毛刷清潔充電電池的通氣孔。

充電後如果充電電池的使用時間明顯縮短，代表充電電池已經損壞，必須更換新的充電電池。

請您遵照廢棄物處理相關指示。

安裝

► 在電動工具上進行任何維護的工作 (例如維修，更換工具等) 以及搬運和儲存電動工具之前，都必須電動工具中取出充電電池。若是不小心觸動起停開關，可能造成人員受傷。

- ▶ 對電動工具進行任何維護的工作（例如維修、更換工具等等），以及搬運、存放本裝置之前，請按壓鎖止按鈕，以便鎖定起停開關的位置。若是小心觸動起停開關，可能造成人員受傷。

設置 Bluetooth® Low Energy Module GCY 42 (配件)

如需 Bluetooth® Low Energy Module GCY 42 的相關資訊，請詳讀其操作說明書。

輔助手柄

- ▶ 操作電動工具時務必使用輔助手柄 (12)。
- ▶ 確保輔助手柄始終牢固鎖緊。否則您可能在作業時無法再控制電動工具。

翻轉輔助手柄 (請參考圖 B)

輔助手柄 (12) 可隨意翻轉，以便採取一個穩固而不容易感到疲勞的工作姿勢。

- 逆時針旋轉輔助手柄 (12) 的下方握把處，以便將輔助手柄 (12) 轉至所需位置。然後再順時針旋轉輔助手柄 (12) 的下方握把處，將其重新鎖緊。注意，輔助手柄的固定套圈必須位於機殼上的固定套圈專屬凹槽中。

選用夾頭和工具

進行銼擊鑽孔和鑿削時，必須使用能夠安裝在 SDS-max 夾頭上的 SDS-max 工具。

更換工具

防塵蓋 (3) 可阻止鑽孔時所產生的大部份粉塵侵入工具夾座。安裝工具時要小心，請勿損壞防塵蓋 (3)。

- ▶ 防塵蓋若有受損，應立即更換。最好委託本公司的顧客服務處換裝。

更換工具 (SDS-max)

安裝嵌件工具 (請參考圖 C)

使用 SDS-max 夾頭，能夠簡便地更換嵌件工具，無需借助其它輔助工具。

- 清潔嵌件工具的插入端並且塗上少許潤滑油脂。
- 將鎖定套筒 (4) 往後推，然後將嵌件工具轉進刀具承座中。放開鎖定套筒 (4) 即可固定住嵌件工具的位置。
- 拉動工具以確認它是否已正確鎖止。

取出嵌件工具 (請參考圖 D)

- 將鎖定套筒 (4) 往後推，然後便可取出嵌件工具。

吸鋸塵/吸鋸屑

含鉛的顏料及部分木材、礦物和金屬的加工廢塵有害健康。機器操作者或者工地附近的人如果接觸、吸入這些廢塵，可能會有過敏反應或者感染呼吸道疾病。

特定粉塵（例如加工橡木或山毛櫸的廢塵）可能致癌，特別是與處理木材的添加劑（例如木材的防腐劑等）混合之後。只有經過專業訓練的人才允許加工含石棉的物料。

- 工作場所要保持空氣流通。
 - 建議佩戴 P2 濾網等級的口罩。
- 請留意並遵守貴國與加工物料有關的法規。
- ▶ 避免讓工作場所堆積過多的塵垢。塵埃容易被點燃。

操作

操作機器

- ▶ 請注意：機器運作期間，Bluetooth® Low Energy Module GCY 42 的護蓋 (15) 應為關閉狀態。防止粉塵跑進機內。

設定操作模式 (請參考圖 E)

您可利用停止旋轉開關 (5) 選擇電動工具的操作模式。

- 如需變更操作模式，請將停止旋轉開關 (5) 轉至所需位置。

提示：請務必在電動工具關閉電源時才變更操作模式！否則可能造成電動工具損壞。

提示：如果您在起停開關處於鎖定狀態下時切換至其他操作模式，電動工具將因此開機。

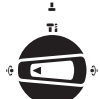


銼擊鑽孔位置

若是嵌件工具無法立即轉動，請讓電動工具緩慢運行，直到嵌件工具隨著轉動。



Vario-Lock 位置是用來調整整頭位置



鑿削位置



啟動/關閉

- 必要時可解開起停開關的鎖止按鈕 (7)。
 - 若要**啟動**電動工具：按下起停開關 (9)。
- 輕按起停開關(9)或完全按下時，工作燈(11)隨即亮起，可照亮光線不足的工作區域。
- 放開起停開關(9)，即可讓電動工具**停止運轉**。
- 在低溫的工作環境中，必須經過短暫的暖機，電動工具才能夠發揮最大的銼擊/衝擊功率。

調整轉速/銼擊次數

您可為已啟動的電動工具無段調控轉速/衝擊次數，轉速是由按壓起停開關 (9) 的深度決定。

輕按起停開關 (9) 時，轉速/衝擊次數較低。逐漸在開關上加壓，轉速/衝擊次數也會跟著提高。您也可以到使用者介面上或利用智慧型手機 App 來調控轉速。

改變鑿頭位置 (Vario-Lock)

鑿頭可固定在 **16** 個不同的位置上。藉此，您可採取最佳的工作姿勢。

- 把鑿頭插進工具夾座中。
- 請將停止旋轉開關 **(5)** 轉至「Vario-Lock」位置。
- 把鑿頭旋轉到所需的工作位置上。
- 請將停止旋轉開關 **(5)** 轉至「挖鑿」位置。工具夾座隨之鎖定。

挖鑿時使用鎖定功能

長時間挖鑿時，可將起停開關的位置鎖定在「挖鑿」操作模式上，於是您就不必一直按著起停開關 **(9)**。

- 若要**鎖定**起停開關 **(9)** 的位置，請將它完全按壓到底，然後同時按壓鎖止按鈕 **(7)**。
- 再按一次鎖止按鈕 **(7)** 即可關閉此項功能。

使用者介面 (請參考圖 F)

使用者介面 **(14)** 可用來選擇工作模式以及示意電動工具的目前狀態。

顯示目前狀態

電動工具狀態指示器 (20)	代表意義/原因	解決辦法
綠色	正常狀態	-
黃色	已達到臨界溫度或充電電池的電量即將用盡	讓電動工具空轉並降溫冷卻，或是儘快更換充電電池/為其充電
紅色	電動工具過熱或充電電池的電量耗盡	讓電動工具降溫冷卻，或是更換充電電池/為其充電
紅色	在「鏟擊鑽孔」操作模式下按下了鎖止按鈕	再按一次鎖止按鈕
	在操作期間按下了停止旋轉開關	先將電動工具關機，然後再重新啟動
	馬達卡住，充電電池電力不足	為充電電池充電或使用建議的充電電池
	一般性的錯誤	- 將電動工具關閉然後重新開啟，或取下充電電池再重新裝入
		如仍繼續發生錯誤： - 將電動工具送交顧客服務處
紅色閃爍	快關功能已觸發	先將電動工具關機，然後再重新啟動
- 連同快關功能指示器 (17)		
藍色閃爍	電動工具與終端行動裝置進行連線，或進行設定的傳輸	-

充電電池的電量指示器 (使用者介面) (16)	代表意義/原因	解決辦法
綠色 (2 至 5 格)	仍有足夠電力	-
黃色 (1 格)	充電電池的電量即將用盡	儘快更換充電電池或為其充電
紅色 (1 格)	充電電池的電量耗盡	更換充電電池或為其充電

智慧型手機符號 (21)	代表意義/原因
-	透過藍牙®無線技術，可在已連接終端行動裝置的情況下，顯示更多的資訊。

溫度指示器 (22)	代表意義/原因	解決辦法
黃色	充電電池或電動工具的操作溫度明顯提高，但功率下降	讓電動工具降溫冷卻或更換過熱的充電電池
紅色	已超過充電電池或電動工具的操作溫度，將關閉以保護電動工具	讓電動工具降溫冷卻或更換過熱的充電電池

選擇工作模式

反覆按壓工作模式選擇鈕 **(19)**，直到出現您想使用的工作模式。

提示：在 **Auto** 和 **Soft** 工作模式下，這些功能皆為預設。在 **Favorite** 工作模式下，可透過智慧型手機設定預設的功能。

工作模式指示器 (18)	功能
Auto 亮起	<p>工作模式 Auto : 快速、適度地加速至最大功率</p> <ul style="list-style-type: none"> 操作模式「鎚擊鑽孔」(電子精密控制/Electronic Precision Control緩速起動) : 快速、適度地加速至最大功率 快關功能 (KickBack Control) 已啟動 操作模式「挖鑿」(電子式轉速調控/Adaptive Speed Control緩速起動) : 快速、適度地加速至最大功率
Favorite 亮起	<p>工作模式 Favorite : 透過智慧型手機 App 進行的個人化組態設定 (僅限搭配 3 611 J17 0.. 藍牙® 低功耗模組 GCY 42)</p> <p>以下設定為預先配置 :</p> <ul style="list-style-type: none"> 操作模式「鎚擊鑽孔」(電子精密控制/Electronic Precision Control緩速起動) : 適度地加速至降低的中度功率 快關功能 (KickBack Control) 已啟動 操作模式「挖鑿」(電子式轉速調控/Adaptive Speed Control緩速起動) : 最快加速, 直到最高功率
Soft 亮起	<p>操作模式 Soft : 降低的功率, 用於脆弱材料的加工</p> <ul style="list-style-type: none"> 操作模式「鎚擊鑽孔」(電子精密控制/Electronic Precision Control緩速起動) : 慢速、嚴格適度地加速至降低的低功率 快關功能 (KickBack Control) 已啟動 操作模式「挖鑿」(電子式轉速調控/Adaptive Speed Control緩速起動) : 慢速、嚴格適度地加速至降低的功率

連線後支援的功能

搭配使用藍牙® Low Energy Module **GCY 42** 時, 電動工具連線後支援以下功能 :

- 註冊及植入個人化設置
- 狀態檢測、發送警告訊息
- 提供一般資訊、設定工具
- 管理

如需 *Bluetooth® Low Energy Module GCY 42* 的相關資訊, 請詳讀其操作說明書。

作業注意事項

- ▶ 搭載 *Bluetooth® Low Energy Module GCY 42* 的電動工具配備無線介面。請您務必遵守不同場所的使用限制條件, 例如在飛機或醫院內。
- ▶ 進入禁止使用 *Bluetooth®* 無線技術的區域時, *Bluetooth® Low Energy Module GCY 42* 以及鈕扣電池必須取下。

提示: 電動工具內如有 *Bluetooth® Low Energy Module GCY 42* 和鈕扣電池時, 務必確實關上護蓋 (15)。

- 若要關閉 *Bluetooth® Low Energy Module GCY 42*, 請轉動鈕扣電池或在鈕扣電池和 *Bluetooth® Low Energy Module GCY 42* 之間置放一個絕緣件。
- 關上護蓋 (15), 讓灰塵無法侵入。

過載離合器

- ▶ 如果工具卡住了, 傳往主軸的動力會中斷。請務必用雙手握穩電動工具並採取穩固站姿, 以隨時承受此時出現的作用力。

- ▶ 如果電動工具卡死, 請關閉電動工具的電源, 然後鬆開嵌件工具。啟動機器時如果安裝在機器上的鑽孔工具被卡住了, 會產生高的反作用扭力。

快關功能 (Kickback Control)



與未配備 Kickback Control 的電動工具相較之下, 快關功能 (Kickback Control) 可讓您更容易掌控電動工具, 因此操作人員的安全性也就隨之獲得更多保障。電動工具的鑽孔轉軸只要有非預期性的突發旋轉動作, 將立即停機, 此時快關功能指示器 (17) 將隨之亮起紅色且工作燈 (11) 也會閃爍。快關功能啟用時, 狀態指示器 (20) 呈紅色閃爍狀態。

- 此時若想繼續操作, 則須將起停開關 (9) 放開後再重新按壓。

電子精密控制功能 (Electronic Precision Control)

電子精密控制功能可支援您在脆弱材料上鑽孔和衝擊加工時, 讓機器延緩全速啟動以便您精準地進行加工。

「挖鑿」操作模式下的電子式轉速調控功能 (Adaptive Speed Control)



本電動工具是以低轉速啟動, 然後再提升至設定的轉速, 方便您掌控並精準對位。電動工具只要一抵住, 便會立刻自動啟用電子式轉速調控功能。

減震裝置

 內建減震裝置，可減緩震動。

- ▶ 如果減震裝備損壞了，勿繼續使用電動工具。

維修和服務**保養與清潔**

- ▶ 在電動工具上進行任何維護的工作（例如維修，更換工具等）以及搬運和儲存電動工具之前，都必須電動工具中取出充電電池。若是不小心觸動起停開關，可能造成人員受傷。
 - ▶ 電動工具和通風口都必須保持清潔，這樣才能夠提高工作品質和安全性。
 - ▶ 防塵蓋若有受損，應立即更換。最好委託本公司的顧客服務處換裝。
- 每次使用後，請清潔工具夾座 (2)。

顧客服務處和顧客諮詢中心

本公司顧客服務處負責回答有關本公司產品的維修、維護和備用零件的問題。以下的網頁中有分解圖和備用零件相關資料：www.bosch-pt.com
如果對本公司產品及其配件有任何疑問，博世應用諮詢小組很樂意為您提供協助。

當您需要諮詢或訂購備用零件時，請務必提供本產品型號銘牌上 10 位數的產品機號。

台灣

台灣羅伯特博世股份有限公司
建國北路一段90號6樓
台北市10491
電話: (02) 7734 2588
傳真: (02) 2516 1176
www.bosch-pt.com.tw

制造商地址:

Robert Bosch Power Tools GmbH
羅伯特·博世電動工具有限公司
70538 Stuttgart / GERMANY
70538 斯圖加特/德國

以下更多客戶服務處地址：

www.bosch-pt.com/serviceaddresses

搬運

建議使用的鋰離子充電電池受危險物品法的規範。使用者無須另外使用保護包裝便可運送該充電電池。

但是如果將它交由第三者運送（例如：寄空運或委託運輸公司），則應遵照包裝與標示的相關要求。此時必須向危險物品專家請教有關寄送危險物品的相關事宜。

確定充電電池的外殼未受損後，才可以寄送充電電池。用膠帶貼住裸露的接點並妥善包裝充電電池，不可以讓充電電池在包裝材料中晃動。同時也應留意各國相關法規。

廢棄物處理

必須以符合環保的方式，將損壞的電動工具、充電電池、配件和包裝材料進行回收再利用。



不可以把電動工具和充電電池/拋棄式電池丟入一般家庭垃圾中！

充電電池/拋棄式電池：**鋰離子：**

請注意「搬運」段落中的指示（參見「搬運」，頁 68）。

有關台灣的更多資訊**NCC 警語****低功率電波輻射性電機管理辦法**

第十二條經型式認證合格之低功率射頻電機，非經許可，公司，商號或使用者均不得擅自變更頻率，加大功率或變更原設計之特性及功能。

第十四條低功率射頻電機之使用不得影響飛航安全及干擾合法通信；經發現有干擾現象時，應立即停用，並改善至無干擾時方得繼續使用。

前項合法通信，指依電信規定作業之無線電信。

低功率射頻電機須忍受合法通信或工業，科學及醫療用電波輻射性電機設備之干擾。

ไทย**กฎระเบียบเพื่อความปลอดภัย****คำเตือนเพื่อความปลอดภัยทั่วไปสำหรับเครื่องมือไฟฟ้า****คำเตือน** อ่านคำเตือนเพื่อความปลอดภัย คำแนะนำ ภาพประกอบ และข้อมูล

จำเพาะทั้งหมดที่จัดส่งมาพร้อมกับเครื่องมือไฟฟ้า

การไม่ปฏิบัติตามคำแนะนำทั้งหมดที่ระบุไว้ด้านล่างนี้อาจทำให้ถูกไฟฟ้าดูด เกิดไฟไหม้ และ/หรือได้รับบาดเจ็บอย่างร้ายแรง

เก็บรักษาคำเตือนและคำสั่งทั้งหมดสำหรับเปิดอ่านในภายหลัง

คำว่า "เครื่องมือไฟฟ้า" ในคำเตือนหมายถึง เครื่องมือไฟฟ้าของท่านที่ทำงานด้วยพลังงานไฟฟ้าจากแหล่งจ่ายไฟหลัก (มีสายไฟฟ้า) และเครื่องมือไฟฟ้าที่ทำงานด้วยพลังงานไฟฟ้าจากแบตเตอรี่ (ไร้สาย)

ความปลอดภัยในสถานที่ทำงาน

- ▶ รักษาสถานที่ทำงานให้สะอาดและมีไฟส่องสว่างดี สถานที่ที่มีมืดหรือรกรุงรังนำมาซึ่งอุบัติเหตุ
- ▶ อย่าใช้เครื่องมือไฟฟ้าทำงานในสภาพบรรยากาศที่จุดติดไฟได้ เช่น ในที่มีมีของเหลวไวไฟ ก๊าซ หรือฝุ่น เมื่อใช้เครื่องมือไฟฟ้าจะเกิดประกายไฟซึ่งอาจจุดฝุ่นหรือไอให้ลุกเป็นไฟได้
- ▶ ขณะใช้เครื่องมือไฟฟ้าทำงาน ต้องกันเด็กและผู้ยืนดูให้ออกห่าง การหันเหความสนใจอาจทำให้ท่านขาดการควบคุมเครื่องได้

ความปลอดภัยเกี่ยวกับไฟฟ้า

- ▶ ปลั๊กของเครื่องมือไฟฟ้าต้องเหมาะสมพอดีกับเต้าเสียบ อย่าตัดแปลงปลั๊กไม่ว่าในลักษณะใดๆ อย่างเด็ดขาด อย่าใช้ปลั๊กพ่วงต่อใดๆ กับเครื่องมือไฟฟ้าที่มีสายดิน ปลั๊กที่ไม่ตัดแปลงและเต้าเสียบที่เข้ากันช่วยลดความเสี่ยงจากการถูกไฟฟ้าดูด
- ▶ หลีกเลี่ยงอย่าให้ร่างกายสัมผัสกับพื้นผิวที่ต่อสายดินหรือลงกราวด์ไว้ เช่น ท่อ เครื่องทำความร้อน เตา และตู้เย็น จะเสี่ยงอันตรายจากการถูกไฟฟ้าดูดมากขึ้นหากกระแสไฟวิ่งผ่านร่างกายของท่านลงดิน
- ▶ อย่าให้เครื่องมือไฟฟ้าถูกฝนหรืออยู่ในสภาพเปียกชื้น หากน้ำเข้าในเครื่องมือไฟฟ้า จะเพิ่มความเสี่ยงจากการถูกไฟฟ้าดูด
- ▶ อย่าใช้สายไฟฟ้าในทางที่ผิด อย่าใช้สายไฟฟ้าเพื่อยก ดึง หรือถอดปลั๊กเครื่องมือไฟฟ้า กับสายไฟ้ออกห่างจากความร้อน น้ำมัน ขอบแหลมคม หรือชิ้นส่วนที่เคลื่อนที่ สายไฟฟ้าที่ชำรุดหรือพันกันยุ่งเพิ่มความเสี่ยงจากการถูกไฟฟ้าดูด
- ▶ เมื่อใช้เครื่องมือไฟฟ้าทำงานกลางแจ้ง ให้ใช้สายไฟต่อที่เหมาะสมสำหรับการใช้งานกลางแจ้ง การใช้สายไฟต่อที่เหมาะสมสำหรับงานกลางแจ้ง ช่วยลดอันตรายจากการถูกไฟฟ้าดูด
- ▶ หากไม่สามารถหลีกเลี่ยงการใช้เครื่องมือไฟฟ้าทำงานในสถานที่เปียกชื้นได้ ให้ใช้สวิตช์ตัดวงจรเมื่อเกิดการรั่วไหลของไฟฟ้าจากสายดิน (RCD) การใช้สวิตช์ตัดวงจรเมื่อเกิดการรั่วไหลของไฟฟ้าจากสายดินช่วยลดความเสี่ยงต่อการถูกไฟฟ้าดูด

ความปลอดภัยของบุคคล

- ▶ ท่านต้องอยู่ในสภาพเตรียมพร้อม ระมัดระวังในสิ่งที่ท่านกำลังทำอยู่ และมีสติขณะใช้เครื่องมือไฟฟ้าทำงาน อย่าใช้เครื่องมือไฟฟ้าขณะที่ท่านกำลังเหนื่อย หรืออยู่

ภายใต้การครอบงำของฤทธิ์ของยาเสพติด

- แอลกอฮอล์ และยา เมื่อใช้เครื่องมือไฟฟ้าทำงานในช่วงเวลาที่ท่านขาดความเอาใจใส่อาจทำให้บุคคลบาดเจ็บอย่างรุนแรงได้
- ▶ ใช้อุปกรณ์ปกป้องร่างกาย สวมแว่นตานิยมกันแสง อุปกรณ์ปกป้อง เช่น หน้ากากกันฝุ่น รองเท้ากันลื่น หมวกแข็ง หรือประคบหูกันเสียงดังที่ใช้ตามความเหมาะสมกับสภาพการทำงาน จะลดการบาดเจ็บทางร่างกาย
 - ▶ ป้องกันการติดเครื่องโดยไม่ตั้งใจ ตรวจสอบให้แน่ใจว่าสวิตช์อยู่ในตำแหน่งปิดก่อนเชื่อมต่อเข้ากับแหล่งจ่ายไฟ และ/หรือแบตเตอรี่แพ็ค ยกหรือถือเครื่องมือถือเครื่องโดยใช้นิ้วหัวที่สวิตช์ หรือเสียบปลั๊กไฟฟ้าขณะสวิตช์เปิดอยู่ อาจนำไปสู่อุบัติเหตุที่ร้ายแรงได้
 - ▶ นำเครื่องมือปรับแต่งหรือประแจปากตายออกก่อนเปิดสวิตช์เครื่องมือไฟฟ้า เครื่องมือหรือประแจปากตายที่วางอยู่กับส่วนของเครื่องที่กำลังหมุนจะทำให้บุคคลบาดเจ็บได้
 - ▶ อย่าเอื้อมไกลเกินไป ตั้งท้ายที่นั่งมั่นคงและวางน้ำหนักให้สมดุลตลอดเวลา ในลักษณะนี้ท่านสามารถควบคุมเครื่องมือไฟฟ้าในสถานการณ์ที่ไม่คาดคิดได้ดีกว่า
 - ▶ แต่งกายอย่างเหมาะสม อย่าใส่เสื้อผ้าหลวมหรือสวมเครื่องประดับ เอาผมและเสื้อผ้าออกจากชิ้นส่วนที่เคลื่อนที่ เสื้อผ้าหลวม เครื่องประดับ และผมยาวอาจเข้าไปติดในชิ้นส่วนที่เคลื่อนที่
 - ▶ หากเครื่องมือไฟฟ้ามีข้อเชื่อมต่อกับเครื่องดูดฝุ่นหรือเครื่องเก็บผง ให้ตรวจสอบให้แน่ใจว่าได้เชื่อมต่อและใช้งานอย่างถูกต้อง การใช้อุปกรณ์ดูดฝุ่นช่วยลดอันตรายที่เกิดจากฝุ่นได้
 - ▶ เมื่อใช้งานเครื่องมือบ่อยครั้งจะเกิดความคุ้นเคย อย่าให้ความคุ้นเคยทำให้ท่านเกิดความชะล่าใจและละเลยกฎเกณฑ์ด้านความปลอดภัยในการใช้งานเครื่อง การทำงานอย่างไม่ระมัดระวังอาจทำให้เกิดการบาดเจ็บอย่างร้ายแรงภายในเสี้ยววินาที

การใช้และการดูแลรักษาเครื่องมือไฟฟ้า

- ▶ อย่างนินกำลังเครื่องมือไฟฟ้า ใช้เครื่องมือไฟฟ้าที่ถูกต้องตรงตามลักษณะงานของท่าน เครื่องมือไฟฟ้าที่ถูกต้องจะทำงานได้ดีกว่าและปลอดภัยกว่าในระดับสมรรถภาพที่ออกแบบไว้
- ▶ อย่าใช้เครื่องมือไฟฟ้าตัวสวิตช์ไม่สามารถเปิดปิดได้ เครื่องมือไฟฟ้าที่ไม่สามารถควบคุมการเปิดปิดด้วยสวิตช์ได้ เป็นเครื่องมือไฟฟ้าที่ไม่ปลอดภัยและต้องส่งซ่อมแซม
- ▶ ก่อนปรับแต่งเครื่อง เปลี่ยนอุปกรณ์ประกอบ หรือเก็บเครื่องเข้าที่ ต้องถอดปลั๊กออกจากแหล่งจ่ายไฟ และ/

หรือถอดแบตเตอรี่แพ็คเกจจากเครื่องมือไฟฟ้าหากถอดออกได้

มาตรการป้องกันเพื่อความปลอดภัยนี้ช่วยลดความเสี่ยงจากการติดเครื่องโดยไม่ตั้งใจ

- ▶ **เมื่อเลิกใช้งานเครื่องมือไฟฟ้า ให้เก็บเครื่องไว้ในที่เด็กหยิบไม่ถึง และไม่อนุญาตให้บุคคลที่ไม่คุ้นเคยกับเครื่องหรือบุคคลที่ไม่ได้อ่านคำแนะนำเหล่านี้ใช้เครื่อง** เครื่องมือไฟฟ้าเป็นของอันตรายหากตกอยู่ในมือของผู้ใช้ที่ไม่ได้รับการฝึกฝน
- ▶ **บำรุงรักษาเครื่องมือไฟฟ้าและอุปกรณ์ประกอบ** ตรวจสอบชิ้นส่วนที่เคลื่อนที่ว่าว่าง ไม่ตรงแนวหรือติดขัดหรือไม่ ตรวจสอบการแตกหักของชิ้นส่วนและสภาพอื่นใดที่อาจมีผลต่อการทำงานของเครื่องมือไฟฟ้า หากชำรุดต้องส่งเครื่องมือไฟฟ้าไปซ่อมแซมก่อนใช้งาน อุบัติเหตุหลายอย่างเกิดขึ้นเนื่องจากดูแลรักษาเครื่องมือไม่ดีพอ
- ▶ **รักษาเครื่องมือตัดให้คมและสะอาด** หากบำรุงรักษาเครื่องมือที่มีขอบตัดแหลมคมอย่างถูกต้อง จะสามารถตัดได้ลื่นไม่ติดขัดและควบคุมได้ง่ายกว่า
- ▶ **ใช้เครื่องมือไฟฟ้า อุปกรณ์ประกอบ เครื่องมือ และอุปกรณ์อื่น ๆ** ตรงตามคำแนะนำเหล่านี้ โดยคำนึงถึงเงื่อนไขการทำงานและงานที่จะทำ การใช้เครื่องมือไฟฟ้าทำงานที่ต่างไปจากวัตถุประสงค์การใช้งานของเครื่อง อาจนำไปสู่สถานการณ์ที่เป็นอันตรายได้
- ▶ **ดูแลคัมจับและพื้นผิวจับให้แห้ง สะอาด และปราศจากคราบน้ำมันและจาระบี** คัมจับและพื้นผิวจับที่ลื่นทำให้หยิบจับได้ไม่ปลอดภัย และไม่สามารถควบคุมเครื่องมือในสถานการณ์ที่ไม่คาดคิด

การใช้และการดูแลรักษาเครื่องมือที่ใช้แบตเตอรี่

- ▶ **ชาร์จไฟใหม่ด้วยเครื่องชาร์จที่บริษัทผู้ผลิตระบุไว้เท่านั้น** เครื่องชาร์จที่เหมาะสมสำหรับชาร์จแบตเตอรี่แพ็คเกจชนิดนี้ หากนำไปชาร์จแบตเตอรี่แพ็คเกจอื่น อาจเกิดไฟไหม้ได้
- ▶ **ใช้เครื่องมือไฟฟ้าเฉพาะกับแบตเตอรี่แพ็คเกจที่กำหนดไว้เท่านั้น** การใช้แบตเตอรี่แพ็คเกจอื่นเสี่ยงต่อการเกิดไฟไหม้หรือบาดเจ็บ
- ▶ **เมื่อไม่ใช้งานแบตเตอรี่แพ็คเกจ ให้เก็บไว้ห่างวัตถุที่เป็นโลหะอื่นๆ เช่น คลิปหนีบกระดาษ เหรียญ กุญแจ ตะปู สกรู หรือวัตถุที่เป็นโลหะขนาดเล็กอื่นๆ ที่สามารถเชื่อมต่อขั้วหนึ่งไปยังอีกขั้วหนึ่งได้** การลัดวงจรของขั้วแบตเตอรี่อาจทำให้เกิดการไหม้หรือไฟลุกได้
- ▶ **หากใช้แบตเตอรี่อย่างอาจมีของเหลวไหลออกมาจากแบตเตอรี่ได้ ให้หลีกเลี่ยงการสัมผัส หากสัมผัสโดย**

บังเอิญ ให้ใช้น้ำล้าง หากของเหลวเข้าตา ให้ขอความช่วยเหลือจากแพทย์ด้วย

ของเหลวที่ไหลออกมาจากแบตเตอรี่อาจทำให้เกิดอาการคันหรือแสบผิวหนังได้

- ▶ **อย่าใช้แบตเตอรี่แพ็คเกจหรือเครื่องมือที่ชำรุดหรือดัดแปลง** แบตเตอรี่ที่ชำรุดหรือดัดแปลงอาจแสดงอาการที่ไม่สามารถคาดเดาได้ ส่งผลให้เกิดไฟไหม้ ระเบิด หรือความเสี่ยงต่อการได้รับบาดเจ็บ
- ▶ **อย่าให้แบตเตอรี่แพ็คเกจหรือเครื่องมือสัมผัสไฟหรืออุณหภูมิที่สูงเกินไป** หากสัมผัสไฟหรืออุณหภูมิที่สูงกว่า 130 °C อาจทำให้เกิดการระเบิดได้
- ▶ **ปฏิบัติตามคำแนะนำเกี่ยวกับการชาร์จทั้งหมด และต้องไม่ชาร์จแบตเตอรี่แพ็คเกจหรือเครื่องมือ** นอกช่วงอุณหภูมิที่กำหนดในคำแนะนำ การชาร์จแบตเตอรี่อย่างไม่ถูกวิธีหรือนอกช่วงอุณหภูมิที่กำหนด อาจทำให้แบตเตอรี่เสียหายและเพิ่มความเสี่ยงต่อการเกิดไฟไหม้

การบริการ

- ▶ **ส่งเครื่องมือไฟฟ้าของท่านเข้ารับบริการจากช่างซ่อมที่มีคุณสมบัติเหมาะสม โดยใช้อะไหล่ที่เหมือนกันเท่านั้น** ในลักษณะนี้ท่านจะแน่ใจได้ว่าเครื่องมือไฟฟ้าอยู่ในสภาพที่ปลอดภัย
- ▶ **อย่าบำรุงรักษาแบตเตอรี่แพ็คเกจที่ชำรุดอย่างเด็ดขาด** ต้องส่งให้บริษัทผู้ผลิตหรือศูนย์บริการที่ได้รับอนุญาตทำการบำรุงรักษาแบตเตอรี่แพ็คเกจนั้น

คำเตือนเพื่อความปลอดภัยสำหรับคอน

คำเตือนเพื่อความปลอดภัยสำหรับการทำงานทั้งหมด

- ▶ **สวมประภพหูป้องกันเสียงดัง** การรับฟังเสียงดังอาจทำให้สูญเสียการได้ยิน
- ▶ **ใช้คัมจับเพิ่มหากจัดส่งมาพร้อมกับเครื่องการสูญเสียการควบคุมอาจทำให้บุคคลได้รับบาดเจ็บ**
- ▶ **เมื่อทำงานในบริเวณที่เครื่องมือตัดอาจสัมผัสสายไฟฟ้าที่ซ่อนอยู่** ต้องจับเครื่องมือไฟฟ้าตรงพื้นผิวจับที่หุ้มฉนวน หากเครื่องมือตัดสัมผัสสายที่ "มีกระแสไฟฟ้า" ไหลผ่าน จะทำให้ชิ้นส่วนโลหะที่ไม่ได้หุ้มฉนวนของเครื่องมือไฟฟ้าเกิด "มีกระแสไฟฟ้า" ด้วย และส่งผลให้ผู้ใช้งานเครื่องถูกไฟฟ้าดูดได้

คำเตือนเพื่อความปลอดภัยเมื่อใช้ดอกสว่านยาวด้วยคอนหมุน

- ▶ **เริ่มต้นเจาะด้วยความเร็วต่ำและให้ปลายดอกสว่านสัมผัสชิ้นงานเสมอ** ที่ความเร็วที่สูงกว่า ดอกสว่านอาจ

เครื่องเมื่อปล่อยให้หมมอย่างอิสระโดยไม่สัมผัสชิ้นงาน และส่งผลให้ได้รับบาดเจ็บทางร่างกาย

- ▶ **ใช้แรงกดให้ตรงกับแนวดอกสว่านเท่านั้นและอย่าใช้แรงกดมากเกินไป** โปดดอกสว่านอาจโค้งงอทำให้แตกหักหรือสูญเสียการควบคุม และส่งผลให้ได้รับบาดเจ็บทางร่างกาย

คำแนะนำเพื่อความปลอดภัยเพิ่มเติม

- ▶ **ใช้เครื่องตรวจจับที่เหมาะสมเพื่อตรวจสอบหาสายไฟฟ้าหรือท่อสาธารณูปโภคที่อาจซ่อนอยู่ในบริเวณทำงานหรือติดตั้งบริษัทสาธารณูปโภคในพื้นที่เพื่อขอความช่วยเหลือ** การสัมผัสกับสายไฟฟ้าอาจทำให้เกิดไฟไหม้หรือถูกไฟฟ้าดูด การทำให้ท่อแก๊สเสียหายอาจทำให้เกิดระเบิด การเจาะเข้าไปในท่อ น้ำให้ทรัพย์สินเสียหาย
- ▶ **รอให้เครื่องมือไฟฟ้าหยุดสนิทก่อนวางเครื่องลงบนพื้น** เครื่องมือที่ปล่อยอาจติดขัดและทำให้สูญเสียการควบคุมเครื่องมือไฟฟ้า
- ▶ **ยึดชิ้นงานให้แน่น** การยึดชิ้นงานด้วยเครื่องหนีบหรือแท่นจับจะมั่นคงกว่าการยึดด้วยมือ
- ▶ **เมื่อแบตเตอรี่ชาร์ตและนำไปใช้งานอย่างไม่ถูกต้อง อาจมีไอระเหยออกมาได้** แบตเตอรี่อาจเผาไหม้หรือระเบิดได้ให้สูดอากาศบริสุทธิ์และไปพบแพทย์ในกรณีเจ็บปวด ไอระเหยอาจทำให้ระบมหายใจระคายเคือง
- ▶ **อย่าเปิดแบตเตอรี่** อันตรายจากการลัดวงจร
- ▶ **วัตถุที่แหลมคม ต. ย. เช่น ตะปูหรือไขควง หรือแรงกระทำภายนอก อาจทำให้แบตเตอรี่เสียหายได้** สิ่งเหล่านี้ อาจทำให้เกิดการลัดวงจรภายในและแบตเตอรี่ใหม่ มีควัน ระเบิด หรือร้อนเกินไป
- ▶ **ใช้แบตเตอรี่แพ็คเกจเฉพาะในผลิตภัณฑ์ของผู้ผลิตเท่านั้น** ในลักษณะนี้ แบตเตอรี่แพ็คเกจได้รับการปกป้องจากการใช้งานเกินกำลังซึ่งเป็นอันตราย



ปกป้องแบตเตอรี่จากความร้อน รวมทั้ง ต. ย. เช่น จากการถูกแสงแดดส่องต่อเนื่อง จากไฟลิ่งสปริง น้ำ และความชื้น อันตรายจากการระเบิดและการลัดวงจร



- ▶ **ห้ามสัมผัสเครื่องมือหรือชิ้นส่วนใดๆ ที่อยู่ติดกันหลังเสร็จสิ้นการใช้งานแล้วไม่นาน** ชิ้นส่วนเหล่านี้อาจร้อนจัดระหว่างการทำงานและทำให้เกิดแผลไหม้ได้
- ▶ **เครื่องมืออาจติดขัดในขณะที่** ตั้งหาชิ้นที่มันคงและจับเครื่องมือไฟฟ้าด้วยมือทั้งสองข้างอย่างแน่นหนา มิฉะนั้นคุณอาจสูญเสียการควบคุมเครื่องมือไฟฟ้า
- ▶ **ใช้ความระมัดระวังในขณะที่ถอดสายลิว** เศษวัสดุการรีดลอนที่ร่วงหล่นอาจทำให้ผู้คนรอบข้างหรือตัวคุณเองบาดเจ็บได้

- ▶ **จับเครื่องมือไฟฟ้าให้แน่นด้วยมือทั้งสองข้างและตั้งหาชิ้นที่มันคงขณะทำงาน** ท่านจะสามารถนำทางเครื่องมือไฟฟ้าได้ปลอดภัยกว่าเมื่อจับเครื่องด้วยมือทั้งสองข้าง
- ▶ **ระวัง!** การใช้เครื่องมือไฟฟ้าพร้อม Bluetooth® อาจรบกวนอุปกรณ์และเครื่องมืออื่นๆ เครื่องบิน และอุปกรณ์ทางการแพทย์ (เช่น เครื่องกระตุ้นหัวใจ เครื่องช่วยฟัง) นอกจากนี้ยังอาจเกิดความเสียหายต่อคนและสัตว์ในบริเวณใกล้เคียงด้วย อย่าใช้เครื่องมือไฟฟ้าพร้อม Bluetooth® ใกล้อุปกรณ์ทางการแพทย์ สถานีบริการน้ำมัน โรงงานสารเคมี พื้นที่ที่มีบรรยากาศเสี่ยงต่อการระเบิด และพื้นที่ปฏิบัติการระเบิด อย่าใช้เครื่องมือไฟฟ้าพร้อม Bluetooth® ในเครื่องบิน หลีกเลี่ยงการทำงานเป็นระยะเวลานานตรงบริเวณใกล้เคียงโดยตรง

เครื่องหมายข้อความ Bluetooth® และยี่ห้อเป็นเครื่องหมายการค้าจดทะเบียนและเป็นกรรมสิทธิ์ของ Bluetooth SIG, Inc. บริษัท Robert Bosch Power Tools GmbH ได้รับใบอนุญาตใช้งานเครื่องหมายข้อความ/โลโก้ดังกล่าว

สัญลักษณ์

สัญลักษณ์ต่อไปนี้มีความสำคัญต่อการใช้เครื่องมือไฟฟ้าของท่าน กรุณาจดจำสัญลักษณ์และความหมาย การแปลความสัญลักษณ์ได้ถูกต้องจะช่วยให้ท่านใช้เครื่องมือไฟฟ้าได้ดีและปลอดภัยกว่า

สัญลักษณ์และความหมายของสัญลักษณ์



หากต้องการเปลี่ยนเครื่องมือใช้งานให้ดึงปลอกล็อกไปด้านหลัง



รายละเอียดผลิตภัณฑ์และข้อมูลจำเพาะ



อ่านคำเตือนเพื่อความปลอดภัยและคำแนะนำทั้งหมด การไม่ปฏิบัติตามคำเตือนและคำสั่งอาจเป็นสาเหตุให้ถูกไฟฟ้าดูด เกิดไฟไหม้และ/หรือได้รับบาดเจ็บอย่างร้ายแรง

กรุณาดูภาพประกอบในส่วนหน้าของคู่มือการใช้งาน

ประโยชน์การใช้งานของเครื่อง

เครื่องนี้ใช้สำหรับเจาะตอกในคอนกรีต งานก่ออิฐ และหิน และยังใช้สำหรับงานสกัดเบาๆ

เมื่อมี *Bluetooth*[®] Low Energy Module **GCY 42** ไล่อู่ท่านจะสามารถถ่ายโอนข้อมูลและการตั้งค่าของเครื่องมือไฟฟ้าระหว่างเครื่องมือไฟฟ้าและอุปกรณ์เคลื่อนที่ปลายทางผ่านเทคโนโลยีไร้สาย *Bluetooth*[®]

ส่วนประกอบที่แสดงภาพ

ลำดับเลขของส่วนประกอบผลิตภัณฑ์อ้างอิงถึงส่วนประกอบของเครื่องมือไฟฟ้าที่แสดงในหน้าภาพประกอบ

- (1) หัวจับดอก SDS max
- (2) ด้ามจับเครื่องมือ SDS max
- (3) ฝาครอบกันฝุ่น
- (4) ปลอกสำหรับล้อ
- (5) สวิตช์หยุดการหมุน
- (6) ตัวหน่วงการสั่นสะเทือน
- (7) ปุ่มล๊อคสวิตช์เปิด-ปิด
- (8) ด้ามจับ (พื้นผิวจับหุ้มฉนวน)
- (9) สวิตช์เปิด-ปิด
- (10) แบตเตอรี่แพ็ค^{a)}

- (11) ไฟส่องบริเวณทำงาน
- (12) ด้ามจับเพิ่ม (พื้นผิวจับหุ้มฉนวน)
- (13) แบ้นปลดล็อกแบตเตอรี่^{a)}
- (14) อินเตอร์เฟสผู้ใช้
- (15) ฝาครอบ *Bluetooth*[®] Low Energy Module GCY 42
- (16) ไฟแสดงสถานะการชาร์จแบตเตอรี่ (อินเตอร์เฟสผู้ใช้)
- (17) ไฟแสดงการบิดระบบอย่างรวดเร็ว (อินเตอร์เฟสผู้ใช้)
- (18) ไฟแสดงโหมดงาน (อินเตอร์เฟสผู้ใช้งาน)
- (19) ปุ่มสำหรับเลือกโหมดงาน (อินเตอร์เฟสผู้ใช้งาน)
- (20) ไฟแสดงสถานะเครื่องมือไฟฟ้า (อินเตอร์เฟสผู้ใช้)
- (21) ไอคอนสมาร์ตโฟน (อินเตอร์เฟสผู้ใช้)
- (22) ไฟแสดงอุณหภูมิ (อินเตอร์เฟสผู้ใช้)

- a) อุปกรณ์ประกอบที่แสดงภาพหรืออธิบายไม่รวมอยู่ในการจัดส่งมาตรฐาน กรุณาดูอุปกรณ์ประกอบทั้งหมดในรายการแสดงอุปกรณ์ประกอบของเรา

ข้อมูลทางเทคนิค

ส่วนกระแทกไร้สาย		GBH 18V-40 C	GBH 18V-40 C
หมายเลขสินค้า		3 611 J17 0..	3 611 J17 1..
แรงดันไฟฟ้าพิกัด	V=	18	18
อัตรากระแทก ^{A)}	นาที่ ⁻¹	0-3130	0-3130
พลังงานกระแทกต่อครั้งตามระเบียบการ EPTA-Procedure 05:2016	จูล	9.0	9.0
อัตราความเร็วพิกัด	นาที่ ⁻¹	0-360	0-360
ด้ามจับเครื่องมือ		SDS max	SDS max
<i>Bluetooth</i> [®] Low Energy Modul GCY 42		● ^{B)}	.. ^{C)}
เส้นผ่านศูนย์กลางรูเจาะสูงสุด:			
- คอนกรีต	มม.	40	40
- คอนกรีต (ด้วยดอกเจาะคว้าน)	มม.	90	90
น้ำหนักตามระเบียบการ EPTA-Procedure 01:2014 ^{D)}	กก.	7.4-8.4	7.4-8.4
ความยาว	มม.	502	502
ความสูง	มม.	253	253
อุณหภูมิโดยรอบที่แนะนำเมื่อชาร์จ	°C	0 ... +35	0 ... +35

ส่วนกระแทกโรยสาย		GBH 18V-40 C	GBH 18V-40 C
อุณหภูมิโดยรอบที่อนุญาตเมื่อใช้งาน ^{E)} และระหว่างการทำงาน	°C	-20 ... +50	-20 ... +50
แบตเตอรี่ที่ใช้งานร่วมกันได้		GBA 18V... ProCORE18V...	GBA 18V... ProCORE18V...
แบตเตอรี่ที่แนะนำให้ใช้อย่างเต็มประสิทธิภาพ		ProCORE18V... ≥ 5.5 Ah	ProCORE18V... ≥ 5.5 Ah
เครื่องชาร์จที่แนะนำ		GAL 18... GAX 18... GAL 36...	GAL 18... GAX 18... GAL 36...
การถ่ายโอนข้อมูล			
Bluetooth®		Bluetooth® 4.2 (Low Energy) ^{F)}	Bluetooth® 4.2 (Low Energy) ^{F)}
ระยะห่างสัญญาณ	วินาที	8	8
ช่วงสัญญาณสูงสุด ^{G)}	ม.	30	30

A) ดำเนินการวัด ณ อุณหภูมิ 20–25 °C พร้อมแบตเตอรี่ **GBA 18V 8.0Ah**

B) ติดตั้งมาแล้ว

C) ติดตั้งเพิ่มเติม

D) ขึ้นอยู่กับแบตเตอรี่แพ็คเกจที่ใช้

E) สมรรถภาพจะน้อยลงที่อุณหภูมิ < 0 °C และ > 40 °C

F) อุปกรณ์เคลื่อนที่ปลายทางต้องเข้ากันได้กับอุปกรณ์ Bluetooth®-Low-Energy (รุ่น 4.2) และรองรับ Generic Access Profile (GAP)

G) ช่วงสัญญาณอาจแตกต่างกันมาก ทั้งนี้ขึ้นอยู่กับเงื่อนไขภายนอก รวมทั้งอุปกรณ์รับสัญญาณที่ใช้ ภายในพื้นที่ปิดและเมื่อมีตัวกั้นที่เป็นโลหะ (เช่น ผนัง ชั้นวางของ กระเป๋าเดินทาง ฯลฯ) ช่วงสัญญาณ Bluetooth® อาจลดลงอย่างชัดเจน

แบตเตอรี่

Bosch จำหน่ายเครื่องมือไฟฟ้าไร้สายไม่รวมแบตเตอรี่แพ็คเกจด้วยเช่นกัน คุณสามารถดูได้จากบรรจุภัณฑ์ว่า ขอขเขตการจัดส่งเครื่องมือไฟฟ้าของคุณมีแบตเตอรี่แพ็คเกจหรือไม่

การชาร์จแบตเตอรี่

► **ใช้เฉพาะเครื่องชาร์จแบตเตอรี่ที่ระบุในข้อมูลทางเทคนิคเท่านั้น** เฉพาะเครื่องชาร์จแบตเตอรี่เหล่านี้เท่านั้นที่เข้าชุดกับแบตเตอรี่ลิเธียม ไอออน ของเครื่องมือไฟฟ้าของท่าน

หมายเหตุ: แบตเตอรี่ลิเธียมไอออนถูกจัดส่งโดยมีการชาร์จไฟบางส่วนตามระเบียบข้อบังคับด้านการขนส่งระหว่างประเทศ เพื่อให้แน่ใจว่าแบตเตอรี่จะทำงานได้อย่างสมบูรณ์แบบ ก่อนใช้งานครั้งแรกให้ชาร์จแบตเตอรี่จนเต็ม

การใส่แบตเตอรี่

ใส่แบตเตอรี่ที่ชาร์จแล้วเข้าในด้ามจับจนรู้สึกเข้าล็อก

การถอดแบตเตอรี่

เมื่อต้องการถอดแบตเตอรี่แพ็คเกจ ให้กดแป้นปลดล็อกแบตเตอรี่และดึงแบตเตอรี่แพ็คเกจออกจากเครื่องมือไฟฟ้า

อย่าใช้กำลังดึง

แบตเตอรี่แพ็คเกจมีการล็อก 2 ระดับเพื่อป้องกันไม่ให้แบตเตอรี่แพ็คเกจหลุดออกมาหากกดแป้นปลดล็อกแบตเตอรี่โดยไม่ตั้งใจ เมื่อแบตเตอรี่ถูกบรรจุอยู่ในเครื่องมือไฟฟ้า สปริงจะยึดแบตเตอรี่ให้เข้าตำแหน่ง

ไฟแสดงสถานะการชาร์จแบตเตอรี่

ไฟ LED สีเขียวของการแสดงสถานะการชาร์จแบตเตอรี่แสดงสถานะการชาร์จของแบตเตอรี่ ด้วยเหตุผลด้านความปลอดภัยท่านสามารถตรวจสอบสถานะการชาร์จเฉพาะเมื่อเครื่องมือไฟฟ้าหยุดสนิทเท่านั้น

กดปุ่มสำหรับไฟแสดงสถานะการชาร์จแบตเตอรี่ ☺ หรือ ☹ เพื่อแสดงสถานะการชาร์จ ท่านสามารถกดได้แม้เมื่อได้ถอดแบตเตอรี่ออกแล้ว

หลังจากกดปุ่มสำหรับไฟแสดงสถานะการชาร์จแบตเตอรี่แล้ว ไฟ LED ไม่ติดขึ้น แสดงว่าแบตเตอรี่พร้อมและต้องเปลี่ยนใหม่

สถานะการชาร์จแบตเตอรี่จะปรากฏบน User Interface ไฟแสดงสถานะ

แบตเตอรี่-ชนิด GBA 18V...



LED	ความจุ
ไฟส่องสว่างต่อเนื่อง 3× สีเขียว	60–100 %
ไฟส่องสว่างต่อเนื่อง 2× สีเขียว	30–60 %
ไฟส่องสว่างต่อเนื่อง 1× สีเขียว	5–30 %
ไฟกะพริบ 1× สีเขียว	0–5 %

แบตเตอรี่-ชนิด ProCORE18V...



LED	ความจุ
ไฟส่องสว่างต่อเนื่อง 5× สีเขียว	80–100 %
ไฟส่องสว่างต่อเนื่อง 4× สีเขียว	60–80 %
ไฟส่องสว่างต่อเนื่อง 3× สีเขียว	40–60 %
ไฟส่องสว่างต่อเนื่อง 2× สีเขียว	20–40 %
ไฟส่องสว่างต่อเนื่อง 1× สีเขียว	5–20 %
ไฟกะพริบ 1× สีเขียว	0–5 %

ข้อแนะนำในการปฏิบัติต่อแบตเตอรี่อย่างเหมาะสมที่สุด

ปกป้องแบตเตอรี่จากความชื้นและน้ำ

เก็บรักษาแบตเตอรี่แปกในช่องอุณหภูมิ -20°C ถึง 50°C เท่านั้น อย่าปล่อยให้วางแบตเตอรี่แปกไว้ในรถยนต์ในช่วงฤดูร้อน

ทำความสะอาดช่องระบายอากาศเป็นครั้งคราวโดยใช้แปรงขนอ่อนที่แห้งและสะอาด

หลังจากชาร์จแบตเตอรี่แล้ว หากแบตเตอรี่แปกมีช่วงเวลาทำงานสั้นมาก แสดงว่าแบตเตอรี่แปกเสื่อมและต้องเปลี่ยนใหม่

อ่านและปฏิบัติตามข้อสังเกตสำหรับการกำจัดขยะ

การติดตั้ง

- ▶ ถอดแบตเตอรี่ออกจากเครื่องมือไฟฟ้าก่อนทำการปรับแต่งใดๆ ที่เครื่องมือไฟฟ้า (ต. ย. เช่น บำรุงรักษา

เปลี่ยนเครื่องมือ ฯลฯ) รวมทั้งเมื่อขนย้ายและเก็บรักษา อันตรายจากการบาดเจ็บหากสวิตช์เปิด-ปิดติดขึ้นอย่างไม่ตั้งใจ

- ▶ ก่อนปรับแต่งเครื่องมือไฟฟ้า (เช่น บำรุงรักษา เปลี่ยนเครื่องมือ ฯลฯ) และเมื่อขนย้ายและเก็บรักษาให้กดปุ่มล๊อคเพื่อล๊อคสวิตช์เปิด-ปิด อันตรายจากการบาดเจ็บหากสวิตช์เปิด-ปิดติดขึ้นโดยไม่ตั้งใจ

การใส่ Bluetooth® Low Energy Module GCY 42 (อุปกรณ์ประกอบ)

สำหรับข้อมูลเกี่ยวกับโมดูล Bluetooth® Low Energy Module GCY 42 กรุณาอ่านหนังสือคู่มือการใช้งานที่เกี่ยวข้อง

ด้ามจับเพิ่ม

- ▶ ใช้เครื่องมือไฟฟ้าร่วมกับด้ามจับเพิ่ม (12) เสมอ
- ▶ ตรวจสอบให้แน่ใจว่า ดัชนีที่จับเสริมให้แน่นเสมอ มิฉะนั้นคุณอาจสูญเสียการควบคุมเครื่องมือไฟฟ้าขณะทำงานได้

การหมุนด้ามจับเพิ่ม (ดูภาพประกอบ B)

ท่านสามารถจับด้ามจับเพิ่ม (12) หันไปยังตำแหน่งใดก็ได้ เพื่อให้ได้ท่าทำงานที่มั่นคงและเหนียวแน่น

- หมุนก้านจับด้านล่างของด้ามจับเพิ่ม (12) ทวนเข็มนาฬิกา และหันด้ามจับเพิ่ม (12) ไปยังตำแหน่งที่ต้องการ จากนั้นจึงหมุนก้านจับด้านล่างของด้ามจับเพิ่ม (12) ในทิศทางเข็มนาฬิกากลับเข้าที่ใหม่ ตรวจสอบให้แน่ใจว่าสายรัดปรับความตึงของด้ามจับเพิ่มอยู่ในร่องที่ตัวเครื่อง

การเลือกหัวจับดอกและเครื่องมือ

สำหรับการเจาะดอกและการสกัดตอกใช้เครื่องมือ SDS-max ที่ใส่ในหัวจับดอก SDS-max

การเปลี่ยนเครื่องมือ

ฝาครอบกันฝุ่น (3) ส่วนใหญ่จะป้องกันไม่ให้อันที่เกิดจากการเจาะลอดเข้าไปในด้ามจับเครื่องมือในระหว่างการใช้งาน เมื่อใส่เครื่องมือต้องระวังอย่าให้ฝาครอบกันฝุ่น (3) เสียหาย

- ▶ ต้องเปลี่ยนฝาครอบกันฝุ่นที่ชำรุดโดยทันที เราขอแนะนำว่า ควรส่งให้ศูนย์บริการหลังการขายเปลี่ยนให้

การเปลี่ยนเครื่องมือ (SDS-max)

การใส่เครื่องมือ (ดูภาพประกอบ C)

ด้ามจับเครื่องมือ SDS-max ทำให้เปลี่ยนเครื่องมือเจาะได้ง่ายและสะดวกโดยไม่ต้องใช้เครื่องมืออื่นๆ ช่วย

- ทำความสะอาดและทาลายอะไหล่ที่ปลายก้านเครื่องมือ

- ดันปลอกสำหรับล็อก (4) ไปด้านหลังและจับเครื่องมือหมุนใส่เขาในตามจับเครื่องมือ ปล่อยให้วางจากปลอกสำหรับล็อก (4) อีกครั้งเพื่อล็อกเครื่องมือ
- ดึงเครื่องมือเพื่อตรวจสอบการล็อก

การถอดเครื่องมือ (ดูภาพประกอบ D)

- ดันปลอกสำหรับล็อก (4) ไปด้านหลังและถอดเครื่องมือออก

การดูดฝุ่น/ขี้เลื่อย

ฝุ่นที่ไต่จากวัสดุ เช่น เคลือบผิวที่มีสารตะกั่ว ไม้ยางประเภทแรธาตุ และโลหะ อาจเป็นอันตรายต่อสุขภาพ การสัมผัสหรือการหายใจเอาฝุ่นเข้าไปอาจทำให้เกิดปฏิกิริยาแพ้ฝุ่น และ/หรือนำมาซึ่งโรคติดเชื้อระบบหายใจแก่ผู้ใช้เครื่องมือหรือผู้ที่ยืนอยู่ใกล้เคียง

ฝุ่นบางประเภท เช่น ฝุ่นไม้โอ๊ก หรือไม้บีช นับเป็นสารที่ทำให้เกิดมะเร็ง โดยเฉพาะอย่างยิ่งเมื่อผสมกับสารเติมแต่งเพื่อย่ำบดไม้ (โครเมต ผลิตภัณฑ์รักษาเนื้อไม้) สำหรับวัสดุที่มีแอสเบสทอสต่องให้ผู้เชี่ยวชาญทำงานเท่านั้น

- จัดสถานที่ทำงานให้มีการระบายอากาศที่ดี
- ขอแนะนำให้สวมหน้ากากป้องกันการติดเชื้อที่มีระดับ-ไลกรอง P2

ปฏิบัติตามกฎข้อบังคับสำคัญอื่นๆ ที่เกี่ยวกับวัสดุขึ้นงานที่บังคับใช้ในประเทศของท่าน

- ▶ **ป้องกันการสะสมของฝุ่นในสถานที่ทำงาน**
ฝุ่นสามารถถูกใหม่อย่างง่ายตาย

การปฏิบัติงาน

การเริ่มต้นปฏิบัติงาน

- ▶ ตรวจสอบให้แน่ใจว่าฝาครอบ (15) ของ Bluetooth® Low Energy Module GCY 42 ถูกปิดระหว่างการใช้งาน ทั้งนี้เพื่อป้องกันไม่ให้ฝุ่นเข้า


การตั้งโหมดทำงาน (ดูภาพประกอบ E)

ท่านสามารถเลือกวิธีการปฏิบัติงานของเครื่องมือไฟฟ้าด้วยสวิทช์หยุดการหมุน (5)

- หากต้องการเปลี่ยนโหมดการทำงาน ให้หมุนสวิทช์หยุดการหมุน (5) ไปยังตำแหน่งที่ต้องการ

หมายเหตุ: เปลี่ยนโหมดทำงานเฉพาะเมื่อเครื่องมือไฟฟ้าปิดสวิทช์อยู่เท่านั้น! มิฉะนั้นเครื่องมือไฟฟ้าอาจชำรุดได้

หมายเหตุ: หากท่านกลับสวิทช์ไปที่โหมดทำงานอื่นในขณะที่สวิทช์เปิด-ปิดล็อกอยู่ เครื่องมือไฟฟ้าจะปิดสวิทช์

- ▶  ตำแหน่งที่เชื่อมต่อไปยังการเจาะตอก หากดอกสว่านไม่หมุนในทันที ให้เครื่องมือไฟฟ้าทำงานอย่างช้าๆ จนกว่าดอกสว่านจะหมุน

- ▶  ตำแหน่ง Vario-Lock สำหรับปรับตำแหน่งสลัก



- ▶  ตำแหน่งสำหรับ การสกัด

การเปิด-ปิดเครื่อง

- ปลดปุ่มล็อก (7) สำหรับสวิทช์เปิด-ปิด หากจำเป็น
- เมื่อต้องการเปิดสวิทช์เครื่องมือไฟฟ้าให้กดสวิทช์เปิด-ปิด (9)

ไฟส่องบริเวณทำงาน (11) จะส่องสว่างเมื่อกดสวิทช์เปิด-ปิด (9) เบาๆ หรือเต็มที่ และช่วยเพิ่มความสว่างในบริเวณทำงานภายใต้สภาพแสงที่ไม่เอื้ออำนวย

- เมื่อต้องการปิดสวิทช์เครื่องมือไฟฟ้าให้ปล่อยนิ้วจากสวิทช์เปิด-ปิด (9)

หากเครื่องทำงานภายใต้อุณหภูมิต่ำ เครื่องจะเริ่มตอก/กระแทกเต็มที่หลังจากเปิดเครื่องทำงานระยะหนึ่งแล้วเท่านั้น

การตั้งอัตราความเร็ว/อัตราการแทรก

ท่านสามารถปรับอัตราความเร็ว/อัตราการแทรกของเครื่องมือไฟฟ้าที่เปิดสวิทช์ทำงานได้อย่างต่อเนื่อง ทั้งนี้ขึ้นอยู่กับแรงที่กดลงบนสวิทช์เปิด-ปิด (9)

กดสวิทช์เปิด-ปิด (9) เบาๆ ได้้อัตราความเร็ว/อัตราการแทรกต่ำ กดสวิทช์แรงยิ่งขึ้นจะได้้อัตราความเร็ว/อัตราการแทรกเพิ่มขึ้น

ท่านสามารถควบคุมอัตราความเร็วได้ที่ อินเทอร์เน็ตผู้ใช้ หรือผ่าน App บนสมาร์โฟน

การเปลี่ยนตำแหน่งสกัด (Vario-Lock)

ท่านสามารถล็อกดอกสกัดได้ 16 ตำแหน่ง ในลักษณะนี้ท่านสามารถตั้งทำงานได้เหมาะสมที่สุดสำหรับแต่ละรูปแบบการทำงาน

- ไล้ดอกสกัดเข้าไปตามจับเครื่องมือ
- หมุนสวิทช์หยุดการหมุน (5) ไปที่ตำแหน่ง "Vario-Lock"
- หมุนเครื่องมือไปยังตำแหน่งการสกัดที่ต้องการ
- หมุนสวิทช์หยุดการหมุน (5) ไปที่ตำแหน่ง "การสกัด" ด้วยวิธีนี้ตามจับเครื่องมือจะถูกล็อกไว้

การสกัดด้วยฟังก์ชันล็อก

เมื่อต้องการสกัดเป็นเวลานานโดยไม่ต้องกดสวิทช์เปิด-ปิด (9) อย่างต่อเนื่องให้ล็อกสวิทช์เปิด-ปิดในโหมดทำงาน "การสกัด"

- เมื่อต้องการล็อกให้กดสวิทช์เปิด-ปิด (9) ไปจนสุดและในขณะเดียวกันให้กดปุ่มล็อก (7)

- เมื่อต้องการปิดสวิตช์ให้กดปุ่มล็อค (7) อีกครั้ง

อินเตอร์เฟซผู้ใช้ (ดูภาพประกอบ F)

อินเตอร์เฟซผู้ใช้ (14) ใช้สำหรับเลือกโหมดงานและสำหรับแสดงสถานะของเครื่องมือไฟฟ้า

ไฟแสดงสถานะ

ไฟแสดงสถานะเครื่องมือไฟฟ้า (20)	ความหมาย/สาเหตุ	วิธีแก้ปัญหา
สีเขียว	สถานะ OK	-
สีแดง	อุณหภูมิถึงขั้นวิกฤติหรือแบตเตอรี่ใกล้หมด	ให้เครื่องมือไฟฟ้าวิ่งตัวเปล่าและปล่อยให้เย็นลง หรือเปลี่ยนหรือชาร์จแบตเตอรี่ใหม่ซ้ำ
สีแดง	เครื่องมือไฟฟ้าร้อนเกินไปหรือแบตเตอรี่หมดประจุ	ปล่อยให้เครื่องมือไฟฟ้าเย็นลง หรือเปลี่ยนหรือชาร์จแบตเตอรี่
สีแดง	ปุ่มล็อคถูกกดในโหมดทำงาน "การเจาะตอก" กดสวิตช์หยุดการหมุนในระหว่างดำเนินการ มอเตอร์ติดขัด, แบตเตอรี่อ่อนเกินไป ความผิดพลาดทั่วไป	กดปุ่มล็อคอีกครั้ง ปิดสวิตช์เครื่องมือไฟฟ้าและเปิดสวิตช์อีกครั้ง ชาร์จแบตเตอรี่หรือใช้แบตเตอรี่ชนิดที่แนะนำ - ปิดสวิตช์เครื่องมือไฟฟ้าและเปิดสวิตช์อีกครั้ง หรือถอดแบตเตอรี่ออกแล้วใส่กลับเข้าไปใหม่อีกครั้ง หากยังคงเปิดปัญหาอยู่: - ส่งเครื่องมือไฟฟ้าไปยังฝ่ายบริการลูกค้า
กะพริบสีแดง - ใช้ร่วมกับไฟแสดงการปิดระบบอย่างรวดเร็ว (17)	การปิดระบบอย่างรวดเร็วถูกเรียกใช้งาน	ปิดสวิตช์เครื่องมือไฟฟ้าและเปิดสวิตช์อีกครั้ง
กะพริบสีฟ้า	เครื่องมือไฟฟ้าสร้างการเชื่อมต่อกับอุปกรณ์เคลื่อนที่ปลายทางหรือกำลังถ่ายโอนการตั้งค่า	-

ไฟแสดงสถานะการชาร์จแบตเตอรี่ (user interface) (16)	ความหมาย/สาเหตุ	วิธีแก้ปัญหา
สีเขียว (2 ถึง 5 แถบ)	ชาร์จแบตเตอรี่แล้ว	-
สีแดง (1 แถบ)	แบตเตอรี่ใกล้หมด	เปลี่ยนหรือชาร์จแบตเตอรี่ใหม่ซ้ำ
สีแดง (1 แถบ)	แบตเตอรี่หมดประจุ	เปลี่ยนหรือชาร์จแบตเตอรี่

ไอคอนสมาร์ทโฟน (21)	ความหมาย/สาเหตุ
-	หากมีการเชื่อมต่ออุปกรณ์ปลายทางแบบเคลื่อนที่ อาจมีข้อมูลเพิ่มเติมผ่านทางเทคโนโลยีวิทยุ Bluetooth®

ไฟแสดงอุณหภูมิ (22)	ความหมาย/สาเหตุ	วิธีแก้ปัญหา
สีแดง	หากอุณหภูมิในการทำงานของแบตเตอรี่หรือเครื่องมือไฟฟ้าเพิ่มขึ้นอย่างมาก ประสิทธิภาพจะลดลง	ปล่อยให้เครื่องมือไฟฟ้าเย็นลงหรือเปลี่ยนแบตเตอรี่แพ็คที่ร้อนเกินไป

ไฟแสดงอุณหภูมิ (22)	ความหมาย/สาเหตุ	วิธีแก้ปัญหา
สีแดง	หากอุณหภูมิในการทำงานของแบตเตอรี่หรือเครื่องมือไฟฟ้าสูงเกิน เครื่องมือไฟฟ้าจะปิดเพื่อป้องกัน	ปล่อยให้เครื่องมือไฟฟ้าเย็นลงหรือเปลี่ยนแบตเตอรี่แพ็คที่ร้อนเกิน

การเลือกโหมดงาน

กดปุ่ม (19) ซ้ำๆ เพื่อเลือกโหมดงานจนโหมดงานที่ต้องการส่องสว่างขึ้น

หมายเหตุ: ในโหมดงาน **Auto** และ **Soft** ฟังก์ชันจะถูกตั้งไว้ล่วงหน้า ในโหมดงาน **Favorite** เครื่องมือไฟฟ้าสามารถกำหนดค่าล่วงหน้าผ่านแอปบนสมาร์ตโฟนได้

ไฟแสดงโหมดงาน (18)	ฟังก์ชัน
Auto ส่องสว่าง	<p>โหมดการทำงาน Auto: เร็วขึ้น ความคมได้มากขึ้นจนถึงกำลังสูงสุด</p> <ul style="list-style-type: none"> โหมดการทำงาน "การเจาะตอก" (ระบบสตาร์ทแบบนุ่มนวล Electronic Precision Control): ควบคุมการวิ่งขึ้นอย่างรวดเร็วจนถึงกำลังสูงสุด การปิดระบบอย่างรวดเร็ว (KickBack Control) ทำงานอยู่ โหมดการทำงาน "สลัก" (Adaptive Speed Control สตาร์ทแบบนุ่มนวล): ควบคุมการวิ่งขึ้นอย่างรวดเร็วจนถึงกำลังสูงสุด
Favorite ส่องสว่าง	<p>โหมดการทำงาน Favorite: การกำหนดค่าส่วนบุคคลผ่านแอปสมาร์ตโฟน (เฉพาะ 3 611 J17 0.. หากมีการเชื่อมต่อกับโมดูล Bluetooth® Low Energy Module GCY 42)</p> <p>การตั้งค่าต่อไปนี้ได้รับการกำหนดค่าไว้ล่วงหน้า:</p> <ul style="list-style-type: none"> โหมดการทำงาน "การเจาะตอก" (ระบบสตาร์ทแบบนุ่มนวล Electronic Precision Control): ควบคุมการวิ่งขึ้นจนถึงกำลังปานกลางที่ลดลง การปิดระบบอย่างรวดเร็ว (KickBack Control) ทำงานอยู่ โหมดการทำงาน "สลัก" (Adaptive Speed Control สตาร์ทแบบนุ่มนวล): วิ่งขึ้นอย่างรวดเร็วจนถึงกำลังสูงสุด
Soft ส่องสว่าง	<p>โหมดการทำงาน Soft: ลดพลังงานสำหรับการประมวลผลวัสดุที่ละเอียดอ่อน</p> <ul style="list-style-type: none"> โหมดการทำงาน "การเจาะตอก" (ระบบสตาร์ทแบบนุ่มนวล Electronic Precision Control): การวิ่งขึ้นช้าที่ควบคุมอย่างเข้มงวดจนถึงพลังงานที่ลดลงและกำลังต่ำ การปิดระบบอย่างรวดเร็ว (KickBack Control) ทำงานอยู่ โหมดการทำงาน "สลัก" (Adaptive Speed Control สตาร์ทแบบนุ่มนวล): วิ่งขึ้นช้าและควบคุมอย่างเข้มงวดจนกระทั่งกำลังลดลง

ฟังก์ชันการเชื่อมต่อ

เมื่อใช้ร่วมกับ Bluetooth® Low Energy Module GCY 42 จะมีฟังก์ชันการเชื่อมต่อต่อไปนี้สำหรับเครื่องมือไฟฟ้า:

- การลงทะเบียนและตั้งค่าส่วนบุคคล
- การตรวจสอบสถานะและการส่งออกข้อความแจ้งเตือน
- ข้อมูลทั่วไปและการตั้งค่า
- การจัดการ

สำหรับข้อมูลเพิ่มเติมเกี่ยวกับโมดูล Bluetooth® Low Energy Module GCY 42 กรุณาอ่านหนังสือคู่มือการใช้งานที่เกี่ยวข้อง

ข้อแนะนำในการทำงาน

- ▶ เครื่องมือไฟฟ้าที่มี Bluetooth® Low Energy Module GCY 42 ใส่อยู่จะมีส่วนต่อประสานทาง

คลื่นวิทยุ ต้องปฏิบัติตามข้อจำกัดในการใช้งานในท้องถิ่น ต. ย. เช่น ในเครื่องบิน หรือโรงพยาบาล

- ▶ ในบริเวณที่ไม่อนุญาตให้ใช้เทคโนโลยีไร้สาย Bluetooth® ต้องถอด Bluetooth® Low Energy Module GCY 42 และถ่านกระดุมออก

หมายเหตุ: สามารถปิดฝาครอบ (15) ได้แน่น เมื่อโมดูล Bluetooth® Low Energy Module GCY 42 และเซลล์ปุ่มอยู่ในเครื่องมือไฟฟ้าเท่านั้น

- ในการ **ปิดใช้งาน** โมดูล Bluetooth® Low Energy Module GCY 42 ให้หมุนเซลล์ปุ่มหรือใส่ฉนวนระหว่างเซลล์ปุ่มและโมดูล Bluetooth® Low Energy Module GCY 42
- ปิดฝาครอบ (15) เพื่อป้องกันสิ่งสกปรก

ผลลัพธ์ดีการทำงานเกินกำลัง

- ▶ หากเครื่องมือที่ใส่อยู่เกิดขัดหรือติดแน่น แรงขับไปยังเพลาสถานจะสะดุดหยุด เนื่องจากแรงบิดที่เกิดขึ้นต้องถือเครื่องมือไฟฟ้าให้แน่นด้วยมือทั้งสองข้างและหาที่ยืนที่มั่นคงเสมอ
- ▶ หากเครื่องมือไฟฟ้าติดขัด ให้ปิดสวิตช์เครื่องและปลดเครื่องมือที่ใส่อยู่ออก หากเปิดสวิตช์โดยที่เครื่องมือเกาะติดขัดอยู่ อาจเกิดแรงปฏิกิริยาบิดสูง

การบิดระบอบอย่างรวดเร็ว (Kickback Control)



การบิดระบอบอย่างรวดเร็ว (KickBack Control) ช่วยให้สามารถควบคุมเครื่องมือไฟฟ้าได้ดียิ่งขึ้นและปกป้องผู้ใช้งานยิ่งขึ้นเมื่อเทียบกับเครื่องมือไฟฟ้าที่ไม่มี KickBack Control เมื่อเครื่องมือไฟฟ้าหมุนรอบแกนส่วนอย่างฉับพลันและไม่คาดคิด เครื่องมือไฟฟ้าจะปิดสวิตช์ไฟ แสดงการบิดเครื่องอย่างรวดเร็ว (17) จะสว่างเป็นสีแดง และไฟแสดงการทำงาน (11) จะกะพริบ เมื่อการบิดระบอบอย่างรวดเร็วเปิดใช้งาน ไฟแสดงสถานะ (20) จะกะพริบสีแดง

- เมื่อต้องการเริ่มต้นทำงานอีกครั้ง ให้ปล่อยนิ้วจากสวิตช์เปิด-ปิด (9) และกดสวิตช์อีกครั้ง

Electronic Precision Control (EPC)

EPC ช่วยคุณในการเจาะและการทำงานด้วยแรงกระแทกสำหรับวัสดุละเอียดอ่อนโดยเพิ่มความเร็วในการทำงานเพื่อการดำเนินงานที่แม่นยำ

ระบบควบคุมความเร็วด้วยไฟฟ้า (Adaptive Speed Control) ในโหมดทำงาน "การสกัด"



เครื่องมือไฟฟ้าจะสตาร์ทด้วยความเร็วต่ำ จากนั้นจะเพิ่มความเร็วขึ้นอย่างรวดเร็ว จนถึงความเร็วที่กำหนดไว้ ซึ่งจะช่วยให้คุณควบคุมได้ดียิ่งขึ้นและเริ่มทำงานได้อย่างแม่นยำ

ระบบควบคุมความเร็วด้วยไฟฟ้าจะถูกเรียกใช้งานโดยอัตโนมัติเมื่อเครื่องมือไฟฟ้าเริ่มทำงาน

ตัวหน่วงการสั่นสะเทือน



ตัวหน่วงการสั่นสะเทือนเม็ดเสิร์จช่วยลดการสั่นสะเทือนที่เกิดขึ้น

- ▶ หากองค์ประกอบตัวหน่วงการสั่นสะเทือนชำรุด อย่าใช้เครื่องมือไฟฟ้าทำงานต่อไป

การบำรุงรักษาและการบริการ

การบำรุงรักษาและการทำความสะอาด

- ▶ ถอดแบตเตอรี่ออกจากเครื่องมือไฟฟ้าก่อนทำการปรับแต่งใดๆ ที่เครื่องมือไฟฟ้า (ค. ย. เช่น บำรุงรักษา เปลี่ยนเครื่องมือ ฯลฯ) รวมทั้งเมื่อขนย้ายและเก็บรักษา อันตรายจากการบาดเจ็บหากสวิตช์เปิด-ปิดติดขึ้นอย่างไม่ตั้งใจ
- ▶ เพื่อให้ทำงานได้อย่างถูกต้องและปลอดภัย ต้องรักษาเครื่องและช่องระบายอากาศ ให้สะอาดอยู่เสมอ
- ▶ ต้องเปลี่ยนฝาครอบกันฝุ่นที่ชำรุดโดยทันที เราขอแนะนำว่าควรส่งให้ศูนย์บริการหลังการขายเปลี่ยนให้
- ทำความสะอาดตามจับเครื่องมือ (2) ทุกครั้งหลังใช้งาน

การบริการหลังการขายและการให้คำปรึกษาการใช้งาน

ศูนย์บริการหลังการขายของเรายินดีตอบคำถามของท่านที่เกี่ยวกับการบำรุงรักษาและการซ่อมแซมผลิตภัณฑ์รวมทั้งเรื่องอะไหล่ ภาพเขียนแบบการประกอบและข้อมูลเกี่ยวกับอะไหล่ กรุณาดูใน: www.bosch-pt.com ที่งานที่ปรึกษาของ บอช ยินดีให้ข้อมูลเกี่ยวกับผลิตภัณฑ์ของเราและอุปกรณ์ประกอบต่างๆ

เมื่อต้องการสอบถามและสั่งซื้ออะไหล่ กรุณาแจ้งหมายเลขสินค้า 10 หลักบนแผ่นป้ายรุ่นของผลิตภัณฑ์ทุกครั้ง

ไทย

ไทย บริษัท โรเบิร์ต บอช จำกัด
 เอฟวายไอ เซ็นเตอร์ อาคาร 1 ชั้น 5
 เลขที่ 2525 ถนนพระราม 4
 แขวงคลองเตย เขตคลองเตย กรุงเทพฯ 10110
 โทร: +66 2012 8888
 แฟกซ์: +66 2064 5800
www.bosch.co.th

ศูนย์บริการซ่อมและฝึกอบรม บอช
 อาคาร ลานชาลาทาวเวอร์ ชั้น G ห้องเลขที่ 2
 บ้านเลขที่ 10/11 หมู่ 16
 ถนนศรีนครินทร์ ตำบลบางแก้ว อำเภอบางพลี
 จังหวัดสมุทรปราการ 10540
 ประเทศไทย
 โทรศัพท์ 02 7587555
 โทรสาร 02 7587525

สามารถดูที่อยู่ศูนย์บริการอื่นๆ ได้ที่:

www.bosch-pt.com/serviceaddresses

การขนส่ง

แบตเตอรี่ลิเธียมไอออนที่แนะนำให้ใช้ อยู่ภายใต้ข้อกำหนดแห่งกฎหมายสินค้าอันตราย ผู้ใช้สามารถขนส่งแบตเตอรี่แพ็คโดยทางถนนโดยไม่มีข้อบังคับอื่นหากขนส่งโดยบุคคลที่สาม (เช่น : การขนส่งทางอากาศ หรือตัวแทนขนส่งสินค้า) ต้องปฏิบัติตามข้อกำหนดพิเศษเกี่ยวกับการบรรจุภัณฑ์และการติดฉลาก สำหรับการจัดเตรียมสิ่งของที่จัดส่ง จำเป็นต้องปรึกษาผู้เชี่ยวชาญด้านวัตถุอันตรายส่งแบตเตอรี่แพ็คเมื่อตัวหุ้มไม่ชำรุดเสียหายเท่านั้น ใช้แถบกาวพันปิดหน้าสัมผัสที่เปิดอยู่ และนำแบตเตอรี่แพ็คใส่กล่องบรรจุโดยไม่ให้เคลื่อนไปมาในกล่องได้ นอกจากนี้ กรุณาปฏิบัติตามกฎระเบียบของประเทศซึ่งอาจมีรายละเอียดเพิ่มเติม

การกำจัดขยะ



เครื่องมือไฟฟ้า แบตเตอรี่แพ็ค อุปกรณ์ประกอบ และที่บด ทดองนำ

ไปแยกประเภทวัสดุเพื่อนำกลับมาใช้ใหม่โดยไม่ทำลายสภาพแวดล้อม



อย่าทิ้งเครื่องมือไฟฟ้าและแบตเตอรี่แพ็ค/แบตเตอรี่ที่นำกลับมาชาร์จใหม่ได้ ลงในขยะบ้าน!

แบตเตอรี่แพ็ค/แบตเตอรี่:

ลิเธียม ไอออน:

กรุณาปฏิบัติตามคำแนะนำในบทการขนส่ง (ดู "การขนส่ง", หน้า 79)

(menggunakan kabel) atau perkakas listrik yang dioperasikan dengan baterai (tanpa kabel).

Keamanan tempat kerja

- ▶ **Jaga kebersihan dan pencahayaan area kerja.** Area yang berantakan atau gelap dapat memicu kecelakaan.
- ▶ **Jangan mengoperasikan perkakas listrik di lingkungan yang dapat memicu ledakan, seperti adanya cairan, gas, atau debu yang mudah terbakar.** Perkakas listrik dapat memancarkan bunga api yang kemudian mengakibatkan debu atau uap terbakar.
- ▶ **Jauhkan dari jangkauan anak-anak dan pengamat saat mengoperasikan perkakas listrik.** Gangguan dapat menyebabkan hilangnya kendali.

Keamanan listrik

- ▶ **Steker perkakas listrik harus sesuai dengan stopkontak. Jangan pernah memodifikasi steker. Jangan menggunakan steker adaptor bersama dengan perkakas listrik yang terhubung dengan sistem grounding.** Steker yang tidak dimodifikasi dan stopkontak yang cocok akan mengurangi risiko sengatan listrik.
- ▶ **Hindari kontak badan dengan permukaan yang terhubung dengan sistem grounding, seperti pipa, radiator, kompor, dan lemari es.** Terdapat peningkatan risiko terjadinya sengatan listrik jika badan Anda terhubung dengan sistem grounding.
- ▶ **Perkakas listrik tidak boleh terpapar hujan atau basah.** Air yang masuk ke dalam perkakas listrik menambah risiko terjadinya sengatan listrik.
- ▶ **Jangan menyalahgunakan kabel. Jangan gunakan kabel untuk membawa, menarik, atau melepas steker perkakas listrik. Jauhkan kabel dari panas, minyak, tepi yang tajam, atau komponen yang bergerak.** Kabel listrik yang rusak atau tersangkut menambah risiko terjadinya sengatan listrik.
- ▶ **Saat mengoperasikan perkakas listrik di luar ruangan, gunakan kabel ekstensi yang sesuai untuk penggunaan di luar ruangan.** Penggunaan kabel yang cocok untuk pemakaian di luar ruangan mengurangi risiko terjadinya sengatan listrik.
- ▶ **Jika perkakas listrik memang harus dioperasikan di tempat yang lembap, gunakan pemutus arus listrik residu (RCD).** Penggunaan RCD akan mengurangi risiko terjadinya sengatan listrik.

Keselamatan personel

- ▶ **Tetap waspada, perhatikan aktivitas yang sedang dikerjakan dan gunakan akal sehat saat mengoperasikan perkakas listrik. Jangan gunakan perkakas listrik saat mengalami kelelahan atau di bawah pengaruh narkoba, alkohol, atau obat-obatan.** Jika perkakas listrik dioperasikan dengan daya konsentrasi yang rendah, hal tersebut dapat menyebabkan cedera serius.
- ▶ **Gunakan peralatan pelindung diri. Selalu kenakan pelindung mata.** Penggunaan perlengkapan pelindung

Bahasa Indonesia

Petunjuk Keselamatan

Petunjuk keselamatan umum untuk perkakas listrik

⚠ PERINGATAN Baca semua peringatan, petunjuk, ilustrasi, dan spesifikasi

keselamatan yang diberikan bersama perkakas listrik ini. Kesalahan dalam menjalankan petunjuk di bawah ini dapat mengakibatkan sengatan listrik, kebakaran, dan/atau cedera serius.

Simpanlah semua peringatan dan petunjuk untuk penggunaan di masa mendatang.

Istilah "perkakas listrik" dalam peringatan mengacu pada perkakas listrik yang dioperasikan dengan listrik

seperti penutup telinga, helm, sepatu anti licin, dan masker debu akan mengurangi cedera.

- ▶ **Hindari start yang tidak disengaja. Pastikan switch berada di posisi off sebelum perkakas listrik dihubungkan ke sumber daya listrik dan/atau baterai, diangkat, atau dibawa.** Membawa perkakas listrik dengan jari menempel pada tombol atau perkakas listrik dalam keadaan hidup dapat memicu kecelakaan.
- ▶ **Singkirkan kunci penyetel atau kunci pas sebelum menghidupkan perkakas listrik.** Perkakas atau kunci pas yang masih menempel pada komponen perkakas listrik yang berputar dapat menyebabkan cedera.
- ▶ **Jangan melampaui batas. Berdirilah secara mantap dan selalu jaga keseimbangan.** Hal ini akan memberikan kontrol yang lebih baik terhadap perkakas listrik pada situasi yang tak terduga.
- ▶ **Kenakan pakaian dengan wajar. Jangan mengenakan perhiasan atau pakaian yang longgar. Jauhkan rambut dan pakaian dari komponen yang bergerak.** Pakaian yang longgar, rambut panjang, atau perhiasan dapat tersangkut dalam komponen yang bergerak.
- ▶ **Jika disediakan perangkat untuk sambungan pengisapan debu dan alat pengumpulan, pastikan perangkat tersebut terhubung dan digunakan dengan benar.** Penggunaan alat pengumpulan dapat mengurangi bahaya yang disebabkan oleh debu.
- ▶ **Jangan berpuas diri dan mengabaikan prinsip keselamatan karena terbiasa mengoperasikan perkakas.** Tindakan yang kurang hati-hati dapat mengakibatkan cedera serius dalam waktu sepersekian detik.

Penggunaan dan pemeliharaan perkakas listrik

- ▶ **Jangan memaksakan perkakas listrik. Gunakan perkakas listrik yang sesuai untuk pekerjaan yang dilakukan.** Perkakas listrik yang sesuai akan bekerja dengan lebih baik dan aman sesuai tujuan penggunaan.
- ▶ **Jangan gunakan perkakas listrik dengan switch yang tidak dapat dioperasikan.** Perkakas listrik yang switchnya yang tidak berfungsi dapat menimbulkan bahaya dan harus diperbaiki.
- ▶ **Lepaskan steker dari sumber listrik dan/atau lepas baterai, jika dapat dilepaskan dari perkakas listrik sebelum menyetel, mengganti aksesoris, atau menyimpan perkakas listrik.** Tindakan preventif akan mengurangi risiko menghidupkan perkakas listrik secara tidak disengaja.
- ▶ **Jauhkan dan simpan perkakas listrik dari jangkauan anak-anak dan jangan biarkan orang-orang yang tidak mengetahui cara menggunakan perkakas listrik, mengoperasikan perkakas listrik.** Perkakas listrik dapat membahayakan jika digunakan oleh orang-orang yang tidak terlatih.
- ▶ **Lakukan pemeliharaan perkakas listrik dan aksesoris. Periksa komponen yang bergerak apabila tidak lurus atau terikat, kerusakan komponen, dan kondisi lain yang dapat mengganggu pengoperasian perkakas**

listrik. Apabila rusak, perbaiki perkakas listrik sebelum digunakan. Kecelakaan sering terjadi karena perkakas listrik tidak dirawat dengan baik.

- ▶ **Jaga ketajaman dan kebersihan alat.** Alat pemotong dengan pisau pemotong yang tajam dan dirawat dengan baik tidak akan mudah tersangkut dan lebih mudah dikendalikan.
- ▶ **Gunakan perkakas listrik, aksesoris, dan komponen perkakas dll sesuai dengan petunjuk ini, dengan mempertimbangkan kondisi kerja dan pekerjaan yang akan dilakukan.** Penggunaan perkakas listrik untuk tujuan berbeda dari fungsinya dapat menyebabkan situasi yang berbahaya.
- ▶ **Jaga gagang dan permukaan genggam agar tetap kering, bersih, dan bebas dari minyak dan lemak.** Gagang dan permukaan genggam yang licin tidak menjamin keamanan kerja dan kontrol alat yang baik pada situasi yang tidak terduga.

Penggunaan dan pemeliharaan perkakas baterai

- ▶ **Isi ulang daya hanya dengan pengisi daya yang ditentukan oleh produsen.** Pengisi daya yang sesuai untuk satu jenis set baterai dapat menyebabkan risiko kebakaran apabila digunakan dengan set baterai lain.
- ▶ **Hanya gunakan perkakas listrik dengan set baterai yang dirancang khusus.** Penggunaan set baterai lain dapat menyebabkan risiko cedera dan kebakaran.
- ▶ **Apabila set baterai tidak digunakan, jauhkan dari benda logam lainnya, seperti klip kertas, koin, kunci, paku, sekrup, atau benda logam kecil lainnya yang dapat membuat sambungan dari satu terminal ke terminal lainnya.** Memendekkan terminal baterai dapat menyebabkan kebakaran atau api.
- ▶ **Cairan dapat keluar dari baterai jika baterai tidak digunakan dengan benar; hindari kontak. Jika terjadi kontak secara tidak disengaja, bilas dengan air. Jika cairan mengenai mata, segera hubungi bantuan medis.** Cairan yang keluar dari baterai dapat menyebabkan iritasi atau luka bakar.
- ▶ **Jangan gunakan set baterai atau perkakas yang rusak atau telah dimodifikasi.** Baterai yang rusak atau telah dimodifikasi dapat menimbulkan kejadian yang tak terduga seperti kebakaran, ledakan, atau risiko cedera.
- ▶ **Jangan meletakkan set baterai atau perkakas di dekat api atau suhu tinggi.** Paparan terhadap api atau suhu di atas 130 °C dapat memicu ledakan.
- ▶ **Ikuti semua petunjuk pengisian daya dan jangan mengisi daya set baterai atau perkakas di luar rentang suhu yang ditentukan dalam petunjuk.** Pengisian daya yang tidak tepat atau di luar rentang suhu yang ditentukan dapat merusak baterai dan meningkatkan risiko kebakaran.

Servis

- ▶ **Minta teknisi berkualifikasi untuk menyervis perkakas listrik dengan hanya menggunakan suku cadang yang identik.** Dengan demikian, hal ini akan memastikan keamanan perkakas listrik.

- ▶ **Jangan pernah melakukan servis pada baterai yang telah rusak.** Servis baterai hanya boleh dilakukan oleh produsen atau penyedia servis resmi.

Petunjuk keselamatan untuk hammer

Petunjuk keselamatan untuk semua pengoperasian

- ▶ **Kenakan sumbat telinga.** Suara bising alat dapat menyebabkan berkurangnya pendengaran.
- ▶ **Gunakan handle tambahan, jika tersedia.** Kehilangan kendali dapat menyebabkan cedera.
- ▶ **Pegang perkakas listrik pada permukaan gagang isolator saat digunakan, karena aksesoris pemotong dapat saja bersentuhan dengan kabel yang tidak terlihat.** Aksesoris pemotong yang bersentuhan dengan kabel yang dialiri listrik dapat menyebabkan bagian logam perkakas listrik yang terbuka dialiri listrik sehingga berisiko mengakibatkan sengatan listrik pada operator.

Petunjuk keselamatan saat menggunakan mata bor panjang dengan rotary hammer

- ▶ **Selalu hidupkan alat bor pada kecepatan rendah dengan ujung mata bor menyentuh benda kerja.** Pada kecepatan yang tinggi, mata bor akan membengkok jika berputar secara bebas tanpa menyentuh benda kerja dan dapat menyebabkan cedera terhadap pengguna.
- ▶ **Tekan hanya pada garis langsung dengan mata bor dan jangan tekan secara berlebihan.** Mata bor dapat membengkok dan menyebabkan kerusakan atau hilang kendali sehingga menyebabkan cedera terhadap pengguna.

Petunjuk keselamatan tambahan

- ▶ **Gunakanlah alat detektor logam yang cocok untuk mencari kabel dan pipa yang tidak terlihat atau hubungi perusahaan pengadaan setempat.** Sentuhan dengan kabel-kabel listrik dapat mengakibatkan api dan kontak listrik. Pipa gas yang dirusak dapat mengakibatkan ledakan. Pipa air yang dirusak mengakibatkan barang-barang menjadi rusak.
- ▶ **Sebelum meletakkan perkakas listrik, tunggulah hingga perkakas berhenti berputar.** Alat kerja dapat tersangkut dan menyebabkan perkakas listrik tidak dapat dikendalikan.
- ▶ **Gunakan alat kerja dengan aman.** Benda yang ditahan dalam alat pemegang atau bais lebih aman daripada benda yang dipegang dengan tangan.
- ▶ **Asap dapat keluar apabila terjadi kerusakan atau penggunaan yang tidak tepat pada baterai. Baterai dapat terbakar atau meledak.** Biarkan udara segar mengalir masuk dan kunjungi dokter apabila mengalami gangguan kesehatan. Asap tersebut dapat mengganggu saluran pernafasan.
- ▶ **Jangan membuka baterai.** Ada bahaya terjadinya korsleting.
- ▶ **Baterai dapat rusak akibat benda-benda lancip, seperti jarum, obeng, atau tekanan keras dari luar.** Hal ini dapat menyebabkan terjading hubungan singkat

internal dan baterai dapat terbakar, berasap, meledak, atau mengalami panas berlebih.

- ▶ **Hanya gunakan baterai pada produk yang dibuat oleh produsen.** Hanya dengan cara ini, baterai dapat terlindungi dari kelebihan muatan.



Lindungi baterai dari panas, misalnya juga dari paparan sinar matahari dalam waktu yang lama, api, kotoran, air dan kelembapan. Terdapat risiko ledakan dan korsleting.

- ▶ **Jangan menyentuh alat sisipan atau bagian housing yang berdekatan sesaat setelah pengoperasian.** Alat sisipan atau housing tersebut dapat menjadi sangat panas selama pengoperasian sehingga menyebabkan luka bakar.
- ▶ **Alat sisipan dapat terhenti saat pengeboran. Pegang erat perkakas listrik dengan kedua tangan dan pastikan Anda berdiri di posisi yang aman.** Jika tidak, Anda dapat kehilangan kendali atas perkakas listrik.
- ▶ **Berhati-hatilah saat menghancurkan suatu objek dengan pahat.** Serpihan-serpihan yang jatuh dari material yang dihancurkan dapat mencederaikan Anda atau orang di sekitar Anda.
- ▶ **Pegang erat perkakas listrik dengan kedua tangan selama mengoperasikannya dan pastikan Anda berdiri di posisi aman.** Gunakan perkakas listrik dengan kedua tangan secara hati-hati.
- ▶ **Waspada! Ketika menggunakan perkakas listrik dengan Bluetooth[®], gangguan dapat muncul pada perangkat dan instalasi lain, pesawat terbang, dan perangkat medis (misalnya alat pacu jantung, alat bantu dengar).** Selain itu, cedera pada manusia dan binatang di area sekitar tidak dapat seluruhnya dihindari. **Jangan menggunakan alat pengukur dengan Bluetooth[®] di dekat perangkat medis, pusat pengisian bahan bakar, instalasi kimia, area dengan bahaya ledakan, dan percikan api. Jangan menggunakan perkakas listrik dengan Bluetooth[®] di dalam pesawat terbang. Hindari pengoperasian di dekat kepala secara langsung dalam waktu yang lama.**

Istilah merek Bluetooth[®] serta gambar simbol (logo) merupakan merek dagang terdaftar dan kepemilikan dari Bluetooth SIG, Inc. Setiap penggunaan istilah merek/gambar simbol ini berada di bawah lisensi Robert Bosch Power Tools GmbH.

Simbol-simbol

Simbol-simbol berikut dapat membantu Anda dalam menggunakan perkakas listrik. Pelajari dan ingat simbol-simbol berikut beserta maknanya. Pengertian yang betul dari simbol-simbol ini bisa membantu Anda untuk menggunakan perkakas listrik dengan lebih baik dan aman.

Simbol dan artinya

Tarik selubung pengunci ke belakang untuk mengganti alat sisipan.

**Spesifikasi produk dan performa**

Bacalah semua petunjuk keselamatan dan petunjuk penggunaan. Kesalahan dalam menjalankan petunjuk keselamatan dan petunjuk penggunaan dapat mengakibatkan kontak listrik, kebakaran, dan/atau luka-luka yang berat.

Perhatikan ilustrasi yang terdapat pada sisi sampul panduan pengoperasian.

Tujuan penggunaan

Perkakas listrik ini cocok digunakan untuk mengebor benda keras pada beton, tembok dan bebatuan serta untuk pekerjaan memahat.

Data dan pengaturan perkakas listrik dapat dikirimkan menggunakan modul *Bluetooth*[®] Low Energy **GCY 42** yang terpasang dengan menggunakan teknologi nirkabel *Bluetooth*[®] antara perkakas listrik dan perangkat seluler.

Ilustrasi komponen

Penomoran ilustrasi komponen mengacu pada gambar perkakas listrik pada halaman grafis.

- (1) Chuck bor SDS max

- (2) Dudukan alat kerja SDS max
 (3) Kap pelindung debu
 (4) Selongsong pengunci
 (5) Selektor putar
 (6) Peredaman getaran
 (7) Tombol pengunci untuk tombol on/off
 (8) Gagang (permukaan genggam berisolator)
 (9) Tombol on/off
 (10) Baterai^{a)}
 (11) Lampu kerja
 (12) Gagang tambahan (permukaan genggam berisolator)
 (13) Tombol pelepas baterai^{a)}
 (14) User Interface
 (15) Penutup modul *Bluetooth*[®] Low Energy GCY 42
 (16) Indikator level pengisian daya baterai (User Interface)
 (17) Display penonaktifan cepat (User Interface)
 (18) Indikator mode pengoperasian (User Interface)
 (19) Tombol untuk memilih mode pengoperasian (User Interface)
 (20) Indikator status perkakas listrik (User Interface)
 (21) Simbol smartphone (User Interface)
 (22) Display suhu (User Interface)

a) Aksesori yang digambarkan atau yang dijelaskan tidak termasuk dalam lingkup pengiriman standar. Semua aksesori yang ada dapat ditemukan dalam program aksesori kami.

Data teknis

Bor hammer berdaya baterai		GBH 18V-40 C	GBH 18V-40 C
Nomor model		3 611 J17 0..	3 611 J17 1..
Tegangan nominal	V=	18	18
Tingkat getaran ^{A)}	min ⁻¹	0–3130	0–3130
Daya tiap getaran sesuai dengan EPTA-Procedure 05:2016	J	9,0	9,0
Kecepatan nominal	min ⁻¹	0–360	0–360
Dudukan alat kerja		SDS max	SDS max
Modul <i>Bluetooth</i> [®] Low Energy GCY 42		● ^{B)}	— ^{C)}
Diameter mata bor maks.:			
– Beton	mm	40	40
– Beton (dengan mata bor rongga)	mm	90	90
Berat sesuai dengan EPTA-Procedure 01:2014 ^{D)}	kg	7,4–8,4	7,4–8,4
Panjang	mm	502	502
Tinggi	mm	253	253
Suhu sekitar yang direkomendasikan saat pengisian daya	°C	0 ... +35	0 ... +35

Bor hammer berdaya baterai		GBH 18V-40 C	GBH 18V-40 C
Suhu sekitar yang diizinkan saat pengoperasian ^{E)} dan saat penyimpanan	°C	-20 ... +50	-20 ... +50
Baterai yang kompatibel		GBA 18V... ProCORE18V...	GBA 18V... ProCORE18V...
Baterai yang direkomendasikan untuk performa penuh		ProCORE18V... ≥ 5,5 Ah	ProCORE18V... ≥ 5,5 Ah
Perangkat pengisi daya yang direkomendasikan		GAL 18... GAX 18... GAL 36...	GAL 18... GAX 18... GAL 36...
Pengiriman data			
<i>Bluetooth</i> [®]		<i>Bluetooth</i> [®] 4.2 (Low Energy) ^{F)}	<i>Bluetooth</i> [®] 4.2 (Low Energy) ^{F)}
Jarak sinyal	s	8	8
Jangkauan sinyal maksimal ^{G)}	m	30	30

A) Diukur pada suhu 20–25 °C dengan baterai **GBA 18V 8.0Ah**.

B) dipasang sebelumnya

C) dapat ditambahkan

D) tergantung pada baterai yang digunakan

E) Daya terbatas pada suhu < 0°C dan > 40°C

F) Perangkat seluler harus kompatibel dengan perangkat *Bluetooth*[®] Low Energy (versi 4.2) dan mendukung Generic Access Profile (GAP).

G) Jangkauan sinyal dapat berbeda-beda bergantung pada kondisi di luar serta perangkat penerima yang digunakan. Jangkauan *Bluetooth*[®] dapat sangat melemah jika berada di dalam ruangan tertutup dan melewati penghalang logam (contoh dinding, rak, koper, dll.).

Baterai

Bosch menjual perkakas listrik berdaya baterai bahkan tanpa baterai yang disertakan. Keterangan apakah lingkup pengiriman perkakas listrik termasuk dengan baterai dapat ditemukan di kemasan.

Mengisi daya baterai

► **Hanya gunakan pengisi daya yang tercantum pada data teknis.** Hanya pengisi daya ini yang sesuai dengan baterai li-ion yang digunakan pada perkakas listrik Anda.

Catatan: Baterai lithium-ion dikirim dalam keadaan terisi daya sebagian berdasarkan peraturan transportasi internasional. Untuk menjamin daya penuh dari baterai, isi daya baterai hingga penuh sebelum menggunakannya untuk pertama kali.

Memasang baterai

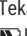
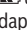
Masukkan baterai yang telah terisi daya ke dalam dudukan baterai hingga baterai terkunci.

Melepas baterai

Untuk melepas baterai, tekan tombol pelepas baterai dan keluarkan baterai. **Jangan melepas baterai dengan paksa.** Baterai memiliki 2 level penguncian untuk mencegah baterai terlepas saat tombol pelepas baterai ditekan secara tidak sengaja. Selama baterai terpasang di dalam perkakas listrik, baterai ditahan posisinya menggunakan pegas.

Indikator level pengisian daya baterai

LED berwarna hijau dari indikator level pengisian daya baterai menampilkan level pengisian daya baterai. Atas dasar keselamatan, permintaan level pengisian daya baterai hanya dapat dilakukan saat perkakas listrik dalam keadaan berhenti.

Tekan tombol indikator level pengisian daya baterai  atau  untuk menampilkan level pengisian baterai. Hal ini juga dapat dilakukan saat baterai dilepas.

Apabila LED tidak menyala setelah menekan tombol indikator level pengisian daya, terdapat kerusakan pada baterai dan baterai harus diganti.

Level pengisian daya baterai juga ditampilkan pada User Interface Display status.

Tipe baterai GBA 18V...



LED	Kapasitas
Lampu permanen hijau 3×	60–100%
Lampu permanen hijau 2×	30–60%
Lampu permanen hijau 1×	5–30%
Lampu berkedip hijau 1×	0–5%

Tipe baterai ProCORE18V...

LED	Kapasitas
Lampu permanen hijau 5×	80–100%
Lampu permanen hijau 4×	60–80%
Lampu permanen hijau 3×	40–60%
Lampu permanen hijau 2×	20–40%
Lampu permanen hijau 1×	5–20%
Lampu berkedip hijau 1×	0–5%

Petunjuk untuk penanganan baterai yang optimal

Lindungilah baterai dari kelembapan dan air.

Simpan baterai hanya pada rentang suhu antara –20 °C hingga 50 °C. Janganlah meletakkan baterai di dalam mobil, misalnya pada musim panas.

Bersihkan lubang ventilasi baterai dengan kuas yang lunak, bersih dan kering secara berkala.

Waktu pengoperasian yang berkurang secara signifikan setelah pengisian daya menunjukkan bahwa baterai telah habis dan perlu diganti.

Perhatikan petunjuk untuk membuang.

Pemasangan

- ▶ **Sebelum melakukan semua pekerjaan pada perkakas listrik (misalnya merawat, mengganti alat kerja, dsb.) serta selama transpor dan penyimpanan, keluarkanlah baterai dari perkakas listrik.** Terdapat risiko cedera apabila tombol untuk menghidupkan dan mematikan dioperasikan tanpa sengaja.
- ▶ **Tekan tombol pengunci untuk mengunci tombol on/off sebelum memulai segala pengerjaan pada perkakas listrik (misalnya perawatan, penggantian alat, dll) serta saat mengangkut dan menyimpan.** Terdapat risiko cedera apabila switch on/off ditekan tanpa sengaja.

Memasang modul Bluetooth® Low Energy GCY 42 (aksesori)

Untuk informasi mengenai modul Bluetooth® Low Energy GCY 42, baca panduan pengoperasian terkait.

Gagang tambahan

- ▶ **Hanya gunakan perkakas listrik dengan gagang tambahan (12).**
- ▶ **Pastikan gagang tambahan selalu terpasang kuat.** Jika tidak, Anda dapat kehilangan kendali atas perkakas listrik saat bekerja.

Memutar gagang tambahan (lihat gambar B)

Gagang tambahan (12) dapat digerakkan ke arah mana pun untuk memungkinkan posisi kerja yang aman dan tidak melelahkan.

- Putar bagian bawah gagang tambahan (12) berlawanan arah jarum jam dan gerakkan gagang tambahan (12) ke posisi yang diinginkan. Setelah itu, putar dan kencangkan kembali bagian bawah gagang tambahan (12) searah jarum jam.
Pastikan tali pengencang gagang tambahan berada dalam alur yang tersedia di housing.

Memilih chuck bor dan perkakas

Untuk mengebor benda keras dan memahat, diperlukan perkakas SDS max yang dipasang ke dalam chuck bor SDS max.

Mengganti perkakas

Tutup pelindung debu (3) mencegah masuknya debu pengeboran ke dalam dudukan alat kerja selama pengoperasian. Saat menggunakan perkakas, pastikan tutup pelindung debu (3) tidak rusak.

- ▶ **Tutup pelindung debu yang rusak harus segera diganti. Disarankan untuk melakukannya di layanan pelanggan Bosch.**

Mengganti perkakas (SDS max)**Memasang alat sisipan (lihat gambar C)**

Dengan dudukan alat kerja SDS max, alat sisipan dapat diganti dengan mudah dan cepat tanpa menggunakan alat bantu.

- Bersihkan ujung alat sisipan dan lumasi dengan sedikit minyak.
- Dorong selubung pengunci (4) ke belakang dan pasang alat sisipan ke dalam dudukan perkakas dengan cara diputar. Lepaskan kembali selubung pengunci (4) untuk mengunci alat sisipan.
- Periksa penguncian dengan menarik alat.

Melepaskan alat sisipan (lihat gambar D)

- Dorong selongsong pengunci (4) ke belakang dan lepaskan alat sisipan.

Pengisapan debu/serbuk

Debu dari bahan-bahan seperti cat yang mengandung timbel (timah hitam), beberapa jenis kayu, bahan mineral dan logam dapat berbahaya bagi kesehatan. Menyentuh atau menghirup debu-debu ini dapat mengakibatkan reaksi alergi dan/atau penyakit saluran pernapasan pada pengguna atau orang yang berada di dekatnya.

Beberapa debu tertentu seperti debu kayu pohon quercus atau pohon fagus silvatica dianggap dapat mengakibatkan penyakit kanker, terutama dalam campuran dengan bahan-bahan tambahan untuk pengolahan kayu (kromat, obat pengawet kayu). Bahan-bahan yang mengandung asbestos hanya boleh dikerjakan oleh orang-orang yang ahli.

- Perhatikanlah supaya ada pertukaran udara yang baik di tempat kerja.
- Kami anjurkan Anda memakai masker anti debu dengan filter kelas P2.

Taatilah peraturan-peraturan untuk bahan-bahan yang dikerjakan yang berlaku di negara Anda.

- **Hindari debu yang banyak terkumpul di tempat kerja.**
Debu dapat tersulut dengan mudah.

Penggunaan

Pengoperasian pertama kali

- Pastikan penutup modul **(15)** Bluetooth® Low Energy GCY 42 ditutup selama pengoperasian. Hal ini menghindari masuknya debu.

Mengatur mode pengoperasian (lihat gambar E)

Mode pengoperasian perkakas listrik dapat dipilih melalui selektor putar **(5)**.

- Putar switch penghenti putaran **(5)** ke posisi yang diinginkan untuk mengubah mode pengoperasian.

Catatan: Hanya ubah mode pengoperasian saat perkakas listrik dimatikan! Jika tidak, perkakas listrik dapat menjadi rusak.

Catatan: Jika mode pengoperasian diubah selama tombol on/off terkunci, perkakas listrik akan mati dengan sendirinya.



Posisi untuk **Pengeboran hammer**

Jika alat sisipan tidak segera berputar, operasikan perkakas listrik dengan perlahan hingga alat sisipan berputar.



Posisi **Vario-Lock** untuk menyesuaikan posisi pahat



Posisi untuk **Pemahatan**

Menyalakan/mematikan

- Jika perlu, lepaskan tombol pengunci **(7)** untuk tombol on/off.

Display status

Display status perkakas listrik (20)	Arti/penyebab	Solusi
Hijau	Status OK	–
Kuning	Suhu kritis tercapai atau baterai hampir kosong	Operasikan perkakas listrik pada posisi idle dan biarkan mendingin atau segera ganti atau isi daya baterai
Merah	Perkakas listrik terlalu panas atau baterai kosong	Biarkan perkakas listrik menjadi dingin atau ganti atau isi daya baterai
Merah	Tombol penguncian ditekan pada mode pengoperasian "Pengeboran hammer"	Tekan kembali tombol penguncian
	Switch penghenti putaran ditekan selama pengoperasian	Matikan dan hidupkan kembali perkakas listrik

- Untuk **menyalakan** perkakas listrik, tekan tombol on/off **(9)**.

Lampu kerja **(11)** akan menyala saat tombol on/off **(9)** ditekan singkat atau ditekan kuat dan lampu kerja membantu menerangi area kerja saat kondisi cahaya minim.

- Untuk **mematikan** perkakas listrik, lepaskan tombol on/off **(9)**.

Pada suhu yang rendah perkakas listrik ini baru setelah lewat beberapa waktu mencapai daya kemampuan hamering/getaran penuh.

Mengatur kecepatan putaran/tingkat getaran

Kecepatan putaran/tingkat getaran dari perkakas listrik yang dihidupkan dapat diatur terus-menerus bergantung seberapa kuat tombol on/off **(9)** ditekan.

Jika tombol on/off **(9)** ditekan singkat, kecepatan putaran/tingkat getaran akan menjadi rendah. Jika tombol ditekan kuat, kecepatan putaran/tingkat getaran akan bertambah.

Kecepatan putaran juga dapat diatur pada User Interface atau aplikasi smartphone.

Mengubah posisi pahat (Vario Lock)

Pahat dapat dikunci pada posisi **16**. Dengan demikian, posisi kerja yang optimal dapat diperoleh.

- Masukkan pahat ke dalam dudukan alat kerja.
- Putar selektor putar **(5)** ke posisi "Vario Lock".
- Putar alat sisipan ke posisi pahat yang diinginkan.
- Putar selektor putar **(5)** ke posisi "Pemahatan". Dudukan alat kerja kemudian akan terkunci.

Pemahatan dengan fungsi penguncian

Untuk memahat dalam waktu lama tanpa selalu menekan tombol on/off **(9)**, kunci tombol on/off pada mode pengoperasian "Pemahatan".

- Untuk **mengunci**, tekan tombol on/off **(9)** hingga maksimal dan tekan tombol pengunci **(7)** secara bersamaan.
- Untuk **mematikan**, tekan kembali tombol pengunci **(7)**.

User Interface (lihat gambar F)

User Interface **(14)** digunakan untuk memilih mode pengoperasian serta untuk display status perkakas listrik.

Display status perkakas listrik (20)	Arti/penyebab	Solusi
	Mesin terhenti, baterai terlalu lemah	Isi daya baterai atau gunakan jenis baterai yang direkomendasikan
	Gangguan umum	<ul style="list-style-type: none"> – Matikan atau hidupkan kembali perkakas listrik atau lepas baterai lalu pasang kembali <p>Jika gangguan berlanjut:</p> <ul style="list-style-type: none"> – Bawalah perkakas listrik ke layanan pelanggan
Berkedip merah – Bersama dengan display penonaktifan cepat (17)	Penonaktifan cepat telah terpicu	Matikan dan hidupkan kembali perkakas listrik
Berkedip biru	Perkakas listrik membuat koneksi ke perangkat seluler atau pengaturan akan dikirimkan	–

Indikator level pengisian daya baterai (User Interface) (16)	Arti/penyebab	Solusi
hijau (2 hingga 5 bar)	Baterai telah terisi daya	–
kuning (1 bar)	Baterai hampir kosong	Segera ganti atau isi daya baterai
merah (1 bar)	Baterai kosong	Ganti atau isi daya baterai

Simbol smartphone (21)	Arti/penyebab
–	Saat perangkat seluler terhubung, informasi lebih lanjut dapat tersedia di perangkat ini dengan menggunakan teknologi radio <i>Bluetooth</i> [®] .

Display suhu (22)	Arti/penyebab	Solusi
Kuning	Suhu pengoperasian baterai atau perkakas listrik meningkat secara signifikan, kinerja berkurang	Biarkan perkakas listrik menjadi dingin atau ganti baterai yang terlalu panas
Merah	Suhu pengoperasian baterai atau perkakas listrik terlampaui, perkakas listrik dimatikan untuk perlindungan	Biarkan perkakas listrik menjadi dingin atau ganti baterai yang terlalu panas

Memilih mode pengoperasian

Tekan tombol (19) beberapa kali untuk memilih mode pengoperasian hingga mode pengoperasian yang diinginkan menyala.

Catatan: Fungsi telah diatur sebelumnya dalam mode pengoperasian **Auto** dan **Soft**. Dalam mode pengoperasian **Favorite**, fungsi yang diatur sebelumnya dapat dikonfigurasi melalui aplikasi smartphone.

Display mode pengoperasian (18)	Fungsi
Auto menyala	<p>Mode pengoperasian Auto: Start lebih cepat dan terkontrol hingga daya maksimal</p> <ul style="list-style-type: none"> – Mode pengoperasian "Pengeboran hammer" (start halus Electronic Precision Control): Start lebih cepat dan terkontrol hingga daya maksimal – Penonaktifan cepat (Kickback Control) aktif – Mode pengoperasian "Pemahatan" (start halus Adaptive Speed Control): Start lebih cepat dan terkontrol hingga daya maksimal
Favorite menyala	<p>Mode pengoperasian Favorite: Konfigurasi individu melalui aplikasi smartphone (hanya 3 611 J17 0.. yang terhubung dengan modul <i>Bluetooth</i>[®] Low Energy GCY 42)</p> <p>Pengaturan berikut telah dikonfigurasi sebelumnya:</p>

Display mode pengoperasian (18)	Fungsi
	<ul style="list-style-type: none"> – Mode pengoperasian "Pengeboran hammer" (start halus Electronic Precision Control): Start terkontrol hingga pengurangan daya sedang – Penonaktifan cepat (Kickback Control) aktif – Mode pengoperasian "Pemahatan" (start halus Adaptive Speed Control): Start secepat mungkin hingga daya maksimal
Soft menyala	<p>Mode pengoperasian Soft: Pengurangan daya untuk memproses bahan yang rentan</p> <ul style="list-style-type: none"> – Mode pengoperasian "Pengeboran hammer" (start halus Electronic Precision Control): Start lebih lambat, sangat terkontrol hingga pengurangan daya rendah – Penonaktifan cepat (Kickback Control) aktif – Mode pengoperasian "Pemahatan" (start halus Adaptive Speed Control): Start lebih lambat, sangat terkontrol hingga pengurangan daya

Fungsi konektivitas

Berkaitan dengan modul *Bluetooth*® Low Energy **GCY 42**, fungsi konektivitas berikut tersedia untuk perkakas listrik:

- Pendaftaran dan personalisasi
- Cek status, tampilan pesan peringatan
- Informasi umum dan pengaturan
- Perawatan

Untuk informasi mengenai modul *Bluetooth*® Low Energy **GCY 42**, baca panduan pengoperasian terkait.

Petunjuk pengoperasian

- ▶ **Perkakas listrik dengan modul *Bluetooth*® Low Energy GCY 42 yang terpasang dilengkapi dengan antarmuka nirkabel. Perhatikan batasan pengoperasian lokal, misalnya dalam pesawat terbang atau di rumah sakit.**
- ▶ **Area yang tidak memperbolehkan penggunaan teknologi nirkabel *Bluetooth*®, modul *Bluetooth*® Low Energy GCY 42 dan baterai kancing harus dilepaskan.**

Catatan: Penutup **(15)** hanya dapat ditutup dengan aman jika modul *Bluetooth*® Low Energy GCY 42 dan baterai kancing terdapat pada perkakas listrik.

- Untuk **menonaktifkan** modul *Bluetooth*® Low Energy GCY 42, putar baterai kancing atau letakkan isolasi antara baterai kancing dan modul *Bluetooth*® Low Energy GCY 42.
- Tutup penutup **(15)** untuk mencegah kotoran masuk.

Kopling beban berlebih

- ▶ **Jika alat sisipan terjepit atau tersangkut, maka daya penggerak ke spindel bor akan terhenti. Akibat daya yang timbul, tahan selalu perkakas listrik dengan kuat menggunakan kedua tangan dan ambil pijakan yang kuat.**
- ▶ **Jika perkakas listrik macet, matikan perkakas listrik dan lepaskan alat sisipan. Jika perkakas listrik dihidupkan dengan kondisi mesin bor masih macet, hal ini dapat menyebabkan terjadinya torsi reaksi yang besar.**

Penonaktifan cepat (Kickback Control)



Penonaktifan cepat (Kickback Control) menawarkan kendali yang lebih baik pada perkakas listrik dan meningkatkan perlindungan terhadap pengguna dibandingkan dengan perkakas listrik tanpa Kickback Control. Jika perkakas listrik berputar pada poros bor secara mendadak dan tak terduga, perkakas listrik akan mati, display penonaktifan cepat **(17)** akan menyala merah dan lampu kerja **(11)** akan berkedip. Jika penonaktifan cepat diaktifkan, display status **(20)** akan berkedip merah.

- Untuk **mengoperasikan kembali perkakas listrik**, lepaskan tombol on/off **(9)** lalu tekan kembali.

Electronic Precision Control (EPC)

EPC membantu pengguna selama pengeboran dan pengoperasian melalui getaran pada bahan yang rentan dengan meningkatkan kecepatan pengoperasian secara perlahan untuk pengerjaan yang tepat.

Kontrol kecepatan putaran elektronik (Adaptive Speed Control) dalam mode pengoperasian "Pemahatan"



Untuk kontrol yang lebih baik dan penggunaan yang tepat, perkakas listrik dimulai dengan kecepatan putaran rendah dan kemudian akan meningkat sesuai kecepatan yang diatur. Kontrol kecepatan putaran elektronik diaktifkan secara otomatis saat menghidupkan perkakas listrik.

Peredaman getaran

Vibration Control Peredaman getaran yang terintegrasi akan mengurangi getaran yang muncul.

- ▶ **Hentikan penggunaan perkakas listrik jika elemen peredaman rusak.**

Perawatan dan servis

Perawatan dan pembersihan

- ▶ **Sebelum melakukan semua pekerjaan pada perkakas listrik (misalnya merawat, mengganti alat kerja, dsb.) serta selama transpor dan penyimpanan, keluarkanlah baterai dari perkakas listrik.** Terdapat risiko cedera apabila tombol untuk menghidupkan dan mematikan dioperasikan tanpa sengaja.
- ▶ **Perkakas listrik dan lubang ventilasi harus selalu dibersihkan agar perkakas dapat digunakan dengan baik dan aman.**
- ▶ **Tutup pelindung debu yang rusak harus segera diganti. Direkomendasikan untuk melakukannya di layanan pelanggan Bosch.**
 - Bersihkanudukan alat kerja (2) setiap kali selesai digunakan.

Layanan pelanggan dan konsultasi penggunaan

Layanan pelanggan Bosch menjawab semua pertanyaan Anda tentang reparasi dan perawatan serta tentang suku cadang produk ini. Gambaran teknis (exploded view) dan informasi mengenai suku cadang dapat ditemukan di: www.bosch-pt.com

Tim konsultasi penggunaan Bosch akan membantu Anda menjawab pertanyaan seputar produk kami beserta aksesorinya.

Jika Anda hendak menanyakan sesuatu atau memesan suku cadang, selalu sebutkan nomor model yang terdiri dari 10 angka dan tercantum pada label tipe produk.

Indonesia

PT Robert Bosch Indonesia
Arkadia Green Park Tower G – 7th floor
Jl. Let. Jend. TB. Simatupang Kav. 88
Jakarta 12520
Tel.: (021) 3005 5800
Fax: (021) 3005 5801
E-Mail: boschpowertools@id.bosch.com
www.bosch-pt.co.id

Alamat layanan lainnya dapat ditemukan di:

www.bosch-pt.com/serviceaddresses

Transpor

Baterai li-ion yang direkomendasikan tunduk pada persyaratan terkait peraturan tentang bahan-bahan yang berbahaya. Baterai dapat diangkut di jalan oleh penggunanya tanpa pembatasan lebih lanjut.

Pada pengiriman oleh pihak ketiga (misalnya transportasi udara atau perusahaan ekspedisi) harus ditaati syarat-syarat terkait kemasan dan pemberian tanda. Dalam hal ini, diperlukan konsultasi dengan ahli bahan-bahan berbahaya saat mengatur barang pengiriman.

Kirimkan baterai hanya jika housing-nya tidak rusak. Tutup bagian-bagian yang terbuka dan kemas baterai agar tidak bergerak-gerak di dalam kemasan. Taatilah peraturan-

peraturan nasional lainnya yang mungkin lebih rinci yang berlaku di negara Anda.

Cara membuang



Perkakas listrik, baterai, aksesoris dan kemasan harus didaur ulang dengan cara yang ramah lingkungan.



Jangan membuang perkakas listrik, aki/baterai ke dalam sampah rumah tangga!

Baterai:

Li-ion:

Perhatikanlah petunjuk-petunjuk dalam bab Transpor (lihat „Transpor“, Halaman 88).

Tiếng Việt

Hướng dẫn an toàn

Hướng dẫn an toàn chung cho dụng cụ điện

⚠ CẢNH BÁO **Hãy đọc toàn bộ các cảnh báo an toàn, hướng dẫn, hình ảnh và thông số kỹ thuật được cung cấp cho dụng cụ điện cầm tay này.** Không tuân thủ mọi hướng dẫn được liệt kê dưới đây có thể bị điện giật, gây cháy và /hay bị thương tật nghiêm trọng. **Hãy giữ tất cả tài liệu về cảnh báo và hướng dẫn để tham khảo về sau.**

Thuật ngữ "dụng cụ điện cầm tay" trong phần cảnh báo là đề cập đến sự sử dụng dụng cụ điện cầm tay của bạn, loại sử dụng điện nguồn (có dây cắm điện) hay vận hành bằng pin (không dây cắm điện).

Khu vực làm việc an toàn

- ▶ **Giữ nơi làm việc sạch và đủ ánh sáng.** Nơi làm việc bừa bộn và tối tăm dễ gây ra tai nạn.
- ▶ **Không vận hành dụng cụ điện cầm tay trong môi trường dễ gây nổ, chẳng hạn như nơi có chất lỏng dễ cháy, khí đốt hay rác.** Dụng cụ điện cầm tay tạo ra các tia lửa nên có thể làm rác bén cháy hay bốc khói.
- ▶ **Không để trẻ em hay người đến xem đứng gần khi vận hành dụng cụ điện cầm tay.** Sự phân tâm có thể gây ra sự mất điều khiển.

An toàn về điện

- ▶ **Phích cắm của dụng cụ điện cầm tay phải thích hợp với ổ cắm. Không bao giờ được cài biến lại phích cắm dưới mọi hình thức. Không được sử dụng phích tiếp hợp nối tiếp**

đất (dây mát). Phích cắm nguyên bản và ổ cắm đúng loại sẽ làm giảm nguy cơ bị điện giật.

- ▶ **Tránh không để thân thể tiếp xúc với đất hay các vật có bề mặt tiếp đất như đường ống, lò sưởi, hàng rào và tủ lạnh.** Có nhiều nguy cơ bị điện giật hơn nếu cơ thể bạn bị tiếp hay nối đất.
- ▶ **Không được để dụng cụ điện cầm tay ngoài mưa hay ở tình trạng ẩm ướt.** Nước vào máy sẽ làm tăng nguy cơ bị điện giật.
- ▶ **Không được lạm dụng dây dẫn điện. Không bao giờ được nắm dây dẫn để xách, kéo hay rút phích cắm dụng cụ điện cầm tay. Không để dây gần nơi có nhiệt độ cao, dầu nhớt, vật nhọn bén và bộ phận chuyển động.** Làm hỏng hay cuộn rối dây dẫn làm tăng nguy cơ bị điện giật.
- ▶ **Khi sử dụng dụng cụ điện cầm tay ngoài trời, dùng dây nối thích hợp cho việc sử dụng ngoài trời làm giảm nguy cơ bị điện giật.**
- ▶ **Nếu việc sử dụng dụng cụ điện cầm tay ở nơi ẩm ướt là không thể tránh được, dùng thiết bị ngắt mạch tự động (RCD) bảo vệ nguồn.** Sử dụng thiết bị ngắt mạch tự động RCD làm giảm nguy cơ bị điện giật.

An toàn cá nhân

- ▶ **Hãy tỉnh táo, biết rõ mình đang làm gì và hãy sử dụng ý thức khi vận hành dụng cụ điện cầm tay. Không sử dụng dụng cụ điện cầm tay khi đang mệt mỏi hay đang bị tác động do chất gây nghiện, rượu hay dược phẩm gây ra.** Một thoáng mất tập trung khi đang vận hành dụng cụ điện cầm tay có thể gây thương tích nghiêm trọng cho bản thân.
- ▶ **Sử dụng trang bị bảo hộ cá nhân. Luôn luôn đeo kính bảo vệ mắt.** Trang bị bảo hộ như khẩu trang, giày chống trượt, nón bảo hộ, hay dụng cụ bảo vệ tai khi được sử dụng đúng nơi đúng chỗ sẽ làm giảm nguy cơ thương tật cho bản thân.
- ▶ **Phòng tránh máy khởi động bất ngờ. Bảo đảm công tắc máy ở vị trí tắt trước khi cắm vào nguồn điện và/hay lắp pin vào, khi nhắc máy lên hay khi mang xách máy.** Ngáng ngón tay vào công tắc máy để xách hay kích hoạt dụng cụ điện cầm tay khi công tắc ở vị trí mở dễ dẫn đến tai nạn.
- ▶ **Lấy mọi chia hay khóa điều chỉnh ra trước khi mở điện dụng cụ điện cầm tay.** Khóa hay chia còn gắn dính vào bộ phận quay của dụng cụ điện cầm tay có thể gây thương tích cho bản thân.
- ▶ **Không rướn người. Luôn luôn giữ tư thế đứng thích hợp và thăng bằng.** Điều này tạo cho việc điều khiển dụng cụ điện cầm tay tốt hơn trong mọi tình huống bất ngờ.

- ▶ **Trang phục thích hợp. Không mặc quần áo rộng lủng thụng hay mang trang sức. Giữ tóc và quần áo xa khỏi các bộ phận chuyển động.** Quần áo rộng lủng thụng, đồ trang sức hay tóc dài có thể bị cuốn vào các bộ phận chuyển động.
- ▶ **Nếu có các thiết bị đi kèm để nối máy hút bụi và các phụ kiện khác, bảo đảm các thiết bị này được nối và sử dụng tốt.** Việc sử dụng các thiết bị gom hút bụi có thể làm giảm các độc hại liên quan đến bụi gây ra.
- ▶ **Không để thói quen do sử dụng thường xuyên dụng cụ khiến bạn trở nên chủ quan và bỏ qua các quy định an toàn dụng cụ.** Một hành vi bất cẩn có thể gây ra thương tích nghiêm trọng chỉ trong tích tắc.

Sử dụng và bảo dưỡng dụng cụ điện cầm tay

- ▶ **Không được ép máy. Sử dụng dụng cụ điện cầm tay đúng loại theo đúng ứng dụng của bạn.** Dụng cụ điện cầm tay đúng chức năng sẽ làm việc tốt và an toàn hơn theo đúng tiến độ mà máy được thiết kế.
- ▶ **Không sử dụng dụng cụ điện cầm tay nếu như công tắc không tắt và mở được.** Bất kỳ dụng cụ điện cầm tay nào mà không thể điều khiển được bằng công tắc là nguy hiểm và phải được sửa chữa.
- ▶ **Rút phích cắm ra khỏi nguồn điện và/hay pin ra khỏi dụng cụ điện cầm tay nếu có thể tháo được, trước khi tiến hành bất kỳ điều chỉnh nào, thay phụ kiện, hay cất dụng cụ điện cầm tay.** Các biện pháp ngăn ngừa như vậy làm giảm nguy cơ dụng cụ điện cầm tay khởi động bất ngờ.
- ▶ **Cất giữ dụng cụ điện cầm tay không dùng tới nơi trẻ em không lấy được và không cho người chưa từng biết dụng cụ điện cầm tay hay các hướng dẫn này sử dụng dụng cụ điện cầm tay.** Dụng cụ điện cầm tay nguy hiểm khi ở trong tay người chưa được chỉ cách sử dụng.
- ▶ **Bảo quản dụng cụ điện cầm tay và các phụ kiện. Kiểm tra xem các bộ phận chuyển động có bị sai lệch hay kẹt, các bộ phận bị rạn nứt và các tình trạng khác có thể ảnh hưởng đến sự vận hành của máy. Nếu bị hư hỏng, phải sửa chữa máy trước khi sử dụng.** Nhiều tai nạn xảy ra do bảo quản dụng cụ điện cầm tay tồi.
- ▶ **Giữ các dụng cụ cất bên và sạch.** Bảo quản đúng cách các dụng cụ cất có cạnh cất bên làm giảm khả năng bị kẹt và dễ điều khiển hơn.
- ▶ **Sử dụng dụng cụ điện cầm tay, phụ kiện, đầu cài v. v., đúng theo các chỉ dẫn này, hãy lưu ý đến điều kiện làm việc và công việc phải thực hiện.** Sự sử dụng dụng cụ điện cầm tay khác

với mục đích thiết kế có thể tạo nên tình huống nguy hiểm.

- ▶ **Giữ tay cầm và bề mặt nắm luôn khô ráo, sạch sẽ và không dính dầu mỡ.** Tay cầm và bề mặt nắm trơn trượt không đem lại thao tác an toàn và kiểm soát dụng cụ trong các tình huống bất ngờ.

Sử dụng và bảo quản dụng cụ dùng pin

- ▶ **Chỉ được sạc pin lại với bộ nạp điện do nhà sản xuất chỉ định.** Bộ nạp điện thích hợp cho một loại pin có thể gây nguy cơ cháy khi sử dụng cho một loại pin khác.
- ▶ **Chỉ sử dụng dụng cụ điện cầm tay với loại pin được thiết kế đặc biệt dành riêng cho máy.** Sử dụng bất cứ loại pin khác có thể dẫn đến thương tật hay cháy.
- ▶ **Khi không sử dụng pin, để cách xa các vật bằng kim loại như kẹp giấy, tiền xu, chìa khoá, đinh, ốc vít hay các đồ vật kim loại nhỏ khác, thứ có thể tạo sự nối tiếp từ một đầu cực với một đầu cực khác.** Sự chập mạch của các đầu cực với nhau có thể gây bóng hay cháy.
- ▶ **Bảo quản ở tình trạng tối, dung dịch từ pin có thể tửa ra; tránh tiếp xúc.** Nếu vô tình chạm phải, hãy xối nước để rửa. Nếu dung dịch vào mắt, cần thêm sự hỗ trợ của y tế. Dung dịch tiết ra từ pin có thể gây ngứa hay bóng.
- ▶ **Không được sử dụng bộ pin hoặc dụng cụ đã bị hư hại hoặc bị thay đổi.** Pin hỏng hoặc bị thay đổi có thể gây ra những tác động không lường trước được như cháy nổ hoặc nguy cơ thương tích.
- ▶ **Không đặt bộ pin hoặc dụng cụ ở gần lửa hoặc nơi quá nhiệt.** Tiếp xúc với lửa hoặc nhiệt độ cao trên 130°C có thể gây nổ.
- ▶ **Tuân thủ tất cả các hướng dẫn nạp và không nạp bộ pin hay dụng cụ ở bên ngoài phạm vi nhiệt độ đã được quy định trong các hướng dẫn.** Nạp không đúng cách hoặc ở nhiệt độ ngoài phạm vi nạp đã quy định có thể làm hư hại pin và gia tăng nguy cơ cháy.

Bảo dưỡng

- ▶ **Đưa dụng cụ điện cầm tay của bạn đến thợ chuyên môn để bảo dưỡng, chỉ sử dụng phụ tùng đúng chủng loại để thay.** Điều này sẽ đảm bảo sự an toàn của máy được giữ nguyên.
- ▶ **Không bao giờ sửa chữa các bộ pin đã hư hại.** Chỉ cho phép nhà sản xuất hoặc các nhà cung cấp dịch vụ có ủy quyền thực hiện dịch vụ sửa chữa cho các bộ pin.

Hướng dẫn an toàn về búa

Hướng dẫn an toàn cho mọi hoạt động

- ▶ **Đeo bảo vệ tai.** Tiếp xúc với tiếng ồn có thể làm mất khả năng nghe.

- ▶ **Sử dụng (các) tay cầm phụ, nếu được cung cấp kèm theo dụng cụ.** Mất điều khiển có thể gây ra thương tích cho người.
- ▶ **Chỉ cầm dụng cụ điện tại các bề mặt cầm nắm có cách điện, khi thực hiện một thao tác tại vị trí mà phụ kiện cắt có thể tiếp xúc với dây điện ngầm hoặc chính dây điện của thiết bị.** Phụ kiện cắt tiếp xúc với dây có điện có thể làm cho các phần kim loại hở của dụng cụ điện cầm tay có điện và có thể gây ra điện giật cho người vận hành.

Hướng dẫn an toàn khi sử dụng các mũi khoan dài với máy khoan búa kiểu xoay

- ▶ **Luôn khởi động khoan ở tốc độ thấp và với đầu mũi khoan tiếp xúc với phôi gia công.** Ở tốc độ cao hơn, mũi khoan có thể bị cong nếu cho phép xoay tự do mà không cho tiếp xúc với phôi gia công, dẫn đến thương tích cho người.
- ▶ **Chỉ dùng áp lực vào đường trực tiếp bằng mũi khoan và không dùng áp lực dư.** Mũi khoan có thể cong, dẫn đến bị gãy hoặc mất kiểm soát, gây thương tích cho người.

Các cảnh báo phụ thêm

- ▶ **Dùng thiết bị dò tìm thích hợp để xác định nếu có các công trình công cộng lắp đặt ngầm trong khu vực làm việc hay liên hệ với Cty công trình công cộng địa phương để nhờ hỗ trợ.** Dụng cụ chạm đường dẫn điện có thể gây ra hỏa hoạn và điện giật. Làm hư hại đường dẫn khí ga có thể gây nổ. Làm thủng ống dẫn nước có thể làm hư hại tài sản hay có thể gây ra điện giật.
- ▶ **Luôn luôn đợi cho máy hoàn toàn ngừng hẳn trước khi đặt xuống.** Dụng cụ lắp vào máy có thể bị kẹp chặt dẫn đến việc dụng cụ điện cầm tay bị mất điều khiển.
- ▶ **Kẹp chặt vật gia công.** Vật gia công được kẹp bằng một thiết bị kẹp hay bằng ê-tô thì vững chắc hơn giữ bằng tay.
- ▶ **Trong trường hợp pin bị hỏng hay sử dụng sai cách, hơi nước có thể bốc ra. Pin có thể cháy hoặc nổ.** Hãy làm cho thông thoáng khí và trong trường hợp bị đau phải nhờ y tế chữa trị. Hơi nước có thể gây ngứa hệ hô hấp.
- ▶ **Không được tháo pin ra.** Nguy cơ bị chập mạch.
- ▶ **Pin có thể bị hư hại bởi các vật dụng nhọn như đinh hay tuốc-nơ-vít hoặc bởi các tác động lực từ bên ngoài.** Nó có thể dẫn tới đoản mạch nội bộ và làm pin bị cháy, bốc khói, phát nổ hoặc quá nóng.
- ▶ **Chỉ sử dụng pin trong các sản phẩm của nhà sản xuất.** Chỉ bằng cách này, pin sẽ được bảo vệ tránh nguy cơ quá tải.



Bảo vệ pin không để bị làm nóng, ví dụ, chống để lâu dài dưới ánh nắng gay gắt, lửa, chất bẩn, nước, và sự ẩm ướt. Có nguy cơ nổ và chập mạch.



- ▶ **Không chạm vào bất kỳ dụng cụ hoặc bộ phận vỏ gắn kể nào ngay sau khi vận hành.** Chúng có thể rất nóng trong quá trình vận hành và gây bỏng.
- ▶ **Dụng cụ gài có thể chặn khi khoan. Giữ dụng cụ điện thật chắc bằng cả hai tay và giữ tư thế đứng cho thích hợp và cân bằng.** Bạn có thể mất kiểm soát thông qua dụng cụ điện.
- ▶ **Cẩn thận với công việc phá dỡ bằng máy đục.** Các mảnh vỡ của vật liệu phá dỡ rơi xuống có thể gây thương tích cho người xung quanh hoặc chính bạn.
- ▶ **Giữ máy thật chắc bằng cả hai tay trong khi làm việc và luôn luôn giữ tư thế đứng cho thích hợp và cân bằng.** Dùng hai tay để điều khiển máy thì an toàn hơn.
- ▶ **Cẩn thận! Nếu sử dụng dụng cụ điện với cổng Bluetooth® có thể gây nhiễu các dụng cụ, thiết bị khác cũng như máy bay và dụng cụ y tế (ví dụ: máy tạo nhịp tim, máy trợ thính). Và cũng không thể loại trừ hoàn toàn những tổn hại cho người và động vật ở môi trường trực diện xung quanh. Không sử dụng dụng cụ điện có kết nối Bluetooth® ở gần những thiết bị y tế, trạm xăng, cơ sở hóa học, các khu vực có nguy cơ gây nổ và các khu vực cháy nổ. Không sử dụng dụng cụ điện có kết nối Bluetooth® trên máy bay. Tránh để máy hoạt động gần cơ thể trong thời gian dài.**

Biểu tượng chữ Bluetooth® cũng như biểu tượng ảnh (các logo) do công ty cổ phần Bluetooth SIG đăng ký nhãn hiệu và sở hữu. Công ty trách nhiệm hữu hạn Robert Bosch Power Tools GmbH đã được cấp phép để sử dụng những biểu tượng chữ/biểu tượng ảnh này với sản phẩm của mình.

Các Biểu Tượng

Các biểu tượng sau đây có khả năng diễn đạt ý nghĩa về cách sử dụng dụng cụ điện cầm tay của bạn. Xin vui lòng ghi nhận các biểu tượng và ý nghĩa của chúng. Sự hiểu đúng các biểu tượng sẽ giúp bạn sử dụng máy một cách tốt và an toàn hơn.

Biểu tượng và các ý nghĩa của chúng



Để thay dụng cụ gài, hãy kéo vòng khóa ra sau.



Mô Tả Sản Phẩm và Đặc Tính Kỹ Thuật



Đọc kỹ mọi cảnh báo an toàn và mọi hướng dẫn. Không tuân thủ mọi cảnh báo và hướng dẫn được liệt kê dưới đây có thể bị điện giật, gây cháy và / hay bị thương tật nghiêm trọng.

Xin lưu ý các hình minh họa trong phần trước của hướng dẫn vận hành.

Sử dụng đúng cách

Dụng cụ điện được thiết kế để khoan có động tác búa vào bê-tông, công trình nề và đá cũng như dành cho công việc đục.

Khi Bluetooth® Low Energy Module được sử dụng, dữ liệu và các cài đặt của dụng cụ điện có thể được truyền đi giữa dụng cụ điện và một thiết bị đầu cuối di động GCY 42 bằng công nghệ sóng vô tuyến Bluetooth®.

Các bộ phận được minh họa

Việc đánh số các thành phần đã minh họa liên quan đến mô tả dụng cụ điện trên trang hình ảnh.

- (1) Đầu cặp mũi khoan SDS max
- (2) Phần lắp dụng cụ SDS max
- (3) Chụp ngăn bụi
- (4) Vòng khóa
- (5) Công tắc dừng xoay
- (6) Bộ phận giảm chấn
- (7) Nút khóa giữ chế độ tự-chạy của công tắc Tắt/Mở
- (8) Tay nắm (có bề mặt nắm cách điện)
- (9) Công tắc Tắt/Mở
- (10) Pin^{a)}
- (11) Đèn làm việc
- (12) Tay nắm phụ (có bề mặt nắm cách điện)
- (13) Nút tháo pin^{a)}
- (14) Giao diện người dùng
- (15) Nạp Bluetooth® Low Energy Module GCY 42
- (16) Đèn báo trạng thái nạp pin (Giao diện người dùng)
- (17) Hiển thị Chế độ ngắt nhanh (Giao diện người dùng)
- (18) Hiển thị chế độ làm việc (Giao diện người dùng)
- (19) Nút chọn chế độ làm việc (Giao diện người dùng)
- (20) Hiển thị Trạng thái dụng cụ điện (Giao diện người dùng)
- (21) Biểu tượng Smartphone (Giao diện người dùng)

(22) Hiển thị nhiệt độ (Giao diện người dùng)

a) Phụ tùng được trình bày hay mô tả không phải là một phần của tiêu chuẩn hàng hóa được giao kèm theo sản phẩm. Bạn có thể tham khảo tổng thể các loại phụ tùng, phụ kiện trong chương trình phụ tùng của chúng tôi.

Thông số kỹ thuật

Búa khoan dùng pin		GBH 18V-40 C	GBH 18V-40 C
Mã số máy		3 611 J17 0..	3 611 J17 1..
Điện thế danh định	V=	18	18
Tần suất đập ^{A)}	min ⁻¹	0–3130	0–3130
Năng lượng va đập của từng hành trình dựa theo EPTA-Procedure 05:2016	J	9,0	9,0
Tốc độ danh định	min ⁻¹	0–360	0–360
Phần lắp dụng cụ		Tháo ráp nhanh SDS max	Tháo ráp nhanh SDS max
Mô-đun Bluetooth® Low Energy GCY 42		● ^{B)}	– ^{C)}
Đường kính khoan, tối đa:			
– Bê tông	mm	40	40
– Bê tông (với mũi khoan lõi)	mm	90	90
Trọng lượng theo EPTA-Procedure 01:2014 ^{D)}	kg	7,4–8,4	7,4–8,4
Chiều dài	mm	502	502
Chiều cao	mm	253	253
Nhiệt độ môi trường được khuyến nghị khi sạc	°C	0 ... +35	0 ... +35
Nhiệt độ môi trường cho phép trong quá trình vận hành ^{E)} và trong quá trình lưu trữ	°C	-20...+50	-20...+50
Pin tương thích		GBA 18V... ProCORE18V...	GBA 18V... ProCORE18V...
Pin được khuyến dùng cho công suất tối đa		ProCORE18V... ≥ 5,5 Ah	ProCORE18V... ≥ 5,5 Ah
Thiết bị nạp được giới thiệu		GAL 18... GAX 18... GAL 36...	GAL 18... GAX 18... GAL 36...
Truyền dữ liệu			
Bluetooth®		Bluetooth® 4.2 (Low Energy) ^{F)}	Bluetooth® 4.2 (Low Energy) ^{F)}
Khoảng cách giữa các tín hiệu	s	8	8
Phạm vi tín hiệu tối đa ^{G)}	m	30	30

A) Được đo ở 20–25 °C với pin **GBA 18V 8.0Ah**.

B) được lắp sơ bộ

C) có thể trang bị thêm

D) tùy vào loại pin lốc đang sử dụng

E) Hiệu suất giới hạn ở nhiệt độ < 0 °C và > 40 °C

F) Các thiết bị di động đầu cuối phải tương thích với các thiết bị Bluetooth® Low Energy (Phiên bản 4.2) và phải hỗ trợ chế độ Generic Access Profile (GAP).

G) Phạm vi có thể biến đổi mạnh tùy thuộc vào điều kiện bên ngoài, bao gồm thiết bị thu nhận được dùng. Trong các phòng kín và qua các rào chắn kim loại (ví dụ tường, giá, va li, v.v.) phạm vi Bluetooth® có thể nhỏ hơn.

Pin

Bosch mua dụng cụ điện chạy pin không có pin. Dù pin được bao gồm trong phạm vi giao hàng của dụng cụ điện, bạn có thể tháo bao gi.

Sạc pin

► **Chỉ sử dụng bộ sạc được đề cập trong dữ liệu kỹ thuật.** Chỉ những bộ sạc này phù hợp cho dụng cụ điện cầm tay của bạn có sử dụng pin Li-Ion.

Hướng dẫn: Pin Lithium-ion được giao một phần do các quy định vận tải quốc tế. Để bảo đảm đầy đủ điện dung, nạp điện hoàn toàn lại cho pin trước khi sử dụng cho lần đầu tiên.

Lắp pin

Hãy đẩy pin đã sạc vào giá gắn pin cho đến khi nó vào khớp.

Tháo pin ra

Để tháo pin bạn hãy ấn nút mở khóa pin và kéo pin ra. **Không dùng sức.**

Pin có 2 mức khóa, có nhiệm vụ ngăn ngừa pin bị rơi ra do vô ý bấm phải nút tháo pin. Cứ khi nào pin còn được lắp trong dụng cụ điện, nó vẫn được giữ nguyên vị trí nhờ vào một lò xo.

Đèn báo trạng thái nạp pin

Các đèn LED màu xanh của màn hình hiển thị tình trạng sạc pin chỉ ra tình trạng sạc của pin. Vì lý do an toàn, ta chỉ có thể kiểm tra trạng thái của tình trạng nạp điện khi máy đã ngừng hoạt động hoàn toàn.

Để hiển thị tình trạng nạp, bạn hãy nhấn nút để hiển thị mức sạc ☺ hoặc ☹. Điều này cũng có thể thực hiện khi ắc quy được tháo ra.

Đèn LED không sáng sau khi nhấn nút để hiển thị mức sạc có nghĩa là pin bị hỏng và phải được thay thế.

Mức sạc pin cũng được hiển thị trên giao diện người dùng Hiển thị trạng thái.

Kiểu pin GBA 18V...



LED	Điện dung
Đèn sáng liên tục 3× màu xanh lá	60–100 %
Đèn sáng liên tục 2× màu xanh lá	30–60 %
Đèn sáng liên tục 1× màu xanh lá	5–30 %
Đèn nhấp nháy 1× màu xanh lá	0–5 %

Kiểu pin ProCORE18V...



LED	Điện dung
Đèn sáng liên tục 5× màu xanh lá	80–100 %
Đèn sáng liên tục 4× màu xanh lá	60–80 %
Đèn sáng liên tục 3× màu xanh lá	40–60 %
Đèn sáng liên tục 2× màu xanh lá	20–40 %
Đèn sáng liên tục 1× màu xanh lá	5–20 %
Đèn nhấp nháy 1× màu xanh lá	0–5 %

Các Khuyến Nghị về Cách Bảo Dưỡng Tốt Nhất cho Pin

Bảo vệ pin hợp khối tránh sự ẩm ướt và nước.

Chỉ bảo quản pin trong tầm nhiệt độ nằm giữa –20 °C và 50 °C. Không để pin trong ô tô vào mùa hè.

Thỉnh thoảng làm sạch các khe thông gió của pin bằng cách dùng một cái cọ khô, mềm và sạch.

Sự giảm sút đáng kể thời gian hoạt động sau khi nạp điện chỉ rõ rằng pin hợp khối đã hết công dụng và phải được thay.

Quy trình hoạt động được chia ra làm hai giai đoạn.

Sự lắp vào

- **Trước khi tiến hành bất cứ công việc gì với máy (ví dụ bảo dưỡng, thay dụng cụ v.v.) cũng như khi vận chuyển hay lưu kho, tháo pin ra khỏi dụng cụ điện.** Có nguy cơ gây thương tích khi vô tình làm kích hoạt công tắc Tắt/Mở.
- **Bạn hãy ấn nút khóa giữ trước khi thực hiện tất cả các công việc ở thiết bị điện (ví dụ bảo dưỡng, thay đổi dụng cụ, vv) cũng như khi vận chuyển và bảo quản, để khóa công tắc bật/tắt.** Có nguy cơ gây thương tích khi vô tình làm kích hoạt công tắc Tắt/Mở.

Sử dụng Bluetooth® Low Energy Module GCY 42 (Phụ kiện)

Để biết thông tin về Bluetooth® Low Energy Module **GCY 42**, hãy đọc hướng dẫn vận hành đi kèm.

Tay nắm phụ

- **Chỉ vận hành máy của bạn khi đã gắn tay nắm phụ (12).**
- **Đảm bảo tay nắm phụ luôn được siết chặt.** Bạn có thể mất kiểm soát thông qua dụng cụ điện khi làm việc.

Xoay tay nắm phụ (xem hình B)

Bạn có thể xoay tay nắm phụ (12) tùy ý, để có tư thế làm việc an toàn và ít mỏi.

- Xoay phần tay cầm dưới của tay nắm phụ (12) ngược chiều kim đồng hồ và xoay tay nắm phụ (12) vào vị trí mong muốn. Sau đó xoay mẫu tay cầm dưới của tay nắm phụ (12) theo chiều kim đồng hồ để siết chặt.

Hãy lưu ý rằng nẹp định vị của tay nắm phụ được đặt trong rãnh nằm trên vỏ máy đúng như chủ định.

Chọn Lựa Mâm Cặp Khoan và Dụng Cụ

Để đục hay khoan búa, cần phải sử dụng loại dụng cụ SDS-max để lắp vào mâm cặp khoan SDS-max.

Thay Dụng Cụ

Chụp bảo vệ ngăn bụi (3) giúp ngăn cản phần lớn sự xâm nhập của bụi khoan vào dụng cụ trong thời gian hoạt động. Khi lắp dụng cụ vào, hãy lưu ý rằng chụp bảo vệ ngăn bụi (3) không bị làm hư hỏng.

- ▶ **Thay chụp ngăn bụi bị hỏng ngay lập tức. Chúng tôi khuyến nghị việc thay thế này do một đại lý phục vụ hậu mãi thực hiện.**

Thay đổi dụng cụ (SDS-max)

Thay phụ tùng (xem Hình C)

Với phần tra lắp nhanh dụng cụ SDS-max, việc thay đổi dụng cụ đơn giản và dễ dàng hơn mà không cần sự phụ trợ nào khác.

- Làm sạch và thoa một lớp mỏng dầu bôi trơn lên chuỗi của dụng cụ.
- Đẩy vòng Khóa (4) về phía sau và đặt phụ tùng vào phần lắp dụng cụ. Nhả vòng khóa (4), để khóa phụ tùng.
- Kiểm tra xem đã cài chắc chưa bằng cách kéo thử dụng cụ ra.

Tháo phụ tùng (xem Hình D)

- Đẩy vòng khóa (4) về phía sau và tháo phụ tùng.

Hút Dăm/Bụi

Mạt bụi từ các vật liệu được sơn phủ ngoài có chứa chì trên một số loại gỗ, khoáng vật và kim loại có thể gây nguy hại đến sức khỏe con người. Đụng chạm hay hít thở các bụi này có thể làm người sử dụng hay đứng gần bị dị ứng và/hoặc gây nhiễm trùng hệ hô hấp.

Một số hạt bụi cụ thể, ví dụ như bụi gỗ sỏi hay đá, được xem là chất gây ung thư, đặc biệt là có liên quan đến các chất phụ gia dùng xử lý gỗ (chất cromat, chất bảo quản gỗ). Có thể chỉ nên để thợ chuyên môn gia công các loại vật liệu có chứa amiăng.

- Tạo không khí thông thoáng nơi làm việc.
- Khuyến nghị nên mang mặt nạ phòng độc có bộ lọc cấp P2.

Tuân thủ các qui định của quốc gia bạn liên quan đến loại vật liệu gia công.

- ▶ **Tránh không để rác tích tụ tại nơi làm việc.** Rác có thể dễ dàng bắt lửa.

Vận Hành

Bắt Đầu Vận Hành

- ▶ Đảm bảo rằng nắp che (15) của Bluetooth® Low Energy Module GCY 42 được đóng kín khi vận hành. Như vậy bạn sẽ tránh được bụi xâm nhập.

Cài đặt chế độ vận hành (xem hình E)

Với công tắc dừng xoay (5) hãy chọn chế độ vận hành của dụng cụ điện.

- Vận công tắc dừng xoay (5) vào vị trí mong muốn để thay đổi chế độ vận hành.

Hướng dẫn: Chỉ thay đổi chế độ vận hành khi dụng cụ điện tắt! Nếu không, máy có thể bị làm hỏng.

Lưu ý: Hãy chuyển sang chế độ vận hành khác, trong khi công tắc bật/tắt được khóa, dụng cụ điện được tắt.



Vị trí tới **Khoan búa**

Nếu dụng cụ gài không xoay ngay lập tức, hãy chạy dụng cụ điện từ từ cho đến khi dụng cụ gài xoay.



Vị trí **Vario-Lock** để điều chỉnh vị trí đục



Vị trí **đục**



Bật/tắt

- Hãy nhả nút khóa giữ (7) của công tắc bật/tắt nếu cần.
- Để **bật** dụng cụ điện cầm tay, bạn hãy nhấn công tắc bật/tắt (9).

Đèn làm việc (11) bật sáng khi công tắc Tắt/Mở được nhấn nhẹ hoặc nhấn hết cỡ (9) và cho phép chiếu sáng khu vực làm việc ở các điều kiện chiếu sáng kém.

- Để **tắt** dụng cụ điện, hãy nhả công tắc Tắt/Mở (9).

Đối với khi ở nhiệt độ thấp, máy đạt đến hết công suất búa/đập chỉ sau một khoảng thời gian nhất định.

Chỉnh đặt Tốc độ/Tần suất Đập

Bạn có thể liên tục điều chỉnh tốc độ/tần suất đập của dụng cụ điện đang bật tùy theo mức độ bấm công tắc Tắt/Mở mạnh hay nhẹ (9).

Bấm nhẹ công tắc Tắt/Mở (9) sẽ cho tốc độ/tần suất đập thấp. Lực áp mạnh hơn lên công tắc làm tăng tốc độ và tần suất đập.

Bạn có thể điều chỉnh số vòng quay trên giao diện người dùng hoặc bằng ứng dụng Smartphone.

Thay Đổi Vị Trí Đục (Khóa nhiều vị trí)

Bạn có thể khóa mũi đục vào 16 các vị trí. Nhờ như vậy, ta có thể tạo tư thế thao tác tốt nhất cho từng ứng dụng.

- Lắp mũi đục vào trong ổ lắp dụng cụ.
- Vận công tắc dừng xoay (5) vào vị trí „Khóa nhiều vị trí“.

- Xoay phần lắp dụng cụ về vị trí đục theo yêu cầu.
- Vận công tắc dừng xoay (5) vào vị trí „Đục“. Giá đỡ dụng cụ được khóa.

Đục với chức năng khóa giữ

Đục lâu hơn mà không cần liên tục nhấn công tắc bật/tắt (9), hãy khóa giữ công tắc bật/tắt trong chế độ vận hành „Đục“.

- Để **khóa** hãy nhấn công tắc bật/tắt (9) cho đến cử chặn và đồng thời nhấn nút khóa giữ (7).
- Để **tắt**, bạn hãy nhấn lại nút khóa giữ (7).

Giao diện người dùng (xem hình F)

Giao diện người dùng (14) dùng để chọn chế độ làm việc cũng như hiển thị tình trạng của dụng cụ điện.

Hiện thị trạng thái

Hiện thị trạng thái dụng cụ điện (20)	Ý nghĩa/Nguyên nhân	Cách khắc phục
Màu xanh lá	Trạng thái OK	–
Vàng	Đạt nhiệt độ tới hạn hoặc ắc quy gần cạn	Không cho dụng cụ điện hoạt động ở chế độ không tải và hãy để nguội, thay hoặc sạc ắc quy sớm
Màu đỏ	Dụng cụ điện bị quá nhiệt hoặc ắc quy cạn	Để nguội dụng cụ điện, thay hoặc sạc ắc quy
Màu đỏ	Nút khóa giữ trong chế độ vận hành „Khoan búa“ được nhấn	Bấm nút khóa giữ một lần nữa
	Công tắc dừng xoay được nhấn trong khi vận hành	Tắt dụng cụ điện và bật lại
	Động cơ bị chặn, pin yếu	Sạc pin hoặc sử dụng kiểu pin được khuyến nghị
	Lỗi chung	– Tắt dụng cụ điện và bật lại hoặc tháo pin và lắp lại Nếu vẫn xuất hiện lỗi: – Hãy gửi dụng cụ điện tới bộ phận dịch vụ khách hàng
Nhấp nháy đỏ – kết hợp với hiển thị chế độ ngắt nhanh (17)	Chế độ ngắt nhanh được kích hoạt	Tắt dụng cụ điện và bật lại
Nháy xanh dương	Dụng cụ điện thiết lập kết nối với thiết bị đầu cuối di động hoặc các cài đặt được truyền	–

Đèn báo trạng thái nạp pin (Giao diện người dùng) (16)	Ý nghĩa/Nguyên nhân	Cách khắc phục
xanh lục (2 đến 5 vạch)	Pin được sạc	–
vàng (1 vạch)	Pin gần cạn	Thay hoặc sạc pin sớm
đỏ (1 vạch)	Bộ nguồn cạn điện	Thay hoặc sạc pin

Biểu tượng Smartphone (21)	Ý nghĩa/Nguyên nhân
----------------------------	---------------------

–	Bằng công nghệ vô tuyến Bluetooth® , các thông tin khác có thể khả dụng tại đó trong trường hợp thiết bị đầu cuối di động được kết nối.
---	--

Hiển thị nhiệt độ (22)	Ý nghĩa/Nguyên nhân	Cách khắc phục
Vàng	Nhiệt độ hoạt động của pin hoặc của dụng cụ điện tăng rõ rệt, công suất bị giảm	Hãy để nguội dụng cụ điện hoặc thay pin bị quá nhiệt
Màu đỏ	Nhiệt độ hoạt động của pin hoặc của dụng cụ điện bị vượt quá, dụng cụ điện được tắt để bảo vệ	Hãy để nguội dụng cụ điện hoặc thay pin bị quá nhiệt

Chọn chế độ làm việc

Hãy nhấn nút **(19)** liên tục để chọn chế độ làm việc cho đến khi chế độ làm việc do bạn mong muốn bật sáng.

Hướng dẫn: Trong chế độ làm việc **Auto** và **Soft** các chức năng được cài đặt trước. Trong chế độ làm việc **Favorite** (Mục ưa thích) có thể định cấu hình các chức năng đã cài đặt trước mỗi ứng dụng Smartphone.

Hiển thị chế độ làm việc Chức năng (18)

Auto

chiếu sáng

Chế độ làm việc **Auto**: **khởi động nhanh hơn, có kiểm soát** đến công suất tối đa

- Chế độ vận hành „Khoan búa“ (Khởi động êm Electronic Precision Control): khởi động nhanh hơn, có kiểm soát tới công suất tối đa
- Chế độ ngắt nhanh (KickBack Control) hoạt động
- Chế độ vận hành „Đục“ (Khởi động êm Adaptive Speed Control): khởi động nhanh hơn, có kiểm soát tới công suất tối đa

Favorite

chiếu sáng

Chế độ làm việc **Favorite** (Mục ưa thích): **cấu hình cá nhân mỗi ứng dụng Smartphone** (chỉ **3 611 J17 0..** kết hợp với **Bluetooth® Low Energy Module GCY 42**)

Các cài đặt sau đây **được định cấu hình trước**:

- Chế độ vận hành „Khoan búa“ (Khởi động êm Electronic Precision Control): khởi động có kiểm soát tới công suất giảm, trung bình
- Chế độ ngắt nhanh (KickBack Control) hoạt động
- Chế độ vận hành „Đục“ (Khởi động êm Adaptive Speed Control): khởi động nhanh nhất có thể tới công suất tối đa

Soft

chiếu sáng

Chế độ làm việc **Soft**: **công suất giảm để gia công vật liệu nhạy cảm**

- Chế độ vận hành „Khoan búa“ (Khởi động êm Electronic Precision Control): khởi động chậm, có kiểm soát mạnh tới công suất giảm, thấp
- Chế độ ngắt nhanh (KickBack Control) hoạt động
- Chế độ vận hành „Đục“ (Khởi động êm Adaptive Speed Control): khởi động chậm, có kiểm soát mạnh tới công suất giảm

Các chức năng kết nối

Các chức năng kết nối sau đây của dụng cụ điện sẽ khả dụng khi kết hợp với **Bluetooth® Low Energy Module GCY 42**:

- Đăng ký và cá nhân hóa
- Kiểm tra trạng thái, phát các thông báo cảnh báo
- Các thông tin và cài đặt chung
- Quản lý

Để biết thông tin về **Bluetooth® Low Energy Module GCY 42**, hãy đọc hướng dẫn vận hành đi kèm.

Hướng Dẫn Sử Dụng

- ▶ **Dụng cụ điện có Bluetooth® Low Energy Module GCY 42 được trang bị một giao diện sóng vô tuyến. Hãy chú ý các giới hạn địa điểm hoạt động ví dụ như trên máy bay hoặc bệnh viện.**

- ▶ Trong các vùng, mà công nghệ sóng vô tuyến Bluetooth® không được phép sử dụng, phải tháo Bluetooth® Low Energy Module GCY 42 và pin nút áo.

Hướng dẫn: Nắp che (15) chỉ có thể được đóng an toàn, nếu Bluetooth® Low Energy Module GCY 42 và pin nút áo ở trong dụng cụ điện.

- Để **hủy kích hoạt** Bluetooth® Low Energy Module GCY 42 hãy vận pin nút áo hoặc đặt lớp cách điện giữa pin nút áo và Bluetooth® Low Energy Module GCY 42.
- Hãy đóng nắp che (15), để không cho bụi bẩn xâm nhập.

Khớp Ly Hợp Chống Quá Tải

- ▶ Nếu dụng cụ lắp trong máy bị kẹt hay kẹt, lực truyền động đến trục khoan bị ngăn lại. Luôn giữ chặt dụng cụ điện bằng hai tay và đứng vững vì khi dụng cụ hoạt động sẽ phát sinh lực.
- ▶ Hãy tắt dụng cụ điện và tháo dụng cụ gài nếu dụng cụ điện bị vướng. Khi mở máy mà dụng cụ ứng dụng bị kẹt cứng, lực xoắn vận cao có thể xảy ra.

Chế độ ngắt nhanh (Kickback Control)



Chế độ ngắt nhanh (Kickback Control) sẽ cung cấp cách kiểm soát dụng cụ điện tốt hơn và qua đó làm tăng mức độ bảo vệ người dùng so với các dụng cụ điện không có Kickback Control. Ở những vòng quay đột ngột và không thể đoán trước của dụng cụ điện, dụng cụ điện sẽ tắt trục máy khoan, hiển thị ngắt nhanh (17) sáng đỏ và đèn làm việc (11) nhấp nháy. Khi chế độ ngắt nhanh được kích hoạt, hiển thị trạng thái (20) nhấp nháy đỏ.

- Để **khởi động lại** hãy thả nút bật tắt (9) và nhấn lại lần nữa.

Kiểm soát Độ chính xác Điện tử (ECP)

ECP hỗ trợ bạn khi khởi động khoan và khi làm việc có va đập trong vật liệu nhạy cảm do quá trình chạy đà chậm số vòng quay làm việc để đảm bảo làm việc chính xác.

Điều khiển tốc độ bằng điện (Điều khiển tốc độ thích ứng, Adaptive Speed Control) trong chế độ „Đục“



Để điều khiển tốt hơn và khởi động chính xác, dụng cụ điện sẽ bắt đầu với tốc độ thấp và sau đó tăng nhanh đến tốc độ được cài đặt. Điều khiển tốc độ bằng điện được kích hoạt tự động khi khởi động dụng cụ điện.

Bộ phận giảm chấn



Bộ phận giảm chấn tích hợp sẽ giảm các rung động xuất hiện.

- ▶ Không được tiếp tục sử dụng dụng cụ điện khi bộ phận giảm chấn đã bị hỏng.

Bảo Dưỡng và Bảo Quản

Bảo Dưỡng Và Làm Sạch

- ▶ Trước khi tiến hành bất cứ công việc gì với máy (ví dụ bảo dưỡng, thay dụng cụ v.v..) cũng như khi vận chuyển hay lưu kho, tháo pin ra khỏi dụng cụ điện. Có nguy cơ gây thương tích khi vô tình làm kích hoạt công tắc Tắt/Mở.
- ▶ Để được an toàn và máy hoạt động đúng chức năng, luôn luôn giữ máy và các khe thông gió được sạch.
- ▶ Thay chụp ngăn bụi bị hỏng ngay lập tức. Chúng tôi khuyến nghị việc thay thế này do một đại lý phục vụ hậu mãi thực hiện.
- Hãy làm sạch phần lắp dụng cụ (2) sau khi dùng.

Dịch vụ hỗ trợ khách hàng và tư vấn sử dụng

Bộ phận phục vụ hàng sau khi bán của chúng tôi trả lời các câu hỏi liên quan đến việc bảo dưỡng và sửa chữa các sản phẩm cũng như phụ tùng thay thế của bạn. Sơ đồ mô tả và thông tin về phụ tùng thay thế cũng có thể tra cứu theo dưới đây:

www.bosch-pt.com

Đội ngũ tư vấn sử dụng của Bosch sẽ giúp bạn giải đáp các thắc mắc về sản phẩm và phụ kiện.

Trong tất cả các phản hồi và đơn đặt phụ tùng, xin vui lòng luôn luôn nhập số hàng hóa 10 chữ số theo nhãn của hàng hóa.

Việt Nam

CN CÔNG TY TNHH BOSCH VIỆT NAM TẠI TP.HCM

Tầng 14, Ngôi Nhà Đức, 33 Lê Duẩn

Phường Bến Nghé, Quận 1, Thành Phố Hồ Chí Minh

Tel.: (028) 6258 3690

Fax: (028) 6258 3692 - 6258 3694

Hotline: (028) 6250 8555

Email: tuvankhachhang-pt@vn.bosch.com

www.bosch-pt.com.vn

www.baohanhbosch-pt.com.vn

Xem thêm địa chỉ dịch vụ tại:

www.bosch-pt.com/serviceaddresses

Vận chuyển

Pin Li-Ion được khuyến nghị là đối tượng phải tuân theo các qui định của Pháp Luật về Hàng Hóa Nguy Hiểm. Người sử dụng có thể vận chuyển pin

hộp khối bằng đường bộ mà không cần thêm yêu cầu nào khác.

Khi được vận chuyển thông qua bên thứ ba (vd. vận chuyển bằng đường hàng không hay đại lý giao nhận), phải tuân theo các yêu cầu đặc biệt về đóng gói và dán nhãn. Phải tham vấn chuyên gia về hàng hóa nguy hiểm khi chuẩn bị gói hàng.

Chỉ gửi pin hợp khối khi vỏ ngoài không bị hư hỏng. Dán băng keo hay che kín các điểm tiếp xúc hở và đóng gói pin hợp khối theo cách sao cho pin không thể xô dịch khi nằm trong bao bì. Ngoài ra, xin vui lòng chấp hành các quy định chi tiết có thể được bổ sung thêm của quốc gia.

Sự thái độ



Dụng cụ điện, pin, phụ kiện và bao bì cần được tái sử dụng theo quy định về môi trường.



Bạn không được ném dụng cụ điện và pin vào thùng rác gia đình!

Pin/ắc quy:

Li-ion:

Tuân thủ những hướng dẫn trong phần vận chuyển (xem „Vận chuyển“, Trang 97).

مخصص للاستعمال الخارجي من خطر الصدمات الكهربائية.

- ◀ **إن لم يكن بالإمكان تجنب تشغيل العدة الكهربائية في الأجواء الرطبة، فاستخدم مفتاح للوقاية من التيار المتخلف.** إن استخدام مفتاح للوقاية من التيار المتخلف يقلل خطر الصدمات الكهربائية.

أمان الأشخاص

- ◀ **كن يقظا وانتبه إلى ما تفعله واستخدم العدة الكهربائية بتعقل.** لا تستخدم عدة كهربائية عندما تكون متعبا أو عندما تكون تحت تأثير المخدرات أو الكحول أو الأدوية. عدم الانتباه للحظة واحدة عند استخدام العدة الكهربائية قد يؤدي إلى إصابات خطيرة.

- ◀ **قم لارتداء تجهيزات الحماية الشخصية. وارتد دائما نظارات واقية.** يعد ارتداء تجهيزات الحماية الشخصية، كقناع الوقاية من الغبار وأحذية الأمان الواقية من الانزلاق والحدوث أو واقية الأذنين، حسب ظروف استعمال العدة الكهربائية، من خطر الإصابة بجروح.

- ◀ **تجنب التشغيل بشكل غير مقصود.** تأكد من كون العدة الكهربائية مطفأة قبل توصيلها بالتيار الكهربائي و/أو بالمركم، وقبل رفعها أو حملها. إن كنت تضع إصبعك على المفتاح أثناء حمل العدة الكهربائية أو إن وصلت الجهاز بالشبكة الكهربائية بينما لامفتاح على وضع التشغيل، قد يؤدي إلى وقوع الحوادث.

- ◀ **انزع أداة الضبط أو مفتاح الربط قبل تشغيل العدة الكهربائية.** قد تؤدي الأداة أو المفتاح المتواجد في جزء دوار من الجهاز إلى الإصابة بجروح.

- ◀ **تجنب أوضاع الجسم غير الطبيعية.** قف بأمان وحافظ على توازنك دائما. سيسمح لك ذلك بالتمكّن في الجهاز بشكل أفضل في المواقف الغير متوقعة.

- ◀ **قم بارتداء ثياب مناسبة.** لا ترتد الثياب الفضفاضة أو الحلى. احرص على إبقاء الشعر والملابس بعيدا عن الأجزاء المتحركة. قد تتشابك الثياب الفضفاضة والحلى والشعر الطويل بالأجزاء المتحركة.

- ◀ **إن جاز تركيب تجهيزات شفط وتجميع الغبار، فتأكد من أنها موصولة وبأنه يتم استخدامها بشكل سليم.** قد يقلل استخدام تجهيزات لشفط الغبار من المخاطر الناتجة عن الغبار.

- ◀ **لا تستخدم العدة الكهربائية بلا مبالاة وتجاهل قواعد الأمان الخاصة بها نتيجة لتعودك على استخدام العدة الكهربائية وكثرة استخدامها.** فقد يتسبب الاستعمال دون حرص في حدوث إصابة بالغة تحدث في أجزاء من الثانية.

حسن معاملة واستخدام العدد الكهربائية

- ◀ **لا تفرط بتحميل الجهاز. استخدم لتفنيذ أشغالك العدة الكهربائية المخصصة لذلك.** إنك تعمل بشكل أفضل وأكثر أماناً بواسطة العدة الكهربائية الملائمة في مجال الأداء المذكور.
- ◀ **لا تستخدم العدة الكهربائية إن كان مفتاح تشغيلها تالف.** العدة الكهربائية التي لم يعد من

عربي

إرشادات الأمان

الإرشادات العامة للأمان بالعدد الكهربائية

- ◀ **تحذير** اطلع على كافة تحذيرات الأمان والتعليمات والصور والمواصفات المرفقة بالعدة الكهربائية. عدم اتباع التعليمات الواردة أدناه قد يؤدي إلى حدوث صدمة كهربائية، إلى نشوب حريق و/أو الإصابة بجروح خطيرة.

احتفظ بجميع الملاحظات التحذيرية والتعليمات للمستقبل.

يقصد بمصطلح «العدة الكهربائية» المستخدم في الملاحظات التحذيرية، العدد الكهربائي الموصولة بالشبكة الكهربائية (بواسطة كابل الشبكة الكهربائية) وأيضا العدد الكهربائي المزودة بمركم (دون كابل الشبكة الكهربائية).

الأمان بمكان الشغل

- ◀ **حافظ على نظافة مكان شغلك وإضاءته بشكل جيد.** الفوضى في مكان الشغل ونطاقات العمل غير المضأة قد تؤدي إلى وقوع الحوادث.

- ◀ **لا تشغل بالعدة الكهربائية في نطاق معرض لخطر الانفجار مثل الأماكن التي تتوفر فيه السوائل أو الغازات أو الأعبئة القابلة للاشتعال.** العدد الكهربائي تولد شررا قد يتطاير، فيشعل الأعبئة والأبخرة.

- ◀ **حافظ على بقاء الأطفال وغيرهم من الأشخاص بعيدا عندما تستعمل العدة الكهربائية.** تشتيت الانتباه قد يتسبب في فقدان السيطرة على الجهاز.

الأمان الكهربائي

- ◀ **يجب أن يتلائم قابس العدة الكهربائية مع المقبس.** لا يجوز تغيير القابس بأي حال من الأحوال. لا تستعمل القوايس المهائية مع العدد الكهربائية المؤرّضة (ذات طرف أرضي). تخفّض القوايس التي لم يتمّ تغييرها والمقابس الملائمة من خطر الصدمات الكهربائية.

- ◀ **تجنب ملامسة جسمك للأسطح المؤرّضة كالأنابيب والمبردات والمواقد أو التلّاجات.** يزداد خطر الصدمات الكهربائية عندما يكون جسمك مؤرّض أو موصل بالأرضي.

- ◀ **أبعد العدة الكهربائية عن الأمطار أو الرطوبة.** يزداد خطر الصدمات الكهربائية إن تسرب الماء إلى داخل العدة الكهربائية.

- ◀ **لا تسيّ استعمال الكابل.** لا تستخدم الكابل في حمل العدة الكهربائية أو سحبها أو سحب القابس من المقبس. احرص على إبعاد الكابل عن الحرارة والزيت والحواف الحادة أو الأجزاء المتحركة. تزيد الكابلات التالفة أو المتشابكة من خطر الصدمات الكهربائية.

- ◀ **عند استخدام العدة الكهربائية خارج المنزل اقتصر على استخدام كابلات التمديد الصالحة للاستعمال الخارجي.** يقلل استعمال كابل تمديد

- ذلك. قد يؤدي سائل المركم المتسرب إلى تهيج البشرة أو إلى الاحتراق.
- ◀ لا تستخدم عدة أو مركم تعرضاً لأضرار أو للتعديل. البطاريات المعرضة لأضرار أو لتعدلات قد ينتج عنها أشياء لا يمكن التنبؤ بها، قد تسبب نشوب حريق أو حدوث انفجار أو إصابات.
- ◀ لا تعرض المركم أو العدة للهب أو لدرجة حرارة زائدة. التعرض للهب أو لدرجة حرارة أعلى من 130 °م قد يتسبب في انفجار.
- ◀ اتبع تعليمات الشحن ولا تقم بشحن المركم أو العدة خارج نطاق درجة الحرارة الممدد في التعليمات. الشحن بشكل غير صحيح أو في درجات حرارة خارج النطاق الممدد قد يعرض المركم لأضرار ويزيد من مخاطر الحريق.

الخدمة

- ◀ احرص على إصلاح عدتك الكهربائية فقط بواسطة العمال المتخصصين وباستعمال قطع الغيار الأصلية فقط. يضمن ذلك المحافظة على أمان الجهاز.
- ◀ لا تقم بإجراء أعمال خدمة على المراكم التالفة. أعمال الخدمة على المراكم يجب أن تقوم بها الجهة الصانعة فقط أو مقدم الخدمة المعتمد.

إرشادات الأمان للمطابق

تعليمات الأمان لكافة التطبيقات

- ◀ احرص على ارتداء واقيات للأذنين. التعرض للضوضاء قد يتسبب في فقدان السمع.
- ◀ استخدم المقبض (المقابض) الإضافية إذا كانت العدة مزودة بها. فقدان السيطرة على المعدة قد يتسبب في حدوث إصابات.
- ◀ أمسك العدة الكهربائية من أسطح المسك المعزولة عند القيام بأعمال قد يترتب عليها ملامسة ملحق القطع لأسلاك كهربائية غير ظاهرة. ملامسة ملحق القطع لسلك «مكهرب» قد يتسبب في مرور التيار في الأجزاء المعدنية من العدة وجعلها «مكهربة» مما قد يصيب المشغل بصدمة كهربائية.
- تعليمات الأمان عند استخدام ريش ثقب طويلة مع مطارق دوارة
- ◀ احرص دائماً على بدء الثقب بسرعة منخفضة بحيث تكون رأس الريشة ملامسة لقطعة الشغل. فعلى السرعات العالية ستكون الريشة معرضة للثني في حالة دورانها بشكل حر دون لمس قطعة الشغل، مما قد يؤدي لوقوع إصابات.
- ◀ لا تضغط إلا على خط واحد مع الريشة، ولا تضغط بشكل زائد. فقد تنتهي الريشة، وتعرض للكسر أو تسبب فقدان السيطرة، مما يؤدي لوقوع إصابات.

إرشادات الأمان الإضافية

- ◀ استخدم أجهزة تنقيب ملائمة للعثور على خطوط الإمداد غير الظاهرة، أو استعن بشركة الإمداد المحلية. ملامسة الخطوط الكهربائية قد تؤدي إلى اندلاع النار وإلى الصدمات الكهربائية. حدوث أضرار بخطر الغاز قد يؤدي إلى حدوث

- الممكن التحكم بها عن طريق مفتاح التشغيل والإطفاء تعتبر خطيرة ويجب أن يتم إصلاحها.
- ◀ اسحب القابس من المقبس و/أو اخلع المركم، إذا كان قابلاً للخلع، قبل ضبط الجهاز وقبل استبدال الملحقات أو قبل تخزين الجهاز. تمنع هذه الإجراءات وقائية تشغيل العدة الكهربائية بشكل غير مقصود.
- ◀ احتفظ بالعدد الكهربائية التي لا يتم استخدامها بعيداً عن متناول الأطفال. لا تسمح باستخدام العدة الكهربائية لمن لا خبرة له بها أو لمن لم يقرأ تلك التعليمات. العدد الكهربائية خطيرة إن تم استخدامها من قبل أشخاص دون خبرة.
- ◀ اعتن بالعدة الكهربائية والملحقات بشكل جيد. تأكد أن أجزاء الجهاز المتحركة مركبة بشكل سليم وغير مستعصية عن الحركة، وتفحص ما إن كانت هناك أجزاء مكسورة أو في حالة تؤثر على سلامة أداء العدة الكهربائية. ينبغي إصلاح هذه الأجزاء التالفة قبل إعادة تشغيل الجهاز. الكثير من المودث مصدرها العدد الكهربائية التي تتم صيانتها بشكل رديء.
- ◀ احرص على إبقاء عدد القطع نظيفة وحادة. إن عدد القطع ذات حواف القطع المادة التي تم صيانتها بعناية تتكلم بشكل أقل ويمكن توجيهها بشكل أيسر.
- ◀ استخدم العدد الكهربائية والتوايح وريش الشغل إلخ. وفقاً لهذه التعليمات. تراعى أثناء ذلك ظروف الشغل والعمل المراد تنفيذه. استخدام العدد الكهربائية لغير الأشغال المخصصة لأجلها قد يؤدي إلى حدوث الحالات الخطيرة.
- ◀ احرص على إبقاء المقابض وأسطح المسك جافة ونظيفة وخالية من الزيوت والشحوم. المقابض وأسطح المسك الزلقة لا تتبع التشغيل والتحكم الآمن في العدة في المواقف غير المتوقعة.
- حسن معاملة واستخدام العدد المزودة بمركم اشحن المراكم فقط في أجهزة الشحن التي يُصنع باستخدامها من طرف المنتج. قد يتسبب جهاز الشحن المخصصة لنوع معين من المراكم في خطر الحريق إن تم استخدامه مع نوع آخر من المراكم.
- ◀ استخدم العدد الكهربائية فقط مع المراكم المصممة لهذا الغرض. قد يؤدي استخدام المراكم الأخرى إلى إصابات وإلى خطر نشوب الحرائق.
- ◀ حافظ على إبعاد المركم الذي لا يتم استعماله عن مشابك الورق وقطع النقود المعدنية والمفاتيح والمسامير واللواكب أو غيرها من الأغراض المعدنية الصغيرة التي قد تقوم بتوصيل الملامسين ببعضهما البعض. قد يؤدي تقصير الدارة الكهربائية بين ملامسي المركم إلى الاحتراق أو إلى اندلاع النار.
- ◀ قد يتسرب السائل من المركم في حالة سوء الاستعمال. تجنب ملامسته. اشطفه بالماء في حال ملامسته بشكل غير مقصود. إن وصل السائل إلى العينين، فراجع الطبيب إضافة إلى

انفجارات. اختراق خط الماء يتسبب في وقوع أضرار مادية.

انتظر إلى أن تتوقف العدة الكهربائية عن الحركة قبل أن تضعها جانباً. قد تتكلم عدة الشغل فتؤدي إلى فقدان السيطرة على العدة الكهربائية.

اسم ماركة Bluetooth® وشعاراتها هي علامات تجارية مسجلة، وهي ملك لشركة Bluetooth SIG Inc. أي استخدام لاسم الماركة/شعارها من قبل شركة Robert Bosch Power Tools GmbH يتم من خلال ترخيص.

احرص على تأمين قطعة الشغل. قطعة الشغل المثبتة بواسطة تجهيزة شد أو بواسطة الملزمة مثبتة بأمان أكبر مما لو تم الإمساك بها بواسطة يدك.

قد تنطلق أبخرة عند تلف المركم واستخدامه بطريقة غير ملائمة. يمكن أن يحترق المركم أو يتعرض للانفجار. أمن توفر الهواء النقي وراجع الطبيب إن شعرت بشكوى. قد تهيج هذه الأبخرة المجاري التنفسية.

لا تفتح المركم. يتشكل خطر تقصير الدائرة الكهربائية.

يمكن أن يتعرض المركم لأضرار من خلال الأشياء المدببة مثل المسامير والمفكات أو من خلال تأثير القوى الخارجية. وقد يؤدي هذا إلى تقصير الدائرة الكهربائية الداخلية واحتراق المركم أو خروج الأدخنة منه أو انفجاره وتعرضه لسخونة مفرطة.

اقتصر على استخدام المركم في منتجات الجهة الصانعة. يتم حماية المركم من فُرط التخميل الخطيرة بهذه الطريقة فقط دون غيرها.

احرص على حماية المركم من الحرارة، بما ذلك التعرض لأشعة الشمس باستمرار ومن النار والانساخ والماء والرطوبة. حيث ينشأ خطر الانفجار وخطر حدوث دائرة قصر.

لا تقم بلمس أدوات الشغل أو أجزاء جسم الجهاز الملاصقة لها بعد التشغيل مباشرة. فقد تعرض هذه الأجزاء للسخونة أثناء التشغيل، مما يعرضك للاحتراق في حالة لمسها.

قد تتعرض أداة الشغل للإعاقة أثناء عملية الثقب. احرص على أن تكون في وضعية ثابتة، وأمسك الجهاز جيداً بكلتا يديك. وإلا فقد تفقد السيطرة على العدة الكهربائية.

كن حذراً أثناء أعمال الهدم باستخدام الأزميل. قد تتسبب قطع التكسير المتساقطة في إصابة الأشخاص المحيطين بك أو إصابتك أنت نفسك.

أمسك العدة الكهربائية جيداً بكلتا اليدين عند العمل، واحرص على أن تكون في وضعية ثابتة. يتم توجيه العدة الكهربائية بأمان بواسطة اليدين اللتين.

احترس! عند استخدام العدة الكهربائية المزودة بتقنية Bluetooth® قد يتسبب هذا في حدوث تشويش على الأجهزة والأنظمة والطائرات والأجهزة الطبية الأخرى (على سبيل المثال منظم ضربات القلب، السماعات الطبية). كما لا يمكن أيضاً استبعاد حدوث أضرار للأشخاص أو الحيوانات المتواجدين في النطاق القريب. لا تستخدم العدة الكهربائية المزودة بتقنية Bluetooth® بالقرب من الأجهزة الطبية ومحطات التزود بالوقود ومصانع الكيماويات والمناطق التي يتهددها خطر

الرموز

قد تكون الرموز التالية ذات أهمية من أجل استعمال عدتك الكهربائية. يرجى حفظ الرموز ومعناها. يساعدك تفسير الرموز بشكل صحيح على استعمال عدتك الكهربائية بطريقة أفضل وأكثر أماناً.

الرموز ومعناها

لتغيير عدة الشغل اسحب جلبة الإقفال إلى الخلف.



وصف المنتج والأداء

اقرأ جميع إرشادات الأمان والتعليمات. ارتكاب الأخطاء عند تطبيق إرشادات الأمان والتعليمات، قد يؤدي إلى حدوث صدمات الكهربائية أو إلى نشوب الحرائق و/أو الإصابة بجروح خطيرة.



يرجى الرجوع إلى الصور الموجودة في الجزء الأول من دليل التشغيل.

الاستعمال المخصص

العدة الكهربائية مخصصة للثقب المرفق بالطرق في الخرسانة والجدران والحجر وأيضاً لإجراء أعمال النحت. يمكن نقل البيانات والإعدادات الخاصة بالعدة الكهربائية عندما يكون الموديل Bluetooth® Low Energy Module GCY 42 مستخدماً وذلك عن طريق تقنية Bluetooth® اللاسلكية، حيث يتم النقل بين العدة الكهربائية والجهاز الجوال.

الأجزاء المصورة

يشير ترقيم الأجزاء المصورة إلى الصورة المعروضة للعدة الكهربائية في صفحة الرسوم.

- (1) ظرف ريش الثقب SDS max
- (2) حاضن العدة SDS max
- (3) غطاء الوقاية من الغبار
- (4) جلبة إقفال
- (5) مفتاح إيقاف الدوران
- (6) كاتم الاهتزازات
- (7) زر تثبيت مفتاح التشغيل والإطفاء
- (8) مقبض (سطح قبض معزول)

- (9) مفتاح التشغيل والإطفاء
(10) المرمك^(a)
(11) ضوء العمل
(12) مقبض إضافي (سطح قبض معزول)
(13) زر فك إقفال المرمك^(a)
(14) واجهة المستخدم
(15) غطاء الموديول Bluetooth® Low Energy Module GCY 42
(16) مبيان حالة شحن المرمك (واجهة المستخدم)
- (17) مبيان خاصية الإطفاء السريع (واجهة المستخدم)
(18) مبيان أوضاع العمل (واجهة المستخدم)
(19) زر اختيار وضع العمل (واجهة المستخدم)
(20) بيان حالة العدة الكهربائية (واجهة المستخدم)
(21) رمز الهاتف الذكي (واجهة المستخدم)
(22) مبيان درجة الحرارة (واجهة المستخدم)
- (a) لا يتضمن إطار التوريد الاعتيادي التوابع المصورة أو المشروحة. تجد التوابع الكاملة في برنامجنا للتوابع.

البيانات الفنية

مطرقة ثقب عاملة بمرمك		رقم الصنف
GBH 18V-40 C	GBH 18V-40 C	
3611 J17 1..	3611 J17 0..	
18	18	فلط =
3130-0	3130-0	دقيقة ¹
9,0	9,0	جول
360-0	360-0	دقيقة ¹
SDS max	SDS max	
^(c) -	^(b) ●	الموديول Bluetooth® Low Energy Modul GCY 42
قطر الثقب الأقصى:		
40	40	مم - الخرسانة
90	90	مم - خرسانة (مع طربوش ثقب مجوف)
7,4-8,4	7,4-8,4	كجم الوزن حسب EPTA-Procedure 01:2014 ^(d)
502	502	الطول
253	253	الارتفاع
35+ ... 0	35+ ... 0	درجة الحرارة المحيطة الموصى بها عند الشحن
50+ ... 20-	50+ ... 20-	درجة الحرارة المحيطة المسموح بها عند التشغيل ^(e) وعند التخزين
GBA 18V... ProCORE18V...	GBA 18V... ProCORE18V...	المراكم المتوافقة
ProCORE18V... ≤ 5,5 أمبير ساعة	ProCORE18V... ≤ 5,5 أمبير ساعة	المراكم الموصى بها للقدرة الكاملة
GAL 18... GAX 18... GAL 36...	GAL 18... GAX 18... GAL 36...	أجهزة الشحن الموصى بها
نقل البيانات		
Bluetooth® 4.2 (Low Energy) ^(f)	Bluetooth® 4.2 (Low Energy) ^(f)	Bluetooth®
8	8	مسافة الإشارة

مطرقة ثقب عاملة بمركم	GBH 18V-40 C	GBH 18V-40 C	متر	أقصى مدى للإشارة ^g
	30	30		

- (A) مفاصة عند درجة حرارة 20-25 °م مع مركم **GBA 18V 8.0Ah**.
- (B) سابق التركيب
- (C) يمكن التجهيز به لاحقاً
- (D) حسب المركم المستخدم
- (E) قدرة محدودة في درجات الحرارة > 0 °م و < 40 °م
- (F) يجب أن يكون الجهاز متوافق مع الأجهزة **Bluetooth®** منخفضة الطاقة (الإصدار 4.2) ويدعم وضع الوصول العام (GAP).
- (G) قد يختلف مدى الإرسال بدرجة كبيرة تبعاً للظروف الخارجية، بما في ذلك جهاز الاستقبال المستخدم. داخل الأماكن المغلقة ومن خلال الحواجز المعدنية (على سبيل المثال الجدران والأرفق والمقائن وما شابه) قد ينخفض مدى إرسال **Bluetooth®** بشكل كبير.

نوع المركم GBA 18V...



السعة	لمبة LED
100-60 %	ضوء مستمر 3 × أخضر
60-30 %	ضوء مستمر 2 × أخضر
30-5 %	ضوء مستمر 1 × أخضر
5-0 %	ضوء وماض 1 × أخضر

نوع المركم ProCORE18V...



السعة	لمبة LED
100-80 %	ضوء مستمر 5 × أخضر
80-60 %	ضوء مستمر 4 × أخضر
60-40 %	ضوء مستمر 3 × أخضر
40-20 %	ضوء مستمر 2 × أخضر
20-5 %	ضوء مستمر 1 × أخضر
5-0 %	ضوء وماض 1 × أخضر

ملاحظات للتعامل مع المركم بطريقة مثالية

- قم بحماية المركم من الرطوبة والماء.
- لا تقم بتخزين المركم إلا في نطاق درجة حرارة يقع بين 20 °م وحتى 50 °م. لا تترك المركم في السيارة في فصل الصيف مثلاً.
- نظف فتحات التهوية بالمركم من فترة لأخرى، بواسطة فرشاة طرية ونظيفة وجافة.
- إذا انخفضت فترة التشغيل بعد الشحن بدرجة كبيرة فهذا يعني أن المركم قد استهلك وأنه يجب استبداله.
- تراجع الإرشادات عند التخلص من العدد.

التركيب

- ◀ **إنزع المركم عن العدة الكهربائية قبل إجراء أي أعمال بالعدة الكهربائية (مثلاً: الصيانة، استبدال العدد وإلخ..) وأيضاً عند نقلها أو**

مركم

تبيع شركة **Bosch** العدد الكهربائية العاملة بمركم دون مركم أيضاً. يمكنك أن تعرف من العبوة ما إذا كان المركم موجود ضمن مجموعة التجهيزات الموردة مع العدة الكهربائية الخاصة بك.

شحن المركم

◀ **اقتصر على استخدام أجهزة الشحن المذكورة في المواصفات الفنية.** أجهزة الشحن هذه دون غيرها هي المتوائمة مع مركم أيونات الليثيوم المستخدم في عدتك الكهربائية.

ملحوظة: يتم تسليم مراكم أيونات الليثيوم مشحونة جزئياً وفقاً للوائح النقل الدولية. لضمان قدرة أداء المركم الكاملة، يتوجب شحن المركم بشكل كامل قبل الاستعمال لأول مرة.

تركيب المركم

أدخل المركم المشحون في موضع تثبيت المركم إلى أن يثبت بشكل ملموس.

نزع المركم

لخلع المركم اضغط على زر تحرير المركم وأخرج المركم. **لا تستخدم القوة أثناء ذلك.**

يمتاز المركم بدرجتي إقفال اثنتين، تمنعان سقوط المركم للخارج في حال ضغط زر فك إقفال المركم بشكل غير مقصود. يتم تثبيت المركم بواسطة نابض ما دام مركباً في العدة الكهربائية.

مبين حالة شحن المركم

تشير مصابيح الدايمود الخضراء الخاصة بمبين حالة شحن المركم لحالة شحن المركم. لأسباب تتعلق بالسلامة فإنه لا يمكن الاستعلام عن حالة الشحن إلا والعدة الكهربائية متوقفة.

اضغط على زر مبين حالة الشحن أو لعرض حالة الشحن. يمكن هذا أيضاً والمركم مخرج. إذا لم يضيء أي مصباح دايمود بعد الضغط على زر مبين حالة الشحن، فهذا يعني أن المركم تالف ويجب تغييره.

تتم الإشارة إلى حالة شحن المركم في واجهة المستخدم بمبيئات الحالة.

- ادفع جبلة الإقفال (4) إلى الخلف ولقم عدة الشغل في حاضن العدة أثناء فتلها. دع جبلة الإقفال (4) مرة أخرى لتثبيت عدة الشغل.
- افحص ثبات الإقفال من خلال جذب العدة.
- فك عدة الشغل (انظر الصورة D)
- ادفع لبيسة الإقفال (4) إلى الخلف وانزع عدة الشغل.

شفط الغبار/النشارة

- إن أغبرة بعض المواد كالطلاء الذي يحتوي على الرصاص، وبعض أنواع الخشب والفلزات والمعادن، قد تكون مضرّة بالصحة. إن ملامسة أو استنشاق الأغبرة قد يؤدي إلى ردود فعل زائدة المساسية و/أو إلى أمراض المجاري التنفسية لدى المستخدم أو لدى الأشخاص المتواجدين على مقربة من المكان.
- تعتبر بعض الأغبرة المعينة، كأغبرة البلوط والزان من مسببات السرطان، وبالأخص عند اتصالها بالمواد الإضافية الخاصة بمعالجة الخشب (ملح حامض الكروميك، المواد الحافظة للخشب). يجوز أن يتم معالجة المواد التي تحتوي على الأسبستوس من قبل العمال المتخصصين فقط دون غيرهم.
- حافظ على تهوية مكان الشغل بشكل جيد.
- ينصح بارتداء قناع ووقاية للتنفس من فئة المرشح P2.

تراجع الأحكام السارية في بلدكم بالنسبة للمواد المرغوب معالجتها.

- ◀ **تجنب تراكم الغبار بمكان العمل.** يجوز أن تشتغل الأغبرة بسهولة.

التشغيل

بدء التشغيل

- ◀ احرص على أن يكون الغطاء (15) الخاص بالموديول Bluetooth® Low Energy Module GCY 42 مغلق أثناء التشغيل. وبذلك تتجنب دخول الغبار.

ضبط نوع التشغيل (انظر الصورة E)

باستخدام مفتاح إيقاف الدوران (5) اختر نوع تشغيل العدة الكهربائية.

- لتغيير نوع التشغيل أدر مفتاح إيقاف الدوران (5) إلى الوضع المرغوب.

إرشاد: قم بتغيير نوع التشغيل فقط عندما تكون العدة الكهربائية مطفأة. وإلا، فقد يتم إتلاف العدة الكهربائية.

إرشاد: في حالة التحويل إلى نوع تشغيل آخر بينما مفتاح التشغيل والإطفاء مشغل يتم إطفاء العدة الكهربائية.

وضع الثقب الطريقي

إذا لم تدر عدة الشغل على الفور دع العدة الكهربائية تدور ببطء إلى أن تدور معها عدة الشغل.



تخزينها. هناك خطر إصابة بجروح عند الضغط على مفتاح التشغيل والإطفاء بشكل غير مقصود.

- ◀ **قبل إجراء أي أعمال على العدة الكهربائية (مثل الصيانة، تغيير الأدوات وما شابه) وعند النقل والتخزين اضغط على زر التثبيت لتثبيت زر التشغيل والإطفاء.** هناك خطر إصابة بجروح عند الضغط على مفتاح التشغيل والإطفاء بشكل غير مقصود.

استخدام الموديول Bluetooth® Low Energy Module

GCY 42

(ملحق تكميلي)

للمعلومات حول الموديول

Bluetooth® Low Energy Module

GCY 42

اقرأ دليل الاستعمال المعني.

مقبض إضافي

- ◀ **استخدم العدة الكهربائية فقط مع المقبض الإضافي (12).**

◀ **تأكد دائمًا أن المقبض الإضافي مربوط بإحكام.** وإلا فقد تفقد السيطرة على العدة الكهربائية في أي وقت أثناء العمل.

تحريك المقبض الإضافي (انظر الصورة B)

يمكنك تحريك المقبض الإضافي (12) كما تريد للوصول إلى وضع عمل آمن ومريح.

- أدر قطعة المقبض السفلية بالمقبض الإضافي (12) عكس اتجاه عقارب الساعة وحرك المقبض الإضافي (12) إلى الوضع المرغوب. أدر قطعة القبض السفلية بالمقبض الإضافي (12) بعد ذلك في اتجاه حركة عقارب الساعة بإحكام.
- انتبه إلى دخول سير شد المقبض الإضافي في الحز المخصص له بالهيكل.

اختيار طرف ريش الثقب والعدد

لأعمال التثقيب المرفق بالطرق والنمت تحتاج إلى عدد SDS-max التي يتم تركيب طرف ريش الثقب فيها.

استبدال العدد

يعمل غطاء الوقاية من الغبار (3) على منع دخول غبار الثقب إلى حاضن العدة أثناء الاستخدام. احرص أثناء استخدام العدة الكهربائية على عدم حدوث أضرار بغطاء الوقاية من الغبار (3).

- ◀ **يجب تغيير غطاء الوقاية من الغبار التالف على الفور.** وينصح أن يتم ذلك من قبل مركز خدمة العملاء.

استبدال العدد (SDS-max)

تركيب عدة الشغل (انظر الصورة C)

يمكنك باستخدام حاضن العدة SDS-max يمكنك تغيير عدة الشغل بكل سهولة وراحة دون استخدام عدد إضافية.

- نظف طرف الإدخال بعدة الشغل وشحمه قليلاً.

ضبط عدد اللفات/عدد الطرقات

يمكنك أن تتحكم بعدد اللفات/عدد الطرقات بالعدة الكهربائية قيد التشغيل دون تدريج، حسب مدى الضغط على مفتاح التشغيل والإطفاء (9). يؤدي الضغط الخفيف على مفتاح التشغيل والإطفاء (9) إلى عدد لفات/طرقات منخفض. ويرتفع عدد اللفات/الطرقات بزيادة الضغط. يمكنك التحكم في عدد اللفات أيضًا من خلال واجهة المستخدم أو تطبيق الهاتف الذكي.

تغيير وضع الإزميل (إقفال - تغيير)

يمكنك تثبيت الإزميل في 16 أوضاع. ويمكنك بذلك أن تتخذ وضعية الشغل الأنسب في كل حالة.

- ركب الإزميل في حاضن العدة.
- أدر مفتاح إيقاف الدوران (5) إلى وضع „Vario-Lock“ (القفل المتغير).
- أدر عدة الشغل إلى وضع الإزميل المرغوب.
- أدر مفتاح إيقاف الدوران (5) إلى وضع „النحت“. يتم إقفال حاضن العدة بذلك.

النحت باستخدام وظيفة التثبيت

للقيام بالنحت لفترة طويلة دون الضغط على مفتاح التشغيل والإطفاء (9) بشكل مستمر قم بتثبيت مفتاح التشغيل والإطفاء على نوع التشغيل «النحت».

- لغرض التثبيت اضغط على مفتاح التشغيل والإطفاء (9) حتى النهاية، واضغط في نفس الوقت على زر التثبيت (7).
- للإطفاء اضغط على زر التثبيت (7) مجدداً.

واجهة المستخدم (انظر الصورة F)

تتلخص وظيفة واجهة المستخدم (14) في اختيار وضع التشغيل وبيان حالة العدة الكهربائية.

وضع Vario-Lock لضبط وضع النحت



وضع النحت

التشغيل والإطفاء

- عند اللزوم قم بحل زر التثبيت (7) الخاص بمفتاح التشغيل والإطفاء.
- لغرض تشغيل العدة الكهربائية، اضغط على مفتاح التشغيل والإطفاء (9).
- يضيء مصباح العمل (11) عند الضغط على مفتاح التشغيل والإطفاء (9) بشكل جزئي أو كامل ويسمع بإضاءة مكان الشغل إن كانت ظروف الإضاءة غير ملائمة.
- لغرض إطفاء العدة الكهربائية اترك مفتاح التشغيل والإطفاء (9).
- لا تتوصل العدة الكهربائية إلى قدرة الطرق/قدرة الدق الكاملة عندما تكون درجات الحرارة منخفضة إلا بعد فترة زمنية معينة.

مبيئات الحالة

الحل	المعنى/السبب	مبيئات حالة العدة الكهربائية (20)
-	الحالة على ما يرام	أخضر
قم بتشغيل العدة الكهربائية على وضع دوران الأمامي، واركها حتى تبرد أو قم بتبديل المرمك أو شحنة	تم الوصول إلى مستوى حرج لدرجة الحرارة أو شحنة المرمك على وشك النفاد	أصفر
ترك العدة الكهربائية تبرد وقم بتغيير أو شحن المرمك	العدة الكهربائية ساخنة للغاية أو المرمك فارغ الشحنة	أحمر
اضغط على زر التثبيت مجدداً	تم الضغط على زر التثبيت في نوع التشغيل «الثقب المرفق بالطرق»	أحمر
قم بتشغيل العدة الكهربائية وأطفئها مرة أخرى	مفتاح إيقاف الدوران مضغوط أثناء التشغيل	
شحن المرمك أو استخدام نوع المرمك الموصى به	إعاقة المرمك، المرمك ضعيف للغاية	
- قم بتشغيل العدة الكهربائية وأطفئها مرة أخرى، أو أخرج المرمك وأعد تركيبه	خطأ عام	
إذا استمر حدوث الخطأ:		
- قم بإرسال العدة الكهربائية لخدمة العملاء		

الحل	المعنى/السبب	مبين حالة العدة الكهربائية (20)
قم بتشغيل العدة الكهربائية وأطفئها مرة أخرى	انطلقت خاصية الإطفاء السريع	يومض باللون الأحمر - بالاشتراك مع مبین خاصية الإطفاء السريع (17)
-	تقوم العدة الكهربائية بإنشاء اتصال بالجهاز الجوال ويتم إرسال أوضاع الضبط	وميض باللون الأزرق

الحل	المعنى/السبب	مبين حالة شحن المرمك (واجهة المستخدم) (16)
-	المرمك مشحون	أخضر (شريطان) إلى 5 شطرات)
قرب تغيير أو شحن المرمك	شحنة المرمك على وشك النفاد	باللون الأصفر (شرطة واحدة)
تغيير أو شحن المرمك	المرمك فارغ	أحمر (شرطة واحدة)

المعنى/السبب	رمز الهاتف الذكي (21)
عن طريق تقنية Bluetooth® اللاسلكية يمكن في حالة اتصال جهاز جوال بالعدة الكهربائية أن يتوفر مزيد من المعلومات.	-

الحل	المعنى/السبب	مبين درجة الحرارة (22)
اترك العدة الكهربائية حتى تبرد، أو قم بتغيير المرمك	ارتفاع درجة حرارة تشغيل المرمك أو العدة الكهربائية بشكل واضح، ويتم تقليل القدرة	أصفر
اترك العدة الكهربائية حتى تبرد، أو قم بتغيير المرمك	تجاوز درجة حرارة تشغيل المرمك أو العدة الكهربائية، يتم إطفاء العدة الكهربائية لحمايتها	أحمر

إرشاد: في أوضاع العمل **Auto** و **Soft** تكون الوظائف مضبوطة مسبقاً. في وضع العمل **Favorite** يمكن تهيئة الوظائف المضبوطة مسبقاً عن طريق تطبيق الهاتف الذكي.

اختيار وضع العمل
كرر الضغط على الزر (19) لاختيار وضع العمل، إلى أن يضيء وضع العمل المرغوب.

الوظائف	مبين وضع العمل (18)
وضع العمل Auto : ارتفاع محكوم أسرع في سرعة الدوران حتى أقصى قدرة - نوع التشغيل «الثقب الطرقي» (البدء بإدارة هادئة، Electronic Precision Control): ارتفاع محكوم أسرع في سرعة الدوران حتى أقصى قدرة - خاصية الإطفاء السريع (Kickback Control) فعالة - نوع التشغيل «النحت بالإزميل» (البدء بإدارة هادئة، Adaptive Speed Control): ارتفاع محكوم أسرع في سرعة الدوران حتى أقصى قدرة	Auto يضيء
وضع التشغيل Favorite : تهيئة شخصية عن طريق تطبيق الهاتف الذكي (فقط 3 611 J17 0.. بالارتباط مع موديول Bluetooth® Low Energy Module GCY 42)	Favorite يضيء
أوضاع الضبط الآتية سابقة التهيئة: - نوع التشغيل «الثقب الطرقي» (البدء بإدارة هادئة، Electronic Precision Control): ارتفاع محكوم في سرعة الدوران حتى قدرة متوسطة ومخفضة - خاصية الإطفاء السريع (Kickback Control) فعالة - نوع التشغيل «النحت بالإزميل» (البدء بإدارة هادئة، Adaptive Speed Control): ارتفاع بأسرع ما يمكن في سرعة الدوران حتى أقصى قدرة	Soft يضيء
وضع التشغيل Soft : قدرة مخفضة لمعالجة الخامات الحساسة	

مبين وضع العمل (18) الوظائف

- نوع التشغيل «الثقب الطرقي» (البدء بإدارة هادئة، Electronic Precision Control): ارتفاع بطيء ومحكوم للغاية في سرعة الدوران حتى قدرة قليلة ومخفضة
- خاصية الإطفاء السريع (Kickback Control) فعالة
- نوع التشغيل «النمت بالإزميل» (البدء بإدارة هادئة، Adaptive Speed Control): ارتفاع بطيء ومحكوم للغاية في سرعة الدوران حتى قدرة منخفضة

خاصية الإطفاء السريع (وظيفة Kickback Control)



تتبع خاصية الإطفاء السريع (Kickback Control) تمكماً أفضل في العدة الكهربائية وتزيد من درجة حماية المستخدم مقارنة بالعدد الكهربائي غير المزودة بوظيفة Kickback Control. في حالة الدوران المفاجئ وغير المتوقع للعدة الكهربائية حول محور الثقب تنطفئ العدة الكهربائية، ويضيء مبين خاصية الإطفاء السريع (17) باللون الأحمر ويومض ضوء العمل (11). في حالة تفعيل خاصية الإطفاء السريع يومض مبين الحالة (20) باللون الأحمر.

- لغرض إعادة التشغيل اترك مفتاح التشغيل والإطفاء (9) واضغط عليه مجدداً.

وظيفة التحكم الإلكتروني الدقيق (EPC)


تساعدك وظيفة EPC في الثقب والأعمال التي تتطلب الطرق في الفئات الحساسة، وذلك من خلال الارتفاع البطيء في سرعة الدوران وعدد لفات العمل لتنفيذ بالأعمال التي تتطلب الدقة.

وظيفة التحكم الإلكتروني في عدد اللفات (Adaptive Speed Control) في نوع التشغيل «النمت»

لتحكم أفضل ووضع بدء عمل دقيق تبدأ العدة الكهربائية بعدد لفات منخفض، بعدها تتم زيادته إلى عدد اللفات المحدد. يتم تفعيل وظيفة التحكم الإلكتروني في عدد اللفات أو توماتيكياً عند بدء العمل بالعدة الكهربائية.



كاتم الاهتزازات

يخفض كاتم الاهتزازات المركب الاهتزازات الناتجة. 

◀ لا تستمر باستعمال العدة الكهربائية في حال تلف عنصر كاتم الاهتزازات.

الصيانة والخدمة

الصيانة والتنظيف

◀ انزع المركب عن العدة الكهربائية قبل إجراء أي أعمال بالعدة الكهربائية (مثلاً: الصيانة، استبدال العدد وإلخ..). وأيضاً عند نقلها أو تخزينها. هناك خطر إصابة بجروح عند الضغط على مفتاح التشغيل والإطفاء بشكل غير مقصود.

وظائف الربط

بالارتباط مع الموديول Bluetooth® Low Energy Module GCY 42 تتوافر وظائف الربط التالية للعدة الكهربائية:

- التسجيل والمواءمة مع المتطلبات الشخصية
- اختبار الحالة، إصدار بلاغات التحذير
- المعلومات العامة والإعدادات
- الإدارة

للمعلومات حول الموديول

Bluetooth® Low Energy Module GCY 42

اقرأ دليل الاستعمال المعني.

إرشادات العمل

◀ العدة الكهربائية المزودة بموديول Bluetooth® Low Energy Module GCY 42 واجهة بينية لاسلكية. تراعى قيود التشغيل المحلية، على سبيل المثال في الطائرات أو المستشفيات.

◀ في النطاقات التي لا يجوز فيها استخدام تقنية Bluetooth® اللاسلكية يجب خلع الموديول Bluetooth® Low Energy Module GCY 42 والبطارية القرصية.

إرشاد: لا يمكن غلق الغطاء (15) بشكل آمن إلى عند وجود الموديول Bluetooth® Low Energy Module GCY 42 والبطارية القرصية في العدة الكهربائية.

- لغرض إيقاف تفعيل الموديول Bluetooth® Low Energy Module GCY 42 القرصية أو وضع عازلاً بين البطارية القرصية والموديول Bluetooth® Low Energy Module GCY 42.

- قم بغلاق الغطاء (15) بحيث لا تدخل أي اتساخات.

قابض فرط التحميل

◀ تفصل قوة الدفع عن محور دوران المثقاب عندما تنقبط أو تتكلب عدة الشغل. أمسك العدة الكهربائية دائماً بكلتا اليدين بإحكام وقف بثبات بسبب القوى الناتجة عن ذلك.

◀ اطفئ العدة الكهربائية وقم بحل عدة الشغل عند انحصار العدة الكهربائية. تتشكل عزوم رد فعل عالية عند تشغيل عدة ثقب مستعصية.

◀ **للعمل بشكل جيد وأمن حافظ دائمًا على نظافة العدة الكهربائية وفتحات التهوية .**
 ▶ **يجب تغيير غطاء الوقاية من الغبار التالف على الفور. وينصح أن يتم ذلك من قبل مركز خدمة العملاء.**

- قم بتنظيف حاضن العدة (2) بعد كل استخدام.

خدمة العملاء واستشارات الاستخدام

يجب مركز خدمة العملاء على الأسئلة المتعلقة بإصلاح المنتج وصيانتها، بالإضافة لقطع الغيار. تجد الرسوم التفصيلية والمعلومات الخاصة بقطع الغيار في الموقع: www.bosch-pt.com
 يسر فريق Bosch لاستشارات الاستخدام مساعدتك إذا كان لديك أي استفسارات بخصوص منتجاتنا وملحقاتها.
 يلزم ذكر رقم الصنف ذو الخانات العشر وفقا للوحة صنع المنتج عند إرسال أية استفسارات أو طلبيات قطع غيار.

المغرب

Robert Bosch Morocco SARL
 53، شارع الملازم محمد مروود
 20300 الدار البيضاء
 الهاتف: +212 5 29 31 43 27
 البريد الإلكتروني: sav.outillage@ma.bosch.com

تجد المزيد من عناوين الخدمة تحت:

www.bosch-pt.com/serviceaddresses

النقل

تخضع مراكم أيونات الليثيوم الموصى بها لاشتراطات قانون المواد الخطرة. يسمح للمستخدم أن يقوم بنقل المراكم على الطرقات دون التقيد بأية شروط إضافية.

عندما يتم إرسالها عن طريق طرف آخر (مثلا: الشحن الجوي أو شركة شحن)، يتوجب التقيد بشروط خاصة بصدد التغليف ووضع العلامات. ينبغي استشارة خبير متخصص بنقل المواد الخطيرة عندما يرغب بتحضير المرمك المراد شحنه في هذه الحالة.

لا تقوم بشحن المراكم إلا إذا كان هيكلها الخارجي سليم. قم بتغطية الملامسات المكشوفة ن بلاصقات، و قم بتغليف المرمك بحيث لا يتحرك في الطرد. يرجى أيضا مراعاة التشريعات المحلية المتعلقة إن وجدت.

التخلص من العدة الكهربائية

يجب التخلص من العدة الكهربائية والمركم والتوابع والتغليف بطريقة صديقة للبيئة عن طريق النفايات القابلة لإعادة التصنيع.

لا تلق العدة الكهربائية والمراكم/البطاريات ضمن النفايات المنزلية!



المراكم/البطاريات:

مراكم أيونات الليثيوم:

يرجى مراعاة الإرشادات الواردة في جزء النقل (انظر „النقل“، الصفحة 108).

مناسب برای محیط باز، خطر برق گرفتگی را کم می کنند.

◀ در صورت لزوم کار با ابزار برقی در محیط و اماکن مرطوب، باید از یک کلید حفاظتی جریان خطا و نشستی زمین (کلید قطع کننده اتصال با زمین) استفاده کنید. استفاده از کلید حفاظتی جریان خطا و نشستی زمین خطر برق گرفتگی را کاهش می دهد.

رعایت ایمنی اشخاص

◀ حواس خود را خوب جمع کنید، به کار خود دقت کنید و با فکر و هوشیاری کامل با ابزار برقی کار کنید. در صورت خستگی و یا در صورتی که مواد مخدر، الکل و دارو استفاده کرده‌اید، با ابزار برقی کار نکنید. یک لحظه بی توجهی هنگام کار با ابزار برقی، میتواند جراثم های شدیدی به همراه داشته باشد.

◀ از تجهیزات ایمنی شخصی استفاده کنید. همواره از عینک ایمنی استفاده نمایید. استفاده از تجهیزات ایمنی مانند ماسک ضد گرد و غبار، کفشهای ایمنی ضد لغزش، کلاه ایمنی و گوشی محافظ متناسب با نوع کار با ابزار برقی، خطر مجروح شدن را کاهش میدهد.

◀ مواظب باشید که ابزار برقی بطور ناخواسته بکار نیفتد. قبل از وارد کردن دوشاخه دستگاه در پریز برق، اتصال آن به باتری، برداشتن آن و یا حمل دستگاه، باید دقت کنید که ابزار برقی خاموش باشد. در صورتی که هنگام حمل دستگاه انگشت شما روی دکمه قطع و وصل باشد و یا دستگاه را در حالت روشن به برق بزنید، ممکن است سوانح کاری پیش آید.

◀ قبل از روشن کردن ابزار برقی، همه ابزارهای تنظیم کننده و آپارها را از روی دستگاه بردارید. ابزار و آپارهایی که روی بخش های چرخنده دستگاه قرار دارند، میتوانند باعث ایجاد جراثم شوند.

◀ وضعیت بدن شما باید در حالت عادی قرار داشته باشد. برای کار جای مطمئنی برای خود انتخاب کرده و تعادل خود را همواره حفظ کنید. به این ترتیب میتوانید ابزار برقی را در وضعیتهای غیر منتظره بهتر تحت کنترل داشته باشید.

◀ لباس مناسب بپوشید. از پوشیدن لباسهای گشاد و حمل زینت آلات خودداری کنید. موها و لباس خود را از بخشهای در حال چرخش دستگاه دور نگه دارید. لباسهای گشاد، موی بلند و زینت آلات ممکن است در قسمتهای در حال چرخش دستگاه گیر کنند.

◀ در صورتی که تجهیزاتی برای اتصال وسائل مکش گرد و غبار و یا وسیله جمع کننده گرد و غبار ارائه شده است، باید مطمئن شوید که این وسائل درست نصب و استفاده می شوند. استفاده از وسائل مکش گرد و غبار مصونیت شما را در برابر گرد و غبار زیاده تر میکند.

◀ آشنایی با ابزار به دلیل کار کردن زیاد با آن نباید باعث سهل انگاری شما و نادیده گرفتن اصول ایمنی شود. بی دقتی ممکن است باعث بروز جراحاتی در عرض کسری از ثانیه شود.

فارسی

دستورات ایمنی

نکات ایمنی عمومی برای ابزارهای برقی

⚠ هشدار کلیه هشدارها، دستورالعملها، تصاویر و

مشخصات ارائه شده به همراه ابزار برقی را مطالعه کنید. اشتباهات ناشی از عدم رعایت این دستورات ایمنی ممکن است باعث برق گرفتگی، سوختگی و یا سایر جراثم های شدید شود.

کلیه هشدارهای ایمنی و راهنماییها را برای آینده خوب نگهداری کنید.

عبارت «ابزار برقی» در هشدارها به ابزارهایی که به پریز برق متصل میشوند (با سیم برق) و یا ابزارهای برقی باتری دار (بدون سیم برق) اشاره دارد.

ایمنی محل کار

◀ محیط کار را تمیز و روشن نگه دارید. محیطهای در هم ریخته یا تاریک احتمال بروز حادثه را افزایش میدهند.

◀ ابزار برقی را در محیطهایی که خطر انفجار وجود دارد و حاوی مایعات، گازها و بخارهای متحرکه هستند، به کار نگیرید. ابزارهای برقی چرخههایی ایجاد میکنند که میتوانند باعث آتش گرفتن گرد و غبارهای موجود در هوا شوند.

◀ هنگام کار با ابزار برقی، کودکان و سایر افراد را از دستگاه دور نگه دارید. در صورتیکه حواس شما پرت شود، ممکن است کنترل دستگاه از دست شما خارج شود.

ایمنی الکتریکی

◀ دوشاخه ابزار برقی باید با پریز برق تناسب داشته باشد. هیچگونه تغییری در دوشاخه ایجاد نکنید. مبدل دوشاخه نباید همراه با ابزار برقی دارای اتصال زمین استفاده شود. دوشاخههای اصل و تغییر داده نشده و پریزهای مناسب، خطر برق گرفتگی را کاهش میدهند.

◀ از تماس بدنی با قطعات متصل به سیم اتصال زمین مانند لوله، شوفاژ، اجاق برقی و یخچال خودداری کنید. در صورت تماس بدنی با سطوح و قطعات دارای اتصال به زمین و همچنین تماس شما با زمین، خطر برق گرفتگی افزایش می یابد.

◀ ابزارهای برقی را در معرض باران و رطوبت قرار ندهید. نفوذ آب به ابزار برقی، خطر شوک الکتریکی را افزایش میدهد.

◀ از سیم دستگاه برای مقاصد دیگر استفاده نکنید. هرگز برای حمل ابزار برقی، کشیدن آن یا خارج کردن دوشاخه از سیم دستگاه استفاده نکنید. کابل دستگاه را از حرارت، روغن، لیبهای تیز یا قطعات متحرک دور نگه دارید. کابلهای آسیب دیده و یا گره خورده خطر شوک الکتریکی را افزایش میدهند.

◀ هنگام استفاده از ابزار برقی در محیطهای باز، تنها از کابل رابطی استفاده کنید که برای محیط باز نیز مناسب باشد. کابل های رابط

شوند. ایجاد اتصالی بین دو قطب باتری (ترمینالهای باتری) میتواند باعث سوختگی و ایجاد حریق شود.

استفاده بی رویه از باتری میتواند باعث خروج مایعات از آن شود؛ از هر گونه تماس با این مایعات خودداری کنید. در صورت تماس اتفاقی با آن، دست خود و یا محل تماس را با آب بشوئید. در صورت آلوده شدن چشم با این مایع، باید به پزشک مراجعه کنید. مایع خارج شده از باتری میتواند باعث التهاب پوست و سوختگی شود.

هرگز از باتری یا ابزار آسیب دیده یا دست کاری شده استفاده نکنید. باتریهای آسیب دیده ممکن است کارکرد غیر منتظرهای داشته باشند و منجر به آتش سوزی، انفجار یا جراحت شوند.

باتری یا ابزار را در معرض آتش یا دمای زیاد قرار ندهید. قرار گرفتن در معرض آتش یا دمای بالاتر از 130 درجه سانتیگراد میتواند باعث انفجار شود.

همه راهنماییهای مربوط به شارژ را رعایت کنید و باتری یا ابزار را خارج از محدوده دمای تعریف شده در دستورات شارژ نکنید. شارژ کردن نادرست یا در دمای خارج از محدوده تعریف شده ممکن است به باتری صدمه بزند و خطر آتش سوزی را افزایش دهد.

سرویس

برای تعمیر ابزار برقی فقط به متخصصین حرفهای رجوع کنید و از قطعات یدکی اصل استفاده نمایید. این باعث خواهد شد که ایمنی دستگاه شما تضمین گردد.

هرگز باتریهای آسیب دیده را تعمیر نکنید. باتری باید تنها توسط متخصصین مجاز شرکت تعمیر شوند.

نکات ایمنی برای چکش ها

دستورالعمل های ایمنی برای انواع عملیات

از گوشی ایمنی استفاده کنید. قرار گرفتن در معرض سر و صدا، میتواند به شنوایی آسیب برساند.

از دسته کمکی، در صورتی که به همراه ابزار ارائه شده است استفاده کنید. از دست دادن کنترل بروی ابزار میتواند باعث بروز جراحت شود.

در صورت انجام کارهایی که امکان برخورد با کابل های حامل جریان برق مخفی وجود دارد، ابزار برقی را از دسته عایق بگیریید. در صورت برخورد با یک کابل حامل "جریان برق" ممکن است قسمتهای فلزی ابزار برقی حامل "جریان برق" شوند و باعث بروز شوک الکتریکی یا برق گرفتگی گردند.

دستورالعمل های ایمنی هنگام استفاده از مته های بلند در دریل های بتن کن

دریل کاری را همیشه هنگامی که نوک مته با قطعه کار در تماس است و با سرعت پایین آغاز کنید. در سرعت های بالاتر، ممکن است مته

استفاده صحیح از ابزار برقی و مراقبت از آن

از وارد کردن فشار زیاد روی دستگاه خودداری کنید. برای هر کاری، از ابزار برقی مناسب با آن استفاده کنید. بکار گرفتن ابزار برقی مناسب باعث میشود که بتوانید از توان دستگاه بهتر و با اطمینان بیشتر استفاده کنید.

در صورت ایراد در کلید قطع و وصل ابزار برقی، از دستگاه استفاده نکنید. ابزار برقی که نمی توان آنها را قطع و وصل کرد، خطرناک بوده و باید تعمیر شوند.

قبل از تنظیم ابزار برقی، تعویض متعلقات و یا کنار گذاشتن آن، دوشاخه را از برق بکشید و یا باتری آنرا خارج کنید. رعایت این اقدامات پیشگیری ایمنی از راه افتادن ناخواسته ابزار برقی جلوگیری می کند.

ابزار برقی را در صورت عدم استفاده، از دسترس کودکان دور نگه دارید و اجازه ندهید که افراد ناوارد و یا اشخاصی که این دفترچه راهنما را نخوانده اند، با این دستگاه کار کنند. قرار گرفتن ابزار برقی در دست افراد ناوارد و بی تجربه خطرناک است.

از ابزار برقی و متعلقات خوب مراقبت کنید. مواظب باشید که قسمت های متحرک دستگاه خوب کار کرده و گیر نکنند. همچنین دقت کنید که قطعات ابزار برقی شکسته و یا آسیب دیده نباشند. قطعات آسیب دیده را قبل از شروع به کار تعمیر کنید. علت بسیاری از سوانح کاری، عدم مراقبت کامل از ابزارهای برقی می باشد.

ابزار برش را تیز و تمیز نگه دارید. ابزار برشی که خوب مراقبت شده و از لبه های تیز برخوردار است، کمتر در قطعه کار گیر کرده و بهتر قابل هدایت است.

ابزار برقی، متعلقات، مته های دستگاه و غیره را مطابق دستورات این جزوه راهنما به کار گیرید و به شرایط کاری و نوع کار نیز توجه داشته باشید. استفاده از ابزار برقی برای عملیاتی به جز مقاصد در نظر گرفته شده، میتواند به بروز شرایط خطرناک منجر شود.

دستها و سطوح عایق را همواره خشک، تمیز و عاری از روغن و گریس نگه دارید. دسته های لغزنده مانع ایمنی و کنترل در کار در شرایط غیر منتظره هستند.

مراقبت و طرز استفاده از ابزارهای شارژی

باتریها را منحصراً توسط شارژرهایی که توسط سازنده توصیه شده اند، شارژ کنید. در صورتی که برای شارژ باتری، آنرا در شارژری قرار دهید که برای آن باتری ساخته نشده است، خطر آتش سوزی وجود دارد.

در ابزارهای برقی فقط از باتریهایی استفاده کنید که برای آن نوع ابزار برقی در نظر گرفته شده اند. استفاده از باتریهای متفرقه میتواند منجر به بروز جراحت و حریق گردد.

در صورت عدم استفاده از باتری باید آنرا از گیره های فلزی، سکه، کلید، میخ، پیچ و دیگر وسائل کوچک فلزی دور نگه دارید، زیرا این وسائل ممکن است باعث ایجاد اتصالی

مطمئن نگه دارید. در غیر اینصورت امکان از دست دادن کنترل روی ابزار برقی وجود دارد.

◀ **هنگام عملیات تخریب با قلم با احتیاط عمل کنید.** افتادن قطعات ناشی از مواد تخریب، می توانند به اطرافیان یا خود شما آسیب برسانند.

◀ **ابزار برقی را هنگام کار با دو دست محکم بگیرید و وضعیت خود را ثابت و مطمئن کنید.** ابزار برقی با دو دست مطمئن تر هدایت می شود.

◀ **احتیاط! هنگام استفاده از ابزار اندازه گیری با Bluetooth[®] ممکن است دستگاهها، سیستمها، هواپیماها و ابزارهای پزشکی (باتری قلب، سمعک) دچار اختلال شوند.** همچنین ممکن است افراد یا حیوانات کاملاً نزدیک به ابزار آسیب ببینند. ابزار برقی با Bluetooth[®] را در نزدیکی دستگاههای پزشکی، پمپ بنزین، سیستمهای شیمیایی و مناطق دارای خطر انفجار بکار نبرید. از ابزار برقی به همراه Bluetooth[®] در هواپیما استفاده نکنید. از کاربرد دستگاه به مدت طولانی در نزدیکی مستقیم بدن خودداری کنید.

علامت نامی Bluetooth[®] همانند علامت های تصویری (لوگوها)، نشانههای ثبت شده و متعلق به Bluetooth SIG, Inc می باشند. هر گونه استفاده از این علائم نامی/نشانهها، توسط شرکت Robert Bosch Power Tools GmbH تحت لیسانس انجام میشوند.

علامت ها

علائم و نماد های زیر و معانی آنها میتوانند برای کار و استفاده از ابزار برقی شما پر اهمیت باشند. لطفاً این علائم و مفهوم آنها را خوب بخاطر بسپارید. تفسیر صحیح این علائم به شما کمک میکند که ابزار برقی را بهتر و مطمئن تر مورد استفاده قرار بدهید.

علائم و مفهوم آنها

برای تعویض ابزار مورد استفاده، بوش قفل کننده را به عقب بکشید.



توضیحات محصول و کارکرد

همه دستورات ایمنی و راهنماییها را بخوانید. اشتباهات ناشی از عدم رعایت این دستورات ایمنی ممکن است باعث برقرفتگی، سوختگی و یا سایر جراحات های شدید شود.



به تصویرهای واقع در بخشهای اول دفترچه راهنما توجه کنید.

موارد استفاده از دستگاه

این ابزار برقی برای سوراخکاری چکشی روی بتن، ساختار آجری، سنگ و نیز برای قلم زنی سبک در نظر گرفته شده است.

هنگام چرخش در حالت آزاد و بدون تماس با قطعه کار کج شود و باعث وارد آمدن جراثیم گردد.

◀ **روی مته فقط بطور مستقیم فشار وارد کنید و از اعمال فشار بیش از حد خودداری نمایید.** مته ها ممکن است خمیده و باعث اختلال یا از دست رفتن کنترل شوند و منجر به جراثیم کاربر گردند.

سایر نکات ایمنی

◀ **برای پیدا کردن لوله ها و سیم های پنهان موجود در ساختمان و محدوده کار، از یک دستگاه ردیاب مخصوص برای یافتن لوله ها و سیمهای تأسیسات استفاده کنید و یا با شرکت های کارهای تأسیسات ساختمان و خدمات مربوطه تماس بگیرید.** تماس با کابل و سیمهای برق ممکن است باعث آتشسوزی و یا برق گرفتگی شود. ایراد و آسیب دیدگی لوله گاز میتواند باعث انفجار شود. سوراخ شدن لوله آب باعث ایجاد خسارت میشود.

◀ **قبل از کنار گذاشتن ابزار برقی صبر کنید تا دستگاه بطور کامل از کار و حرکت بایستد.** ابزار ممکن است به قطعه کار گیر کرده و کنترل ابزار برقی از دست شما خارج شود.

◀ **قطعه کار را محکم کنید.** در صورتیکه قطعه کار به وسیله تجهیزات نگهدارنده و یا بوسیله گیره محکم شده باشد، قطعه کار مطمئن تر نگه داشته میشود، تا اینکه بوسیله دست نگهداشته شود.

◀ **در صورتیکه باتری آسیب دیده باشد و یا از آن بطور بی رویه استفاده شود، ممکن است از باتری بخارهایی بلند شود. باتری ممکن است آتش بگیرد یا منفجر شود.** در این حالت هوای محیط را تازه کنید؛ اگر احساس ناراحتی کردید، به پزشک مراجعه نمایید. استنشاق این بخارها ممکن است به مجاری تنفسی شما آسیب برساند.

◀ **باتری را باز نکنید.** خطر اتصال کوتاه وجود دارد.

◀ **بوسیله ی اشیاء تیز مانند میخ یا پیچگوشتی یا تأثیر نیروی خارجی ممکن است باتری آسیب ببیند.** ممکن است اتصالی داخلی رخ دهد و باتری آتش گیرد، دود کند، منفجر شود یا بیش از حد داغ گردد.

◀ **تنها از باتری برای محصولات تولیدی شرکت استفاده کنید.** فقط در اینصورت باتری در برابر خطر اعمال فشار بیش از حد محافظت میشود.

باتری را در برابر حرارت، از جمله در برابر تابش مداوم خورشید و همچنین در برابر آتش، آلودگی، آب و رطوبت محفوظ بدارید. خطر اتصالی و انفجار وجود دارد.



◀ **بلافاصله پس از کار، به هیچ وجه به ابزارهای مورد استفاده یا قطعات مجاور بدنه دست نزنید.** این موارد می توانند در حین کار خیلی داغ شده و باعث سوختگی گردند.

◀ **ابزار مورد استفاده هنگام سوراخ کاری ممکن است گیر کند. مطمئن شوید که محکم ایستاده اید و ابزار برقی را با هر دو دست**

- (11) چراغ کار
 - (12) دسته کمکی (دارای روکش عایق)
 - (13) دکمه آزادسازی باتری قابل شارژ^(a)
 - (14) User Interface (رابط کاربری)
 - (15) قاب مازول Bluetooth® Low Energy GCY 42
 - (16) نشانگر وضعیت شارژ باتری قابل شارژ (User Interface)
 - (17) نشانگر قطع سریع (User Interface)
 - (18) نشانگر حالت های کار (User Interface)
 - (19) دکمه انتخاب حالت کار (User Interface)
 - (20) نشانگر وضعیت ابزار برقی (User Interface)
 - (21) علامت گوشی هوشمند (User Interface)
 - (22) نشانگر دما (User Interface)
- (a) **کلیه متعلقاتی که در تصویر یا در متن آمده است، بطور معمول همراه دستگاه ارائه نمیشود. لیست کامل متعلقات را در برنامه متعلقات ما می یابید.**

دادهها و تنظیمات ابزار برقی میتوانند در صورت نصب **Low Energy Module GCY 42® Bluetooth** بوسیله فناوری امواج **Bluetooth®** بین ابزار برقی و یک دستگاه نهایی همراه منتقل شوند.

اجزاء دستگاه

شماره گذاری تصاویر اجزاء دستگاه بر اساس شکل ابزار برقی در صفحه تصاویر است.

- (1) سه نظام SDS max
- (2) ابزارگیر SDS max
- (3) کلاهک محافظت در برابر گرد و غبار
- (4) بوش قفل کننده
- (5) کلید توقف چرخش
- (6) کاهش دهنده لرزش و ارتعاش
- (7) دکمه تثبیت کلید روشن/خاموش
- (8) دسته (دارای روکش عایق)
- (9) کلید روشن/خاموش
- (10) باتری قابل شارژ^(a)

مشخصات فنی

GBH 18V-40 C		GBH 18V-40 C		دریل چکشی شارژی
3611 J17 1..	3611 J17 0..			شماره فنی
18	18	V=		ولتاژ نامی
0-3130	0-3130	min ⁻¹		تعداد ضربه ^(A)
9,0	9,0	J		قدرت هر ضربه مطابق استاندارد EPTA-Procedure 05:2016
0-360	0-360	min ⁻¹		سرعت نامی
SDS max	SDS max			ابزارگیر
^(C) _	^(B) ●			مازول Bluetooth® Low Energy GCY 42
				حداکثر قطر سوراخ کاری:
40	40	mm		- بتن
90	90	mm		- بتن (با مته نمونه برداری)
7,4-8,4	7,4-8,4	kg		وزن مطابق استاندارد EPTA-Procedure 01:2014 ^(D)
502	502	mm		طول
253	253	mm		ارتفاع
0...+35	0...+35	°C		دمای توصیه شده محیط هنگام شارژ
-20...+50	-20...+50	°C		دمای مجاز محیط هنگام کار ^(E) و هنگام انبار کردن
GBA 18V... ...ProCORE18V	GBA 18V... ...ProCORE18V			باتری های قابل شارژ سازگار
ProCORE18V... ≥ 5,5 Ah	ProCORE18V... ≥ 5,5 Ah			باتری های قابل شارژ توصیه شده برای توان کامل
GAL 18... GAX 18... ...GAL 36	GAL 18... GAX 18... ...GAL 36			شارژرهای توصیه شده
				انتقال اطلاعات
Bluetooth® 4.2 ^(F) (Low Energy)	Bluetooth® 4.2 ^(F) (Low Energy)			Bluetooth®

GBH 18V-40 C		GBH 18V-40 C		دریل چکشی شارژی
8	8	s		فاصله سیگنال
30	30	m		حداکثر دامنه سیگنال ⁶⁾

(A) اندازه گیری شده در دمای 20-25 °C با باتری قابل شارژ GBA 18V 8.0Ah.

(B) از پیش نصب شده

(C) قابل ارتقا-

(D) بسته به نوع باتری کاربردی

(E) توان محدود در دماهای > 0°C و < 40°C

(F) دستگاههای همرا با بستنی با دستگاههای (Version 4.2) Bluetooth® Low Energy متناسب باشند و Generic Access Profile (GAP) را تحت پوشش قرار دهند.

(G) میدان دریافت ممکن است برحسب شرایط خارجی، به انضمام دستگاه دریافت کننده به شدت تغییر کند. در مکانهای بسته و توسط موانع فلزی (مانند دیوارها، قفسه ها، چمدان ها و غیره) ممکن است میدان دریافت Bluetooth® به طور واضح کمتر شود.

باتری قابل شارژ

Bosch ابزارهای برقی شارژی را هم بدون باتری قابل شارژ می فروشد. در بسته بندی می توانید دریابید که آیا باتری قابل شارژ در محتویات ارسالی ابزار برقی شما وجود دارد یا خیر.

شارژ کردن باتری قابل شارژ

◀ **تنها شارژرهای ذکر شده در مشخصات فنی را بکار برید.** تنها این دستگاه های شارژ با باتری های لیتیوم-یونی (Li-Ion) ابزار برقی شما منطبق میباشد.

نکته: باتری های قابل شارژ لیتیوم یونی به دلیل قوانین حمل و نقل بین المللی به صورت نیمه شارژ تحویل داده می شوند. برای دست یافتن به توان کامل باتری قابل شارژ قبل از به کارگیری آن برای اولین بار، باتری را به طور کامل شارژ کنید.

نحوه قرار دادن باتری قابل شارژ

باتری شارژ شده را به داخل محفظه باتری قابل شارژ برانید تا جا بیفتد.

نحوه برداشتن باتری قابل شارژ

برای برداشتن باتری قابل شارژ، دکمه های آزادسازی باتری را فشار دهید و آن را خارج کنید. **هنگام انجام این کار از اعمال فشار خودداری کنید.** باتری قابل شارژ دارای 2 مرحله قفل می باشد که مانع از بیرون افتادن باتری قابل شارژ در اثر فشار ناخواسته روی دکمه آزادسازی باتری می شود. تا زمانی که باتری قابل شارژ داخل ابزار برقی قرار داشته باشد، توسط یک فنر در موقعیت خود نگه داشته می شود.

نشانگر وضعیت شارژ باتری

چراغهای سبز LED نشانگر وضعیت شارژ باتری، وضعیت شارژ باتری را نشان میدهند. به دلایل ایمنی، فراهوانی وضعیت شارژ باتری تنها در حالت توقف ابزار برقی ممکن است. دکمه را جهت پدیدار شدن نشانگر وضعیت شارژ[Ⓜ] یا وضعیت شارژ فشار دهید. این کار هنگامی که باتری برداشته شده باشد نیز ممکن است.

چنانچه پس از فشردن دکمه نشانگر وضعیت شارژ هیچ LED روشن نشود، باتری خراب است و باید تعویض گردد.

وضعیت شارژ باتری روی User Interface (رابط کاربری) نیز نمایش داده می شود نمایشگرهای وضعیت.

نوع باتری GBA 18V...



LED	ظرفیت
3	عدد چراغ سبز ممتد 60-100 %
2	عدد چراغ سبز ممتد 30-60 %
1	عدد چراغ سبز ممتد 5-30 %
1	عدد چراغ سبز چشمک زن 5-0 %

نوع باتری ProCORE18V...



LED	ظرفیت
5	عدد چراغ سبز ممتد 80-100 %
4	عدد چراغ سبز ممتد 60-80 %
3	عدد چراغ سبز ممتد 40-60 %
2	عدد چراغ سبز ممتد 20-40 %
1	عدد چراغ سبز ممتد 5-20 %
1	عدد چراغ سبز چشمک زن 5-0 %

توضیحات و تذکراتی برای نحوه بهینه کار با باتری

باتری را در برابر رطوبت و آب حفظ کنید. باتری را منحصراً در دمای بین 20- تا 50 درجه نگهداری کنید. بطور مثال باتری را در تابستان داخل اتومبیل نگذارید. گاهیگاه شیارهای تهویه باتری را بوسیله یک قلم موی یا برس کوچک نرم و خشک تمیز کنید. افیت قابل توجه مدت زمان کارکرد باتری که تازه شارژ شده است، نمایانگر آن است که باتری فرسوده و مستعمل شده و باید تعویض شود.

◀ کلاسهک محافظت در برابر گرد و غبار را در صورت آسیب دیدن فوراً عوض کنید. توصیه میشود اینکار را توسط تعمیرگاه مجاز (خدمات پس از فروش) انجام دهید.

تعویض ابزار (SDS-max)

قرار دادن ابزار مورد استفاده (رجوع کنید به تصویر C)

توسط ابزارگیر مجهز به SDS-max میتوان ابزار مورد استفاده را آسان و راحت بدون استفاده از سایر ابزارآلات عوض کرد.

– انتهای قرارگیری ابزار مورد استفاده را تمیز کرده و آن را کمی چرب کنید.

– بوش قفل کننده (4) را به عقب برانید و ابزار مورد استفاده را با حالت چرخان در ابزارگیر قرار دهید. بوش قفل کننده (4) را مجدداً رها کنید تا ابزار مورد استفاده قفل شود.

– با کشیدن ابزار، از قفل شدن آن مطمئن شوید.

خارج کردن ابزار مورد استفاده (رجوع کنید به تصویر D)

– آداپتور قفل (4) را به عقب برانید و ابزار را چرخان از ابزارگیر بردارید.

مکش گرد، براده و تراشه

گرد و غبار موادی مانند رنگ های دارای سرب، بعضی از چوب ها، مواد معدنی و فلزات میتوانند برای سلامتی مضر باشند. دست زدن و یا تنفس کردن گرد و غبار ممکن است باعث بروز آلرژی و یا بیماری مجاری تنفسی شخص استفاده کننده و یا افرادی که در آن نزدیکی میباشند، بشود.

گرد و غبارهای مخصوصی مانند گرد و غبار درخت بلوط و یا درخت راش سرطان زا هستند، بخصوص ترکیب آنها با سایر موادی که برای کار بر روی چوب (کرومات، مواد برای محافظت از چوب) بکار برده میشوند. فقط افراد متخصص مجازند با موادی که دارای آزیست میباشند کار کنند.

– توجه داشته باشید که محل کار شما از تهویه هوای کافی برخوردار باشد.

– توصیه میشود از ماسک تنفسی ایمنی با درجه فیلتر P2 استفاده کنید.

به قوانین و مقررات معتبر در کشور خود در رابطه با استفاده از مواد و قطعات کاری توجه کنید.

◀ از تجمع گرد و غبار در محل کار جلوگیری کنید. گرد و غبار می توانند به آسانی مشتعل شوند.

کار با دستگاه

راه اندازی

◀ توجه کنید که قاب (15) در *Bluetooth*® Low Energy Module GCY 42 هنگام کار بسته باشد. بدین ترتیب از ورود گرد و غبار جلوگیری میکنید.

تنظیم نوع عملکرد (رجوع کنید به تصویر E)

با کلید توقف چرخش (5)، نوع عملکرد ابزار برقی را انتخاب کنید.

– برای تعویض نوع عملکرد، کلید توقف چرخش (5) را در موقعیت دلخواه بچرخانید.

به نکات مربوط به نحوه از رده خارج کردن باتری توجه کنید.

نصب

◀ قبل از انجام هر گونه کاری با ابزار برقی (از جمله سرویس، تعویض ابزار و غیره) و همچنین به هنگام حمل و نقل و یا در انبار نگهداری کردن، باتری را از داخل ابزار برقی خارج کنید. در صورت تماس اتفاقی با کلید قطع و وصل، خطر آسیب دیدگی وجود دارد.

◀ قبل از انجام هر گونه کاری با ابزار برقی (برای مثال سرویس، تعویض ابزار و غیره) و همچنین به هنگام حمل و نقل و یا نگهداری آن در انبار، کلید تثبیت روشن/خاموش را قفل کنید. در صورت فعال شدن اتفاقی کلید روشن/خاموش، خطر جراحت وجود دارد.

نصب کردن Bluetooth®

Low Energy Module

GCY 42

(متعلقات)

جهت دریافت اطلاعات درباره *Bluetooth*® Low Energy Module،

GCY 42

دفترچه راهنمای مربوطه را بخوانید.

دسته کمکی

◀ از ابزار برقی تنها با دسته کمکی (12) استفاده کنید.

◀ دقت کنید که دسته کمکی همیشه محکم شده باشد. در غیر اینصورت امکان از دست دادن کنترل روی ابزار برقی در حین کار وجود دارد.

تعویض حالت دسته کمکی (رجوع کنید به تصویر B)

دسته کمکی (12) را می توان به دلخواه جهت بدست آمدن حالت کاری مطمئن و راحت چرخاند.

– قسمت پایینی دسته کمکی (12) را در خلاف جهت چرخش عقربههای ساعت بچرخانید و دسته کمکی (12) را به حالت دلخواه برانید. سپس قسمت پایینی دسته کمکی (12) را در جهت چرخش عقربههای ساعت محکم کنید.

توجه داشته باشید که تسمه مهار دسته کمکی در شیار موجود در بدنه دستگاه که برای آن در نظر گرفته شده است، قرار بگیرد.

انتخاب سه نظام و ابزارها

برای سوراخکاری چکشی و قلم زنی، نیاز به ابزارهای SDS-max است که در سه نظام مجهز به SDS-max قرار گیرند.

تعویض ابزار

درپوش حفاظتی گرد و غبار (3) از نفوذ گرد و غبار مته کاری در گیرنده ابزار در حین کار به طور عمده جلوگیری می کند. هنگام قرار دادن ابزار دقت کنید که درپوش حفاظتی گرد و غبار (3) آسیب نبیند.

ابزار برقی در دمای پایین بعد از مدتی توان کامل برای چکشکاری و ایجاد ضربه را به دست می‌آورد.

تنظیم تعداد چرخش/ضربه

همیشه میتوان تعداد چرخش/ضربه ابزار برقی روشن را با توجه به اینکه کلید روشن/خاموش (9) را تا کجا فشار میدهند، تنظیم کرد.

فشار کم روی کلید روشن/خاموش (9) باعث کاهش تعداد چرخش/ضربه میشود. افزایش فشار باعث افزایش تعداد چرخش/ضربه میشود.

همچنین می‌توانید سرعت را در رابط کاربری یا هر اپلیکیشن گوشی هوشمند تنظیم کنید.

تغییر حالت قلم (Vario-Lock)

شما می‌توانید قلم را در 16 حالت ها قفل کنید. به این ترتیب می‌توانید موقعیت کار بهینه مورد نظر را انتخاب کنید.

- قلم را در ابزارگیر قرار دهید.
- کلید توقف چرخش (5) را به موقعیت "Vario-Lock" بچرخانید.
- ابزار مورد استفاده را به وضعیت دلخواه قلم زنی بچرخانید.
- کلید توقف چرخش (5) را به حالت "قلم زنی" بچرخانید. ابزارگیر اینگونه قفل می‌شود.

قلم زنی با عملکرد قفل

برای قلم زنی طولانی مدت بدون اینکه کلید روشن/خاموش (9) را بصورت مداوم فشار دهید، کلید روشن/خاموش را روی عملکرد "قلم زنی" قفل کنید.

- جهت قفل کردن کلید روشن/خاموش (9) را تا انتها فشار داده و همزمان دکمه تثبیت (7) را فشار دهید.
- جهت خاموش کردن، دکمه تثبیت (7) را مجدداً فشار دهید.

User Interface (رجوع کنید به تصویر F)

رابط کاربری (14) برای انتخاب حالت کار و همچنین برای نشانگر وضعیت ابزار برقی استفاده می‌شود.

نکته: نوع عملکرد را تنها هنگام خاموش بودن ابزار برقی تغییر دهید! در غیر این صورت امکان آسیب دیدن ابزار برقی وجود دارد.

نکته: چنانچه عملکرد دیگری را هنگامی که کلید روشن/خاموش قفل است، انتخاب کنید، ابزار برقی خاموش میشود.

موقعیت برای **سوراخ کاری چکشی** چنانچه ابزار مورد استفاده بلافاصله نمی‌چرخد، بگذارید ابزار برقی به آرامی شروع به کار کند تا اینکه ابزار مورد استفاده نیز شروع به چرخش نماید. موقعیت **Vario-Lock** برای تنظیم و جایبایی وضعیت قلم



موقعیت قلم زنی

نحوه روشن و خاموش کردن

- در صورت لزوم دکمه تثبیت (7) برای کلید روشن/خاموش را رها کنید.
- جهت روشن کردن ابزار برقی، کلید روشن/خاموش (9) را فشار دهید.
- چراغ کار (11) هنگامی که کلید روشن/خاموش (9) نیمه فشرده یا در حالت فشرده کامل باشد، روشن میشود و در شرایط نامناسب نور، امکان روشن کردن محیط کار را فراهم میکند.
- برای خاموش کردن ابزار برقی، کلید روشن/خاموش (9) را رها کنید.

نمایشگرهای وضعیت

راه حل	معنی/دلیل	نشانگر وضعیت ابزار برقی (20)
-	وضعیت OK	سبز
اجازه دهید ابزار برقی در حالت بدون بار کار کند و خنک شود یا باتری قابل شارژ را سریعاً تعویض یا شارژ کنید	دما به وضعیت هشدار رسیده یا باتری قابل شارژ تقریباً خالی است	زرد
بگذارید ابزار برقی خنک شود یا باتری قابل شارژ را تعویض یا شارژ کنید	ابزار برقی بیش از حد داغ شده یا باتری قابل شارژ خالی است	قرمز
دکمه تثبیت را دوباره فشار دهید	دکمه تثبیت را در نوع عملکرد "سوراخ کاری چکشی" فعال کنید	قرمز
ابزار برقی را خاموش و دوباره روشن کنید	کلید توقف چرخش هنگام عملکرد فعال شده است	
باتری را شارژ کنید یا از نوع توصیه شده باتری قابل شارژ استفاده نمایید	موتور بلوکه شده است، باتری قابل شارژ بسیار ضعیف است	

نشانهگر وضعیت ابزار برقی (20)	معنی/دلیل	راه حل
	خطای عمومی	- ابزار برقی را خاموش و دوباره روشن کنید یا باتری قابل شارژ را خارج کرده و دوباره جاگذاری نمایید اگر خطا همچنان به قوت خود باقی است: - ابزار برقی را به مرکز خدمات مشتریان ارسال نمایید
چراغ چشمک زن قرمز - به همراه نشانهگر قطع سریع (17)	قطع سریع فعال شده است	ابزار برقی را خاموش و دوباره روشن کنید
چراغ چشمک زن آبی	ارتباط بین ابزار برقی و دستگاه همراه - نهایی برقرار می شود یا تنظیمات منتقل می شوند	

نشانهگر وضعیت شارژ باتری (User Interface) (16)	معنی/دلیل	راه حل
سبز (2 تا 5 خط)	باتری شارژ شده است	-
زرد (1 خط)	باتری تقریباً خالی است	باتری را زود تعویض یا شارژ کنید
قرمز (1 خط)	باتری خالی است	باتری را تعویض یا شارژ کنید

علامت گوشی هوشمند (21)	معنی/دلیل
-	در صورت اتصال دستگاه همراه، می توان از طریق فناوری رادیویی Bluetooth® به سایر اطلاعات دست یافت.

نشانهگر دما (22)	معنی/دلیل	راه حل
زرد	دمای کار باتری قابل شارژ یا ابزار برقی به میزان قابل توجهی افزایش یافته است، توان کاهش می یابد	اجازه دهید ابزار برقی خنک شود یا باتری قابل شارژ بیش از حد گرم شده را تعویض کنید
قرمز	دمای کار باتری قابل شارژ یا ابزار برقی از حد مجاز فراتر رفته است، ابزار برقی جهت محافظت خاموش می شود	اجازه دهید ابزار برقی خنک شود یا باتری قابل شارژ بیش از حد گرم شده را تعویض کنید

انتخاب حالت کار
دکمه (19) را برای انتخاب حالت کار چند بار فشار دهید تا زمانی که حالت کار مورد نظر شما روشن شود.

نشانهگر حالت کار (18)	عملکردها
Auto روشن است	حالت کار Auto : بالا رفتن سرعت بطور سریع و کنترل شده تا حداکثر توان - نوع عملکرد "سوراخ کاری چکشی" (استارت آهسته Electronic Precision Control) - بالا رفتن سرعت بطور سریع و کنترل شده تا حداکثر توان - قطع سریع (Kickback Control) فعال است - نوع عملکرد "قلم زنی" (استارت آهسته Adaptive Speed Control): بالا رفتن سرعت بطور سریع و کنترل شده تا حداکثر توان
Favorite روشن است	حالت کار Favorite : پیکربندی فردی از طریق اپلیکیشن گوشی هوشمند (فقط 3 611 J17 0.. در رابطه با ماژول Bluetooth® Low Energy GCY 42) تنظیمات زیر از قبل پیکربندی شده است:

نشانگر حالت کار (18) عملکردها

- نوع عملکرد "سوراخ کاری چکشی" (استارت آهسته Electronic Precision Control): بالا رفتن سرعت بطور کنترل شده تا کاهش متوسط توان
- قطع سریع (Kickback Control) فعال است
- نوع عملکرد "قلم زنی" (استارت آهسته Adaptive Speed Control): بالا رفتن سریع سرعت بطور ممکن تا حداکثر توان

حالت کار Soft: کاهش توان برای کار روی مواد حساس

Soft روشن است

- نوع عملکرد "سوراخ کاری چکشی" (استارت آهسته Electronic Precision Control): بالا رفتن سرعت به آرامی و بسیار کنترل شده تا کاهش حداقل توان
- قطع سریع (Kickback Control) فعال است
- نوع عملکرد "قلم زنی" (استارت آهسته Adaptive Speed Control): بالا رفتن سرعت به آرامی و بسیار کنترل شده تا کاهش توان

عملکرد های ارتباطی

در رابطه با Bluetooth® Low Energy Module با GCY 42 عملکردهای ارتباطی زیر برای ابزار برقی در دسترس هستند:

- ثبت و شخصی سازی
- بررسی وضعیت، اعلام هشدارها
- اطلاعات عمومی و تنظیمات
- مدیریت
- جهت دریافت اطلاعات درباره Bluetooth® Low Energy Module، GCY 42 دفترچه راهنمای مربوطه را بخوانید.

نکات کار

- ◀ ابزار برقی مجهز به Bluetooth® Low Energy Module GCY 42، امواج رادیویی تولید میکند. به محدودیتهای کار در محل مانند استفاده در هواپیماها یا بیمارستانها توجه کنید.
- ◀ در مناطقی که در آنها استفاده از فن آوری امواج Bluetooth® مجاز نیست، باید Bluetooth® Low Energy Module GCY 42 و باتری دکمهای برداشته شود.
- نکته: قاب یا روکش پوششی (15) فقط زمانی بطور مطمئن بسته می شود که Bluetooth® Low Energy Module GCY 42 و باتری دکمه ای درون ابزار برقی قرار گیرد.

- به منظور غیرفعال کردن Bluetooth® Low Energy Module GCY 42، باتری دکمه ای را بچرخانید یا یک عایق بین باتری دکمه ای و Bluetooth® Low Energy Module GCY 42 قرار دهید.
- قاب یا روکش پوششی (15) را ببندید تا خاک به داخل نفوذ نکند.

کلاج ایمنی

- ◀ هنگامی که مته یا ابزار دریل گیر کند، نیروی محرکه محور (شفت) مته قطع می شود. بدلیل نیروهایی که در اینصورت ایجاد می شوند، ابزار برقی را همیشه با هر دو دست محکم نگهدارید و وضعیت ایستادن شما هم باید ثابت و مستقر باشد.
- ◀ در صورتیکه ابزار برقی بلوکه شود یا گیر کند، ابزار برقی را خاموش کرده و ابزار را از روی

دستگاه بردارید. روشن کردن ابزار برقی در حالیکه ابزار مته گیر کرده باشد، باعث ایجاد ارتعاش و عکس العمل های شدید گشتاور می شود.

قطع سریع (KickBack Control)

قطع سریع (KickBack Control)، کنترل بهتری را روی ابزار برقی فراهم می کند و اینگونه حفاظت کاربر را در مقایسه با ابزارهای برقی فاقد KickBack Control تأمین می کند. هنگام چرخش ناگهانی و غیر قابل پیش بینی ابزار برقی حول محور مته، ابزار برقی خاموش می شود، نشانگر قطع سریع (17) به رنگ قرمز روشن شده و چراغ کار (11) چشمک می زند. در صورت فعال بودن قطع سریع، نشانگر وضعیت (20) به رنگ قرمز چشمک می زند.



- جهت راه اندازی دوباره کلید روشن/خاموش (9) را رها کنید و آن را دوباره فشار دهید.

Electronic Precision Control (EPC)

EPC هنگام سوراخ کاری و کار با ضربه در مواد حساس و کارهای دقیق، از طریق بالا رفتن به آرامی سرعت در حین کار از شما محافظت می کند.

کنترل الکترونیکی سرعت (Adaptive Speed Control) در نوع عملکرد "قلم زنی"

برای کنترل بهتر و شروع کار دقیق، ابزار برقی با سرعت پایین شروع به کار می کند و سپس برحسب سرعت تنظیم شده افزایش می یابد. هنگام شروع به کار ابزار برقی، کنترل الکترونیکی سرعت بطور اتوماتیک فعال می شود.



کاهش دهنده لرزش و ارتعاش

کاهش دهنده لرزش و ارتعاش Vibration Control شده، مقدار لرزشهای ایجاد شده را کاهش میدهد.

- ◀ چنانچه عضو کاهش دهنده لرزش و ارتعاش ابزار برقی آسیب دیده باشد، از ابزار برقی دیگر استفاده نکنید.

از رده خارج کردن دستگاه

ابزارهای برقی، باتری ها، متعلقات و بسته بندی ها، باید طبق مقررات حفظ محیط زیست از رده خارج و بازیافت شوند.



ابزار برقی و باتری ها/ باتری های قابل شارژ را داخل زباله دان خانگی نیندازید!



باتریهای شارژی/قلمی:

لیتیوم-یونی:

لطفاً به تذکرات بخش (رجوع کنید به „حمل دستگاه“، صفحه 118) توجه کنید.

مراقبت و سرویس

مراقبت، تعمیر و تمیز کردن دستگاه

- ◀ قبل از انجام هر گونه کاری با ابزار برقی (از جمله سرویس، تعویض ابزار و غیره) و همچنین به هنگام حمل و نقل و یا در انبار نگهداری کردن، باتری را از داخل ابزار برقی خارج کنید. در صورت تماس اتفاقی با کلید قطع و وصل، خطر آسیب دیدگی وجود دارد.
- ◀ ابزار الکتریکی و شیارهای تهویه آنرا تمیز نگاه دارید، تا ایمنی شما در کار تضمین گردد.
- ◀ کلاهک محافظت در برابر گرد و غبار را در صورت آسیب دیدن فوراً عوض کنید. توصیه میشود این کار را از طریق تعمیرگاه مجاز (خدمات پس از فروش) انجام دهید.
- ابزارگیر (2) را پس از هر بار استفاده تمیز کنید.

خدمات و مشاوره با مشتریان

خدمات مشتری، به سؤالات شما درباره تعمیرات، سرویس و همچنین قطعات یدکی پاسخ خواهد داد. نقشه‌های سه بعدی و اطلاعات مربوط به قطعات یدکی را در تارنمای زیر میبایید:

www.bosch-pt.com

گروه مشاوره به مشتریان Bosch با کمال میل به سؤالات شما درباره محصولات و متعلقات پاسخ می دهند.

برای هرگونه سؤال و یا سفارش قطعات یدکی، حتماً شماره فنی 10 رقمی کالا را مطابق برجسب روی ابزار برقی اطلاع دهید.

ایران

روبرت بوش ایران - شرکت بوش تجارت پارس میدان ونک، خیابان شهید خدای، خیابان آفتاب ساختمان مادیان، شماره 3، طبقه سوم.

تهران 1994834571

تلفن: +9821 42039000

آدرس سایر دفاتر خدماتی را در ادامه بباید:

www.bosch-pt.com/serviceaddresses

حمل دستگاه

باتری های لیتیوم یونی توصیه شده، مشمول الزامات قانون کالاهای خطرناک هستند. کاربر می تواند باتری ها را بدون استفاده از روکش در خیابان حمل کند.

در صورت ارسال توسط شخص ثالث (مانند: حمل و نقل هوایی یا زمینی) باید تمهیدات مربوط به بسته بندی و علامتگذاری مورد توجه قرار گیرد. در اینصورت باید حتماً جهت آماده سازی قطعه ارسالی به کارشناس حمل کالاهای پر خطر مراجعه کرد.

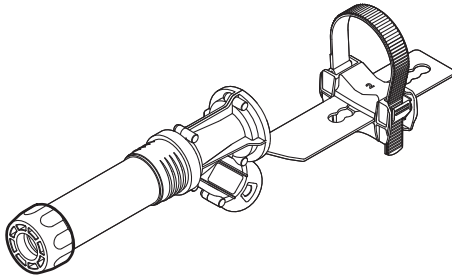
باتریها را فقط در صورتی ارسال کنید که بدنه آنها آسیب ندیده باشد. اتصالات (کتناکتهای) باز را بپوشانید و باتری را طوری بسته بندی کنید که در بسته بندی تکان نخورد. در این باره لطفاً به مقررات و آیین نامه های ملی توجه کنید.



GDE 68
1 600 A00 1G7



GDE 162
1 608 A00 1G8



GDE max
1 600 A00 1G9

Licenses

Copyright © 2009–2020 ARM LIMITED

All rights reserved.

Redistribution and use in source and binary forms, with or without modification, are permitted provided that the following conditions are met:

- Redistributions of source code must retain the above copyright notice, this list of conditions and the following disclaimer.
- Redistributions in binary form must reproduce the above copyright notice, this list of conditions and the following disclaimer in the documentation and/or other materials provided with the distribution.
- Neither the name of ARM nor the names of its contributors may be used to endorse or promote products derived from this software without specific prior written permission.

THIS SOFTWARE IS PROVIDED BY THE COPYRIGHT HOLDERS AND CONTRIBUTORS "AS IS" AND ANY EXPRESS OR IMPLIED WARRANTIES, INCLUDING, BUT NOT LIMITED TO, THE IMPLIED WARRANTIES OF MERCHANTABILITY AND FITNESS FOR A PARTICULAR PURPOSE ARE DISCLAIMED. IN NO EVENT SHALL THE COPYRIGHT OWNER OR CONTRIBUTORS BE LIABLE FOR ANY DIRECT, INDIRECT, INCIDENTAL, SPECIAL, EXEMPLARY, OR CONSEQUENTIAL DAMAGES (INCLUDING, BUT NOT LIMITED TO, PROCUREMENT OF SUBSTITUTE GOODS OR SERVICES; LOSS OF USE, DATA, OR PROFITS; OR BUSINESS INTERRUPTION) HOWEVER CAUSED AND ON ANY THEORY OF LIABILITY, WHETHER IN CONTRACT, STRICT LIABILITY, OR TORT (INCLUDING NEGLIGENCE OR OTHERWISE) ARISING IN ANY WAY OUT OF THE USE OF THIS SOFTWARE, EVEN IF ADVISED OF THE POSSIBILITY OF SUCH DAMAGE.

Copyright © 2012–2020 STMicroelectronics

Under STMicroelectronics' intellectual property rights, the redistribution, reproduction and use in source and binary forms of the software or any part thereof, with or without modification, are permitted provided that the following conditions are met:

1. Redistribution of source code (modified or not) must retain any copyright notice, this list of conditions and the disclaimer set forth below as items 10 and 11.
2. Redistributions in binary form, except as embedded into microcontroller or microprocessor device manufactured by or for STMicroelectronics or a software update for such device, must reproduce any copyright notice provided with the binary code, this list of conditions, and the disclaimer set forth below as items 10 and 11, in documentation and/or other materials provided with the distribution.
3. Neither the name of STMicroelectronics nor the names of other contributors to this software may be used to endorse or promote products derived from this software or part thereof without specific written permission.
4. This software or any part thereof, including modifications and/or derivative works of this software, must be used and execute solely and exclusively on or in combination with a microcontroller or microprocessor device manufactured by or for STMicroelectronics.
5. No use, reproduction or redistribution of this software partially or totally may be done in any manner that would subject this software to any Open Source Terms. "Open Source Terms" shall mean any open source license which requires as part of distribution of software that the source code of such software is distributed therewith or otherwise made available, or open source license that substantially complies with the Open Source definition specified at www.opensource.org and any other comparable open source license such as for example GNU General Public License (GPL), Eclipse Public License (EPL), Apache Software License, BSD license or MIT license.
6. STMicroelectronics has no obligation to provide any maintenance, support or updates for the software.
7. The software is and will remain the exclusive property of STMicroelectronics and its licensors. The recipient will not take any action that jeopardizes STMicroelectronics and its licensors' proprietary rights or acquire any rights in the software, except the limited rights specified hereunder.
8. The recipient shall comply with all applicable laws and regulations affecting the use of the software or any part thereof including any applicable export control law or regulation.
9. Redistribution and use of this software or any part thereof other than as permitted under this license is void and will automatically terminate your rights under this license.
10. THIS SOFTWARE IS PROVIDED BY STMICROELECTRONICS AND CONTRIBUTORS "AS IS" AND ANY EXPRESS, IMPLIED OR STATUTORY WARRANTIES, INCLUDING, BUT NOT LIMITED TO, THE IMPLIED WARRANTIES OF MERCHANTABILITY, FITNESS FOR A PARTICULAR PURPOSE AND NON-INFRINGEMENT OF THIRD PARTY INTELLECTUAL PROPERTY RIGHTS, WHICH ARE DISCLAIMED TO THE FULLEST EXTENT PERMITTED BY LAW. IN NO EVENT SHALL STMICROELECTRONICS OR CONTRIBUTORS BE LIABLE FOR ANY DIRECT, INDIRECT, INCIDENTAL, SPECIAL, EXEMPLARY, OR CONSEQUENTIAL DAMAGES (INCLUDING, BUT NOT LIMITED TO, PROCUREMENT OF SUBSTITUTE GOODS OR SERVICES; LOSS OF USE, DATA, OR PROFITS; OR BUSINESS INTERRUPTION) HOWEVER CAUSED AND ON ANY THEORY OF LIABILITY, WHETHER IN CONTRACT, STRICT LIABILITY, OR TORT (INCLUDING NEGLIGENCE OR OTHERWISE) ARISING IN ANY WAY OUT OF THE USE OF THIS SOFTWARE, EVEN IF ADVISED OF THE POSSIBILITY OF SUCH DAMAGE.

11. EXCEPT AS EXPRESSLY PERMITTED HEREUNDER, NO LICENSE OR OTHER RIGHTS, WHETHER EXPRESS OR IMPLIED, ARE GRANTED UNDER ANY PATENT OR OTHER INTELLECTUAL PROPERTY RIGHTS OF STMICROELECTRONICS OR ANY THIRD PARTY.