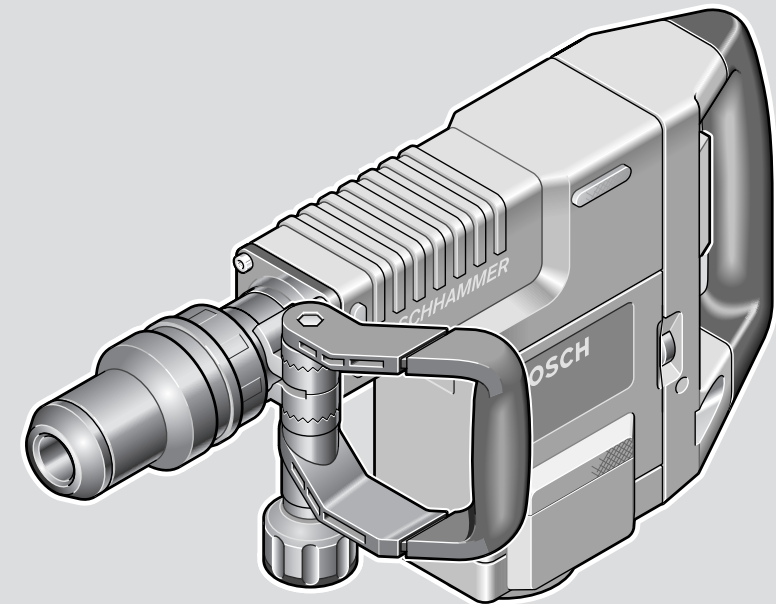




GSH 11 E Professional HEAVY DUTY



Robert Bosch Power Tools GmbH
70538 Stuttgart
GERMANY

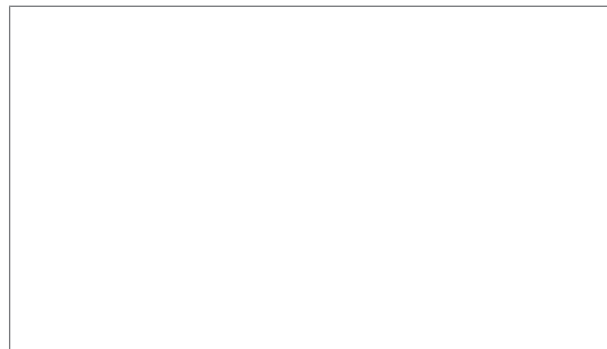
www.bosch-pt.com

1 609 92A 8DM (2022.11) PS / 22

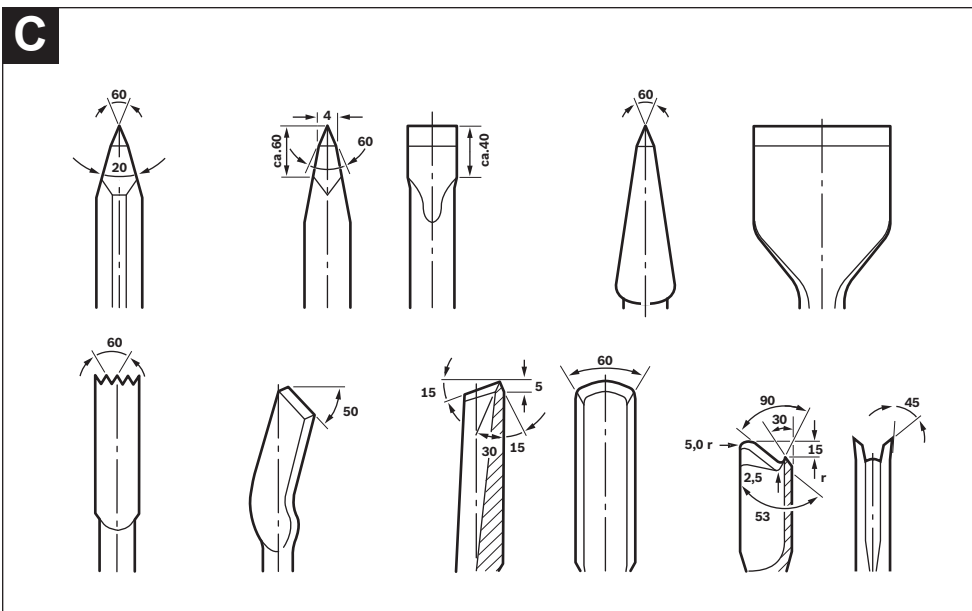
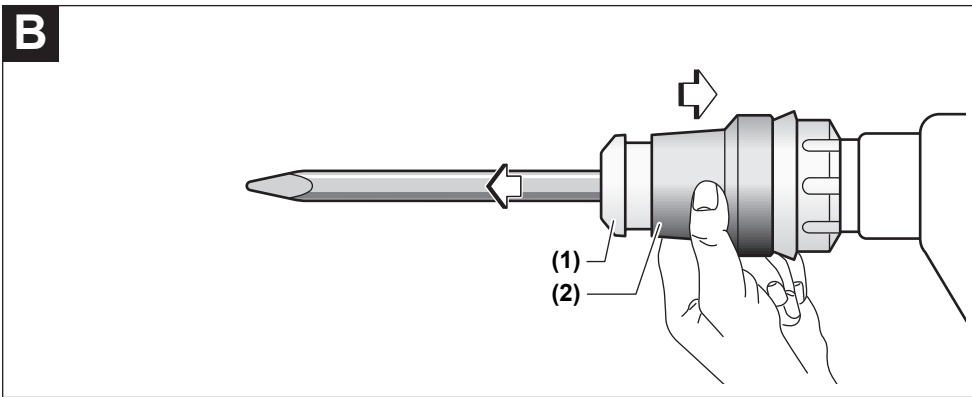
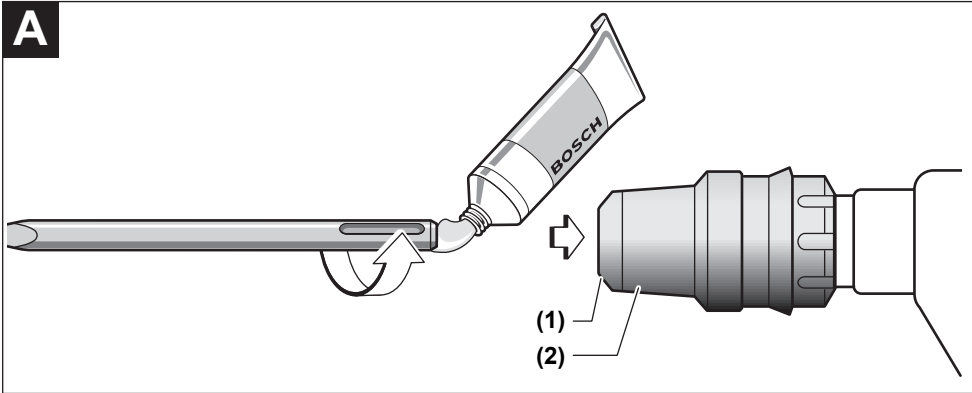


1 609 92A 8DM

en	Original instructions	Demolition Hammer
ru	Оригинальное руководство по эксплуатации	Отбойный молоток
ar	دليل التشغيل الأصلي	مطرقة دق
he	הוראות הפעלה מקוריות	פטיש חציבה



English	Page	5
Русский	Страница	8
عربي	الصفحة	14
עברית	עמוד	18



English

Safety Instructions

General Power Tool Safety Warnings

⚠ WARNING **Read all safety warnings and all instructions.** Failure to follow the warnings and instructions may result in electric shock, fire and/or serious injury.

Save all warnings and instructions for future reference.

The term "power tool" in the warnings refers to your mains-operated (corded) power tool or battery-operated (cordless) power tool.

Work area safety

- ▶ **Keep work area clean and well lit.** Cluttered or dark areas invite accidents.
- ▶ **Do not operate power tools in explosive atmospheres, such as in the presence of flammable liquids, gases or dust.** Power tools create sparks which may ignite the dust or fumes.
- ▶ **Keep children and bystanders away while operating a power tool.** Distractions can cause you to lose control.

Electrical safety

- ▶ **Power tool plugs must match the outlet. Never modify the plug in any way. Do not use any adapter plugs with earthed (grounded) power tools.** Unmodified plugs and matching outlets will reduce risk of electric shock.
- ▶ **Avoid body contact with earthed or grounded surfaces, such as pipes, radiators, ranges and refrigerators.** There is an increased risk of electric shock if your body is earthed or grounded.
- ▶ **Do not expose power tools to rain or wet conditions.** Water entering a power tool will increase the risk of electric shock.
- ▶ **Do not abuse the cord. Never use the cord for carrying, pulling or unplugging the power tool. Keep cord away from heat, oil, sharp edges or moving parts.** Damaged or entangled cords increase the risk of electric shock.
- ▶ **When operating a power tool outdoors, use an extension cord suitable for outdoor use.** Use of a cord suitable for outdoor use reduces the risk of electric shock..
- ▶ **If operating a power tool in a damp location is unavoidable, use a residual current device (RCD) protected supply.** Use of an RCD reduces the risk of electric shock.

Personal safety

- ▶ **Stay alert, watch what you are doing and use common sense when operating a power tool. Do not use a power tool while you are tired or under the influence of drugs, alcohol or medication.** A moment of inattention while operating power tools may result in serious personal injury.

- ▶ **Use personal protective equipment. Always wear eye protection.** Protective equipment such as dust mask, non-skid safety shoes, hard hat, or hearing protection used for appropriate conditions will reduce personal injuries.
- ▶ **Prevent unintentional starting. Ensure the switch is in the off-position before connecting to power source and/or battery pack, picking up or carrying the tool.** Carrying power tools with your finger on the switch or energising power tools that have the switch on invites accidents.
- ▶ **Remove any adjusting key or wrench before turning the power tool on.** A wrench or a key left attached to a rotating part of the power tool may result in personal injury.
- ▶ **Do not overreach. Keep proper footing and balance at all times.** This enables better control of the power tool in unexpected situations.
- ▶ **Dress properly. Do not wear loose clothing or jewellery. Keep your hair, clothing and gloves away from moving parts.** Loose clothes, jewellery or long hair can be caught in moving parts.
- ▶ **If devices are provided for the connection of dust extraction and collection facilities, ensure these are connected and properly used.** Use of dust collection can reduce dust-related hazards.

Power tool use and care

- ▶ **Do not force the power tool. Use the correct power tool for your application.** The correct power tool will do the job better and safer at the rate for which it was designed.
- ▶ **Do not use the power tool if the switch does not turn it on and off.** Any power tool that cannot be controlled with the switch is dangerous and must be repaired.
- ▶ **Disconnect the plug from the power source and/or the battery pack from the power tool before making any adjustments, changing accessories, or storing power tools.** Such preventive safety measures reduce the risk of starting the power tool accidentally.
- ▶ **Store idle power tools out of the reach of children and do not allow persons unfamiliar with the power tool or these instructions to operate the power tool.** Power tools are dangerous in the hands of untrained users.
- ▶ **Maintain power tools. Check for misalignment or binding of moving parts, breakage of parts and any other condition that may affect the power tool's operation. If damaged, have the power tool repaired before use.** Many accidents are caused by poorly maintained power tools.
- ▶ **Keep cutting tools sharp and clean.** Properly maintained cutting tools with sharp cutting edges are less likely to bind and are easier to control.
- ▶ **Use the power tool, accessories and tool bits etc. in accordance with these instructions, taking into account the working conditions and the work to be performed.**

formed. Use of the power tool for operations different from those intended could result in a hazardous situation.

Service

- ▶ **Have your power tool serviced by a qualified repair person using only identical replacement parts.** This will ensure that the safety of the power tool is maintained.

Hammer Safety Warnings

- ▶ **Wear ear protectors.** Exposure to noise can cause hearing loss.
- ▶ **Use auxiliary handle(s), if supplied with the tool.** Loss of control can cause personal injury.
- ▶ **Hold power tool by insulated gripping surfaces, when performing an operation where the cutting accessory may contact hidden wiring or its own cord.** Cutting accessory contacting a "live" wire may make exposed metal parts of the power tool "live" and could give the operator an electric shock.
- ▶ **Use suitable detectors to determine if utility lines are hidden in the work area or call the local utility company for assistance.** Contact with electric lines can lead to fire and electric shock. Damaging a gas line can lead to explosion. Penetrating a water line causes property damage or may cause an electric shock.

Products sold in GB only:

Your product is fitted with an BS 1363/A approved electric plug with internal fuse (ASTA approved to BS 1362).

If the plug is not suitable for your socket outlets, it should be cut off and an appropriate plug fitted in its place by an authorised customer service agent. The replacement plug should have the same fuse rating as the original plug.

The severed plug must be disposed of to avoid a possible shock hazard and should never be inserted into a mains socket elsewhere.

- ▶ **Hold the power tool firmly with both hands and make sure you have a stable footing.** The power tool can be more securely guided with both hands.
- ▶ **Always make sure that you maintain a safe distance. When operating the power tool in high up areas, e.g. on a ladder, ensure that no one is beneath you.**
- ▶ **Secure the workpiece.** A workpiece clamped with clamping devices or in a vice is held more secure than by hand.
- ▶ **Always wait until the power tool has come to a complete stop before placing it down.** The application tool can jam and cause you to lose control of the power tool.
- ▶ **Never touch the application tool or parts of the power tool near to the application tool after use; these may be extremely hot.** There is a risk of burns.

Product Description and Specifications



Read all the safety and general instructions.

Failure to observe the safety and general instructions may result in electric shock, fire and/or serious injury.

Please observe the illustrations at the beginning of this operating manual.

Intended Use

The power tool is intended for chiselling work in concrete, brick, stone and asphalt, as well as for driving in and compressing with the appropriate accessories.

Product Features

The numbering of the product features refers to the diagram of the power tool on the graphics page.

- (1) Dust protection cap
- (2) Locking sleeve
- (3) Chisel adjustment ring (Vario-Lock)
- (4) On/off switch
- (5) Thumbwheel for impact rate preselection
- (6) Service indicator
- (7) Auxiliary handle (insulated gripping surface)
- (8) Knurled nut for auxiliary handle
- (9) Handle (insulated gripping surface)

Technical Data

Demolition hammer		GSH 11 E
Article number		0 611 316 7..
Rated power input	W	1500
Impact rate	min ⁻¹	900–1890
Impact energy per stroke according to EPTA-Procedure 05:2016	J	16.8
Chisel positions		12
Tool holder		SDS max
Lubrication		Central permanent lubrication
Weight according to EPTA-Procedure 01:2014	kg	10.1
Protection class		□ / II

The specifications apply to a rated voltage [U] of 230 V. These specifications may vary at different voltages and in country-specific models.

Assembly

- ▶ **Pull the plug out of the socket before carrying out any work on the power tool.**

Auxiliary handle

► Do not operate your power tool without the auxiliary handle (7).

You can swivel the auxiliary handle (7) to any angle for a safe work posture that minimises fatigue.

- Loosen the knurled nut (8), rotate the auxiliary handle (7) around the axis of the tool to the required position and retighten the knurled nut (8).

The auxiliary handle (7) can be refitted in a different position.

- To do this, completely unscrew the knurled nut (8) and then pull the hexagon bolt upwards and out.
- Pull off the auxiliary handle (7) to the side and rotate the remaining clamping element by 180°.
- Fit the auxiliary handle (7) by following the steps in reverse order.

Changing the Tool

With the SDS-max tool holder, you can change the application tool simply and easily without additional aids.

The dust protection cap (1) largely prevents the penetration of drilling dust into the tool holder during operation. When inserting the tool, make sure that the dust protection cap (1) does not become damaged.

► Replace a damaged dust protection cap immediately. It is recommended that you have use an after-sales service for this.

Inserting the application tool (see figure A)

- Clean and lightly grease the shank of the application tool.
- Push the locking sleeve (2) back and insert the application tool by turning it into the tool holder. Release the locking sleeve (2) to lock the application tool.
- Check the latching by pulling the tool.

Removing the application tool (see figure B)

- Push the locking sleeve (2) back and remove the application tool.

Dust/Chip Extraction

Dust from materials such as lead-containing coatings, some wood types, minerals and metal can be harmful to one's health. Touching or breathing-in the dust can cause allergic reactions and/or lead to respiratory infections of the user or bystanders.

Certain dust, such as oak or beech dust, is considered carcinogenic, especially in connection with wood-treatment additives (chromate, wood preservative). Materials containing asbestos may only be worked by specialists.

- Provide for good ventilation of the working place.
- It is recommended to wear a P2 filter-class respirator.

Observe the relevant regulations in your country for the materials to be worked.

Operation

Starting Operation

► Pay attention to the mains voltage! The voltage of the power source must match the voltage specified on the rating plate of the power tool. Power tools marked with 230 V can also be operated with 220 V.

- **Products that are only sold in AUS and NZ:** Use a residual current device (RCD) with a nominal residual current of 30 mA or less.

Switching On and Off

- To **start** the power tool, push the on/off switch (4) to the right.
- To **switch off** the power tool, push the on/off switch (4) to the left.

At low temperatures, the power tool will take a certain amount of time to reach its full impact performance. You can shorten this warm-up time by tapping the power tool's inserted application tool on the ground once.

Setting the impact rate

The electronic control enables continuous speed preselection in accordance with the material.

The constant electronic control keeps the preselected impact rate almost constant when alternating between no-load and loaded operation.

- Select the impact rate with the thumbwheel (5) according to the material.

Changing the chiselling position (Vario-Lock)

You can lock the chisel in 12 different positions, allowing you to select the optimum working position for each task.

- Insert the chisel into the tool holder.
- Push the chisel adjustment ring (3) forwards and turn the chisel to the required position with the chisel adjustment ring (3).
- Release the chisel adjustment ring (3) and turn the chisel until it audibly clicks into place.

Working Advice

Sharpening the chiselling tools (see figure C)

Only sharp chiselling tools will produce good results, therefore sharpen your chiselling tools in good time before use. This will ensure a long service life for the tools and good work results.

Re-sharpening

Grind chiselling tools against sanding discs, e.g. aluminium oxide, under a steady stream of water. Make sure that the cutting edges show no annealing colours; this will impair the hardness of the chiselling tools.

To **forge** a chisel, heat it to 850–1050 °C (pale red to yellow).

To **harden** a chisel, heat it to approx. 900 °C and quench in oil. Then, leave it in an oven for approx. one hour at 320 °C (annealing colour: pale blue).

Maintenance and Service

Maintenance and Cleaning

- ▶ **Pull the plug out of the socket before carrying out any work on the power tool.**
- ▶ **To ensure safe and efficient operation, always keep the power tool and the ventilation slots clean.**

In order to avoid safety hazards, if the power supply cord needs to be replaced, this must be done by **Bosch** or by an after-sales service centre that is authorised to repair **Bosch** power tools.

- ▶ **Replace a damaged dust protection cap immediately. It is recommended that you have use an after-sales service for this.**

After-Sales Service and Application Service

Our after-sales service responds to your questions concerning maintenance and repair of your product as well as spare parts. You can find explosion drawings and information on spare parts at: www.bosch-pt.com

The Bosch product use advice team will be happy to help you with any questions about our products and their accessories.

In all correspondence and spare parts orders, please always include the 10-digit article number given on the nameplate of the product.

Israel

Ledico Ltd.
31 Lazrov Street
P.O. Box 6018 Rishon Le Ziyon
service@ledico.com

You can find further service addresses at:

www.bosch-pt.com/serviceaddresses

Disposal

The power tool, accessories and packaging should be recycled in an environmentally friendly manner.



Do not dispose of power tools along with household waste.

Русский

Только для стран Евразийского экономического союза (Таможенного союза)

В состав эксплуатационных документов, предусмотренных изготовителем для продукции, могут входить настоящее руководство по эксплуатации, а также приложения.

Информация о подтверждении соответствия содержится в приложении.

Информация о стране происхождения указана на корпусе изделия и в приложении.

Дата изготовления указана на последней странице обложки Руководства.

Контактная информация относительно импортера содержится на упаковке.

Срок службы изделия

Срок службы изделия составляет 7 лет. Не рекомендуется к эксплуатации по истечении 5 лет хранения с даты изготовления без предварительной проверки (дату изготовления см. на этикетке).

Указанный срок службы действителен при соблюдении потребителем требований настоящего руководства.

Перечень критических отказов

- не использовать при сильном искрении
- не использовать при появлении сильной вибрации
- не использовать с перебитым или оголённым электрическим кабелем
- не использовать при появлении дыма непосредственно из корпуса изделия

Возможные ошибочные действия персонала

- не использовать с поврежденной рукояткой или поврежденным защитным кожухом
- не использовать на открытом пространстве во время дождя
- не включать при попадании воды в корпус

Критерии предельных состояний

- перетёрт или повреждён электрический кабель
- поврежден корпус изделия

Тип и периодичность технического обслуживания

- Рекомендуется очистить инструмент от пыли после каждого использования.

Хранение

- необходимо хранить в сухом месте
- необходимо хранить вдали от источников повышенных температур и воздействия солнечных лучей
- при хранении необходимо избегать резкого перепада температур
- хранение без упаковки не допускается
- подробные требования к условиям хранения смотрите в ГОСТ 15150-69 (Условие 1)
- Хранить в упаковке предприятия – изготовителя в складских помещениях при температуре окружающей среды от +5 до +40 °С. Относительная влажность воздуха не должна превышать 80 %.

Транспортировка

- категорически не допускается падение и любые механические воздействия на упаковку при транспортировке
- при разгрузке/погрузке не допускается использование любого вида техники, работающей по принципу зажима упаковки

- подробные требования к условиям транспортировки смотрите в ГОСТ 15150-69 (Условие 5)
- Транспортировать при температуре окружающей среды от -50°C до $+50^{\circ}\text{C}$. Относительная влажность воздуха не должна превышать 100 %.

Указания по технике безопасности

Общие указания по технике безопасности для электроинструментов

⚠ ПРЕДУПРЕЖДЕНИЕ Прочтите все указания и инструкции по технике безопасности. Несоблюдение указаний и инструкций по технике безопасности может стать причиной поражения электрическим током, пожара и тяжелых травм.

Сохраняйте эти инструкции и указания для будущего использования.

Использованное в настоящих инструкциях и указаниях понятие «электроинструмент» распространяется на электроинструмент с питанием от сети (с сетевым шнуром) и на аккумуляторный электроинструмент (без сетевого шнура).

Безопасность рабочего места

- ▶ **Содержите рабочее место в чистоте и хорошо освещенным.** Беспорядок или неосвещенные участки рабочего места могут привести к несчастным случаям.
- ▶ **Не работайте с электроинструментами во взрывоопасной атмосфере, напр., содержащей горючие жидкости, воспламеняющиеся газы или пыль.** Электроинструменты искрят, что может привести к воспламенению пыли или паров.
- ▶ **Во время работы с электроинструментом не допускайте близко к Вашему рабочему месту детей и посторонних лиц.** Отвлечшись, Вы можете потерять контроль над электроинструментом.
- ▶ Оборудование предназначено для работы в бытовых условиях, коммерческих зонах и общественных местах, производственных зонах с малым электропотреблением, без воздействия вредных и опасных производственных факторов. Оборудование предназначено для эксплуатации без постоянного присутствия обслуживающего персонала.

Электробезопасность

- ▶ **Штепсельная вилка электроинструмента должна подходить к штепсельной розетке. Ни в коем случае не вносите изменения в штепсельную вилку. Не применяйте переходные штекеры для электроинструментов с защитным заземлением.** Измененные штепсельные вилки и подходящие штепсельные розетки снижают риск поражения электротоком.
- ▶ **Предотвращайте телесный контакт с заземленными поверхностями, как то: с трубами, элементами отопления, кухонными плитами и холодильниками.**

При заземлении Вашего тела повышается риск поражения электротоком.

- ▶ **Защищайте электроинструмент от дождя и сырости.** Проникновение воды в электроинструмент повышает риск поражения электротоком.
- ▶ **Не разрешается использовать шнур не по назначению. Никогда не используйте шнур для транспортировки или подвески электроинструмента, или для извлечения вилки из штепсельной розетки. Защищайте шнур от воздействия высоких температур, масла, острых кромок или подвижных частей электроинструмента.** Поврежденный или спутанный шнур повышает риск поражения электротоком.
- ▶ **При работе с электроинструментом под открытым небом применяйте пригодные для этого кабели-удлинители.** Применение пригодного для работы под открытым небом кабеля-удлинителя снижает риск поражения электротоком.
- ▶ **Если невозможно избежать применения электроинструмента в сыром помещении, подключайте электроинструмент через устройство защитного отключения.** Применение устройства защитного отключения снижает риск электрического поражения.

Личная безопасность

- ▶ **Будьте внимательны, следите за тем, что делаете, и продуманно начинайте работу с электроинструментом. Не пользуйтесь электроинструментом в усталом состоянии или под воздействием наркотиков, алкоголя или лекарственных средств.** Один момент невнимательности при работе с электроинструментом может привести к серьезным травмам.
- ▶ **Применяйте средства индивидуальной защиты. Всегда носите защитные очки.** Использование средств индивидуальной защиты, как то: защитной маски, обуви на нескользящей подошве, защитного шлема или средств защиты органов слуха, в зависимости от вида работы с электроинструментом снижает риск получения травм.
- ▶ **Предотвращайте непреднамеренное включение электроинструмента. Перед тем как подключить электроинструмент к сети и/или к аккумулятору, поднять или переносить электроинструмент, убедитесь, что он выключен.** Удержание пальца на выключателе при транспортировке электроинструмента и подключение к сети питания включенного электроинструмента чревато несчастными случаями.
- ▶ **Убирайте установочный инструмент или гаечные ключи до включения электроинструмента.** Инструмент или ключ, находящийся во вращающейся части электроинструмента, может привести к травмам.
- ▶ **Не принимайте неестественное положение корпуса тела. Всегда занимайте устойчивое положение и сохраняйте равновесие.** Благодаря этому Вы можете лучше контролировать электроинструмент в неожиданных ситуациях.

- ▶ **Носите подходящую рабочую одежду. Не носите широкую одежду и украшения. Не подставляйте волосы, одежду и рукавицы под движущиеся части.** Широкая одежда, украшения или длинные волосы могут быть затянуты вращающимися частями.
- ▶ **При наличии возможности установки пылеотсасывающих и пылесборных устройств проверяйте их присоединение и правильное использование.** Применение пылеотсоса может снизить опасность, создаваемую пылью.
- ▶ **ВНИМАНИЕ!** В случае возникновения перебоя в работе электроинструмента вследствие полного или частичного прекращения энергоснабжения или повреждения цепи управления энергоснабжением установите выключатель в положение Выкл., убедившись, что он не заблокирован (при его наличии). Отключите сетевую вилку от розетки или отсоедините съёмный аккумулятор. Этим предотвращается неконтролируемый повторный запуск.
- ▶ Квалифицированный персонал в соответствии с настоящим руководством подразумевает лиц, которые знакомы с регулировкой, монтажом, вводом эксплуатацию обслуживанием электроинструмента.
- ▶ К работе с электроинструментом допускаются лица не моложе 18 лет, изучившие техническое описание, инструкцию по эксплуатации и правила безопасности.
- ▶ Изделие не предназначено для использования лицами (включая детей) с пониженными физическими, чувственными или умственными способностями или при отсутствии у них жизненного опыта или знаний, если они не находятся под контролем или не проинструктированы об использовании электроинструмента лицом, ответственным за их безопасность.

Применение электроинструмента и обращение с ним

- ▶ **Не перегружайте электроинструмент. Используйте для работы соответствующий специальный электроинструмент.** С подходящим электроинструментом Вы работаете лучше и надежнее в указанном диапазоне мощности.
- ▶ **Не работайте с электроинструментом при неисправном выключателе.** Электроинструмент, который не поддается включению или выключению, опасен и должен быть отремонтирован.
- ▶ **До начала наладки электроинструмента, перед заменой принадлежностей и хранением отключите штепсельную вилку от розетки сети и/или извлеките аккумулятор.** Эта мера предосторожности предотвращает непреднамеренное включение электроинструмента.
- ▶ **Храните электроинструменты в недоступном для детей месте. Не разрешайте пользоваться электроинструментом лицам, которые не знакомы с ним или не читали настоящих инструкций.** Электроинструменты опасны в руках неопытных лиц.
- ▶ **Тщательно ухаживайте за электроинструментом. Проверяйте безупречную функцию и ход движущихся частей электроинструмента, отсутствие по-**

ломок или повреждений, отрицательно влияющих на функцию электроинструмента. Поврежденные части должны быть отремонтированы до использования электроинструмента. Плохое обслуживание электроинструментов является причиной большого числа несчастных случаев.

- ▶ **Держите режущий инструмент в заточенном и чистом состоянии.** Заботливо ухоженные режущие инструменты с острыми режущими кромками режут быстрее и их легче вести.
- ▶ **Применяйте электроинструмент, принадлежности, рабочие инструменты и т. п. в соответствии с настоящими инструкциями. Учитывайте при этом рабочие условия и выполняемую работу.** Использование электроинструментов для непредусмотренных работ может привести к опасным ситуациям.

Сервис

- ▶ **Ремонт электроинструмента должен выполняться только квалифицированным персоналом и только с применением оригинальных запасных частей.** Этим обеспечивается безопасность электроинструмента.

Указания по технике безопасности для молотков

- ▶ **Применяйте средства защиты органов слуха.** Шум может привести к потере слуха.
- ▶ **Используйте дополнительную(ые) рукоятку(и), если они поставляются с электроинструментом.** Потеря контроля чревата травмами.
- ▶ **При выполнении работ, при которых рабочий инструмент может задеть скрытую электропроводку или свой собственный шнур питания, держите инструмент за изолированные поверхности.** Контакт с находящейся под напряжением проводкой может зарядить металлические части электроинструмента и привести к удару электрическим током.
- ▶ **Используйте соответствующие металлоискатели для нахождения спрятанных в стене труб или проводки или обращайтесь за справкой в местное коммунальное предприятие.** Контакт с электропроводкой может привести к пожару и поражению электротоком. Повреждение газопровода может привести к взрыву. Повреждение водопровода ведет к нанесению материального ущерба или может вызвать поражение электротоком.
- ▶ **Крепко держите электроинструмент во время работы двумя руками и следите за устойчивым положением тела.** Двумя руками Вы можете более надежно вести электроинструмент.
- ▶ **Всегда следите за поддержанием устойчивого положения. Убедитесь, что под Вами никого нет, когда электроинструмент используется на высоте, напр., на лестнице.**
- ▶ **Закрепляйте заготовку.** Заготовка, установленная в зажимное приспособление или в тиски, удерживается более надежно, чем в Вашей руке.

- ▶ **Выждите полной остановки электроинструмента и только после этого выпускайте его из рук.** Рабочий инструмент может заесть, и это может привести к потере контроля над электроинструментом.
- ▶ **Никогда не касайтесь рабочих инструментов или электроинструмента в районе рабочих инструментов после применения, поскольку они могут очень сильно нагреваться.** Существует опасность ожога.

Описание продукта и услуг



Прочтите все указания и инструкции по технике безопасности. Несоблюдение указаний по технике безопасности и инструкций может привести к поражению электрическим током, пожару и/или тяжелым травмам.

Пожалуйста, соблюдайте иллюстрации в начале руководства по эксплуатации.

Применение по назначению

Настоящий электроинструмент предназначен для долбежных работ в бетоне, кирпичной кладке, природном камне и асфальте, а также, с соответствующими принадлежностями, для вколачивания и утрамбовывания.

Изображенные составные части

Нумерация представленных компонентов относится к изображению электроинструмента на странице с иллюстрациями.

- (1) Колпачок для защиты от пыли
- (2) Фиксирующая втулка
- (3) Установочное кольцо зубила (Vario Lock)
- (4) Выключатель
- (5) Колесико установки числа ударов
- (6) Сервисный индикатор
- (7) Дополнительная рукоятка (с изолированной поверхностью)
- (8) Гайка с накаткой для дополнительной рукоятки
- (9) Рукоятка (с изолированной поверхностью)

Технические данные

Отбойный молоток		GSH 11 E
Товарный номер		0 611 316 7..
Ном. потребляемая мощность	Вт	1500
Число ударов	мин ⁻¹	900–1890
Сила одиночного удара в соответствии с ЕРТА-Procedure 05:2016	Дж	16,8
Положения зубила		12
Патрон		SDS max

Отбойный молоток GSH 11 E

Смазка		Постоянная смазка центральной системы
Масса согласно ЕРТА-Procedure 01:2014	кг	10,1
Класс защиты		□ / II

Параметры указаны для номинального напряжения [U] 230 В. При других значениях напряжения, а также в специфическом для страны исполнении инструмента возможны иные параметры.

Сборка

- ▶ **Перед любыми манипуляциями с электроинструментом вытаскивайте штепсель из розетки.**

Дополнительная рукоятка

- ▶ **Работайте с электроинструментом только с дополнительной рукояткой (7).**

Дополнительную рукоятку (7) можно устанавливать в любое положение для обеспечения безопасного и удобного рабочего положения.

- Ослабьте гайку с накаткой (8), поверните дополнительную рукоятку (7) вокруг оси электроинструмента в нужное положение и затяните гайку с накаткой (8).

Дополнительную рукоятку (7) можно переставить.

- Для этого полностью открутите гайку с накаткой (8) и извлеките винт с шестигранной головкой, потянув его вверх.
- Снимите дополнительную рукоятку (7), потянув ее в сторону, и поверните оставшийся зажимной элемент на 180°.
- Монтируйте дополнительную рукоятку (7) в обратной последовательности.

Замена рабочего инструмента

С помощью патрона SDS-max Вы можете просто и удобно сменить рабочий инструмент без дополнительного инструмента.

Колпачок для защиты от пыли (1) предотвращает проникновение образующейся при сверлении пыли в патрон. При установке рабочего инструмента следите за тем, чтобы не повредить колпачок для защиты от пыли (1).

- ▶ **Поврежденный колпачок для защиты от пыли следует немедленно заменить. Это рекомендуется выполнять силами сервисной мастерской.**

Установка рабочего инструмента (см. рис. А)

- Очистите и слегка смажьте вставляемый хвостовик рабочего инструмента.
- Оттяните фиксирующую гильзу (2) назад и, слегка вращая, вставьте рабочий инструмент в патрон. Отпустите фиксирующую гильзу (2), чтобы зафиксировать рабочий инструмент.
- Проверьте фиксацию, попытавшись вытянуть рабочий инструмент.

Извлечение инструмента из патрона (см. рис. В)

- Оттяните фиксирующую гильзу (2) назад и снимите рабочий инструмент.

Удаление пыли и стружки

Пыль некоторых материалов, как напр., красок с содержанием свинца, некоторых сортов древесины, минералов и металлов, может быть вредной для здоровья. Прикосновение к пыли и попадание пыли в дыхательные пути может вызвать аллергические реакции и/или заболевания дыхательных путей оператора или находящегося вблизи персонала.

Определенные виды пыли, напр., дуба и бука, считаются канцерогенными, особенно совместно с присадками для обработки древесины (хромат, средство для защиты древесины). Материал с содержанием асбеста разрешается обрабатывать только специалистам.

- Хорошо проветривайте рабочее место.
- Рекомендуется пользоваться респираторной маской с фильтром класса P2.

Соблюдайте действующие в Вашей стране предписания для обрабатываемых материалов.

Работа с инструментом**Включение электроинструмента**

- ▶ **Примите во внимание напряжение в сети! Напряжение источника электропитания должно соответствовать напряжению, указанному на фирменной табличке электроинструмента. Электроинструменты на 230 В могут работать также и при напряжении 220 В.**

Включение/выключение

- Для **включения** электроинструмента передвиньте выключатель (4) вправо.
- Для **выключения** электроинструмента передвиньте выключатель (4) влево.

При низких температурах электроинструмент достигает полную мощность удара только через определенное время. Это время запуска Вы можете сократить, выполнив для этого удар о пол вставленным в электроинструмент рабочим инструментом.

Установка числа ударов

Электроника регулирования позволяет бесступенчато устанавливать число ударов в зависимости от материала. Электронная система стабилизации выдерживает установленное число ударов между холостым ходом и работой под нагрузкой почти постоянным.

- С помощью регулировочного колесика (5) установите соответствующее материалу число ударов.

Изменение положения зубила (Vario Lock)

Зубило можно зафиксировать в 12 положениях. Благодаря этому Вы можете занять соответственно оптимальное положение.

- Вставьте зубило в патрон.

- Сдвиньте установочное кольцо зубила (3) вперед и поверните зубило с помощью установочного кольца (3) в нужное положение.
- Отпустите установочное кольцо зубила (3) и поверните зубило так, чтобы оно вошло в зацепление.

Указания по применению**Заточка долбежного инструмента (см. рис. С)**

Хорошие результаты в работе можно достичь только с острым инструментом. Поэтому своевременно затачивайте долбежный инструмент. Это обеспечивает продолжительный срок службы инструмента и хорошие результаты работы.

Затачивание

Точите долбежные инструменты на шлифовальных кругах, например, на кругах из белого электрокорунда, с равномерной подачей воды. Следите за тем, чтобы крошки не окрашивались в цвета побежалости, иначе это скажется на твердости реза.

Для **ковки** нагревайте долбежный инструмент до температуры от 850 до 1050 °С (светло-красный до желтого). Для **закалки** нагревайте долбежный инструмент до температуры ок. 900 °С и резко охлаждайте в масле. Затем отпустите инструмент в печи в течение ок. одного часа при 320 °С (цвет отпуска светло-синий).

Техобслуживание и сервис**Техобслуживание и очистка**

- ▶ **Перед любыми манипуляциями с электроинструментом вытаскивайте штепсель из розетки.**
 - ▶ **Для обеспечения качественной и безопасной работы содержите электроинструмент и вентиляционные прорези в чистоте.**
- Если требуется поменять шнур, во избежание опасности обращайтесь на фирму **Bosch** или в авторизованную сервисную мастерскую для электроинструментов **Bosch**.
- ▶ **Поврежденный колпачок для защиты от пыли следует немедленно заменить. Это рекомендуется выполнять силами сервисной мастерской.**

Реализацию продукции разрешается производить в магазинах, отделах (секциях), павильонах и киосках, обеспечивающих сохранность продукции, исключающих попадание на неё атмосферных осадков и воздействие источников повышенных температур (резкого перепада температур), в том числе солнечных лучей.

Продавец (изготовитель) обязан предоставить покупателю необходимую и достоверную информацию о продукции, обеспечивающую возможность её правильного выбора. Информация о продукции в обязательном порядке должна содержать сведения, перечень которых установлен законодательством Российской Федерации.

Если приобретаемая потребителем продукция была в употреблении или в ней устранялся недостаток (недостатки), потребителю должна быть предоставлена информация об этом.

В процессе реализации продукции должны выполняться следующие требования безопасности:

- Продавец обязан довести до сведения покупателя фирменное наименование своей организации, место её нахождения (адрес) и режим её работы;
- Образцы продукции в торговых помещениях должны обеспечивать возможность ознакомления покупателя с надписями на изделиях и исключать любые самостоятельные действия покупателей с изделиями, приводящие к запуску изделий, кроме визуального осмотра;
- Продавец обязан довести до сведения покупателя информацию о подтверждении соответствия этих изделий установленным требованиям, о наличии сертификатов или деклараций о соответствии;
- Запрещается реализация продукции при отсутствии (утрате) её идентификационных признаков, с истёкшим сроком годности, следами порчи и без инструкции (руководства) по эксплуатации, обязательного сертификата соответствия либо знака соответствия.

Сервис и консультирование по вопросам применения

Сервисный отдел ответит на все Ваши вопросы по ремонту и обслуживанию Вашего продукта, а также по запчастям. Изображения с пространственным разделением деталей и информацию по запчастям можно посмотреть также по адресу:

www.bosch-pt.com

Коллектив сотрудников Bosch, предоставляющий консультации на предмет использования продукции, с удовольствием ответит на все Ваши вопросы относительно нашей продукции и ее принадлежности.

Пожалуйста, во всех запросах и заказах запчастей обязательно указывайте 10-значный товарный номер по заводской табличке изделия.

Для региона: Россия, Беларусь, Казахстан, Украина

Гарантийное обслуживание и ремонт электроинструмента, с соблюдением требований и норм изготовителя производятся на территории всех стран только в фирменных или авторизованных сервисных центрах «Роберт Бош».

ПРЕДУПРЕЖДЕНИЕ! Использование контрафактной продукции опасно в эксплуатации, может привести к ущербу для Вашего здоровья. Изготовление и распространение контрафактной продукции преследуется по Закону в административном и уголовном порядке.

Дополнительные адреса сервисных центров вы найдете по ссылке:

www.bosch-pt.com/serviceaddresses

В случае выхода электроинструмента из строя в течение гарантийного срока эксплуатации по вине изготовителя, владелец имеет право на бесплатный гарантийный ремонт, при соблюдении следующих условий:

- отсутствие механических повреждений;
- отсутствие признаков нарушения требований руководства по эксплуатации
- наличие в руководстве по эксплуатации отметки продавца о продаже и подписи покупателя;

- соответствие серийного номера электроинструмента и серийному номеру в гарантийном талоне;
- отсутствие следов неквалифицированного ремонта.

Гарантия не распространяется на:

- любые поломки, связанные с форс-мажорными обстоятельствами;
- нормальный износ: электроинструмента, так же, как и все электрические.

Гарантией не покрывается ремонт, потребность в котором возникает вследствие нормального износа, сокращающего срок службы таких частей инструмента, как присоединительные контакты, провода, щётки и т.п.:

- естественный износ (полная выработка ресурса);
- оборудование и его части, выход из строя которых стал следствием неправильной установки, несанкционированной модификации, неправильного применения, нарушение правил обслуживания или хранения;
- неисправности, возникшие в результате перегрузки электроинструмента. (К безусловным признакам перегрузки инструмента относятся: появление цвета побелости, деформация или оплавление деталей и узлов электроинструмента, потемнение или обугливание изоляции проводов электродвигателя под действием высокой температуры.)

Утилизация

Отслужившие свой срок электроинструменты, принадлежности и упаковку следует сдавать на экологически чистую рециркуляцию отходов.



Утилизируйте электроинструмент отдельно от бытового мусора!

استعمال كابل تمديد مخصص للاستعمال في الأماكن المكشوفة من خطر الصدمات الكهربائية. **إن لم يكن بالإمكان تجنب تشغيل العدة الكهربائية في الأجواء الرطبة، فاستخدم مفتاح للوقاية من التيار المتخلف.** إن استخدام مفتاح للوقاية من التيار المتخلف يقلل خطر الصدمات الكهربائية.

أمان الأشخاص

كن يقظا وانتبه إلى ما تفعله واستخدم العدة الكهربائية بتعقل. لا تستخدم عدة كهربائية عندما تكون متعبا أو عندما تكون تحت تأثير المخدرات أو الكحول أو الأدوية. عدم الانتباه للحظة واحدة عند استخدام العدة الكهربائية قد يؤدي إلى إصابات خطيرة.

قم بارتداء تجهيزات الحماية الشخصية. وارتد دائما نظارات واقية. إن ارتداء تجهيزات الحماية الشخصية، كقناع الوقاية من الغبار وأحذية الأمان الواقية من الانزلاق والوذو أو واقية الأذنين، حسب ظروف استعمال العدة الكهربائية، يقلل من خطر الإصابة بجروح.

تجنب التشغيل بشكل غير مقصود. تأكد من كون العدة الكهربائية مطفاة قبل توصيلها بالتيار الكهربائي و/أو بالمركم، وقبل رفعها أو حملها. إن كنت تضع إصبعك على المفتاح أثناء حمل العدة الكهربائية أو إن وصلت الجهاز بالشبكة الكهربائية بينما المفتاح على وضع التشغيل، فقد يؤدي هذا إلى وقوع الحوادث.

انزع أي أداة ضبط أو مفتاح ربط قبل تشغيل العدة الكهربائية. قد يؤدي ترك أداة أو مفتاح في جزء دوار من الجهاز إلى الإصابة بجروح.

تجنب أوضاع الجسم غير الطبيعية. قف بأمان وحافظ على توازنك دائما. سيسمح لك ذلك بالتمكك في الجهاز بشكل أفضل في المواقع غير المتوقعة.

قم بارتداء ثياب مناسبة. لا ترتد الثياب الفضفاضة أو الحللي المتدلية. حافظ على إبقاء الشعر والثياب والقفازات على بعد عن أجزاء الجهاز المتحركة. قد تتشابك الثياب الفضفاضة والحلى والشعر الطويل بالأجزاء المتحركة.

في حالة التزود بتجهيزات شفط وتجميع الغبار، فتأكد من أنها موصلة ومستخدمة بشكل سليم. قد يقلل استخدام تجهيزات شفط الغبار من المخاطر الناتجة عن الغبار.

استخدام العدة الكهربائية والعناية بها

لا تفرط في تحميل الجهاز. استخدم لتنفيذ أشغالك العدة الكهربائية المخصصة لذلك. استخدام العدة الكهربائية الصحيحة سنجز العمل بصورة أفضل وأكثر أمانا بالمعدل الذي صممت من أجله.

لا تستخدم العدة الكهربائية إن كان مفتاح تشغيلها معطل. العدة الكهربائية التي لم يعد من الممكن التمكن بها عن طريق مفتاح التشغيل والإطفاء تعتبر خطيرة ويجب أن يتم إصلاحها.

عند القاسم من المقسم و/أو انزع المركم من العدة الكهربائية قبل إجراء أي أعمال الضبط على الجهاز وقبل استبدال التوابع أو قبل تخزين العدة الكهربائية. تقلل هذه

عربي

إرشادات الأمان

تحذيرات أمان عامة للعدد الكهربائية

اقرأ جميع تحذيرات الأمان والتعليمات. عدم مراعاة

تحذيرات الأمان وعدم اتباع التعليمات قد يؤدي إلى الصدمات الكهربائية و/أو نشوب حرائق و/أو الإصابة بجروح خطيرة.

احتفظ بجميع تحذيرات الأمان والتعليمات للرجوع إليها فيما بعد.

يقصد بمصطلح «العدة الكهربائية» المستخدم في تحذيرات الأمان، العدد الكهربائية الموصلة بالشبكة الكهربائية (بواسطة كابل الشبكة الكهربائية) وأيضا العدد الكهربائية المشغلة بمركم (دون كابل الشبكة الكهربائية).

الأمان بمكان العمل

احرص على أن يكون مكان العمل نظيفا ومضاء بشكل جيد. الفوضى في مكان العمل ونطاقات العمل غير المضاءة قد تؤدي إلى وقوع الحوادث.

لا تشغل العدة الكهربائية في أجواء معرضة لخطر الانفجار، مثل الأماكن التي تتوفر فيها السوائل أو الغازات أو الأبخرة القابلة للاشتعال. العدد الكهربائية تولد شررا قد يتسبب في إشعال الأبخرة والأبخرة.

احرص على بقاء الأطفال وغيرهم من الأشخاص بعيدا عند تشغيل العدة الكهربائية. تشتت الانتباه قد يتسبب في فقدان السيطرة على الجهاز.

الأمان الكهربائي

يجب أن تكون قوابس العدد الكهربائية متلائمة مع المقابس. لا يجوز تعديل القابس بأي صورة من الصور. لا تستعمل القوابس المهيأة مع العدد الكهربائية المؤرسة (ذات طرف أرضي). تقلل القوابس التي لم يتم تعديلها والمقابس المتلائمة من خطر الصدمات الكهربائية.

تجنب ملامسة جسمك للأسطح المؤرسة كالأنابيب والمبردات والمواقد أو الثلجات. يزداد خطر الصدمات الكهربائية عندما يكون جسمك مؤرر أو موصل بالأرضي.

أبعد العدد الكهربائية عن الأمطار أو الرطوبة. يزداد خطر الصدمات الكهربائية إن تسرب الماء إلى داخل العدة الكهربائية.

لا تسئ استعمال الكابل. لا تستخدم الكابل في حمل العدة الكهربائية أو سحبها أو سحب القابس من المقبس. احرص على إبعاد الكابل عن الحرارة والزيت والحواف الحادة أو الأجزاء المتحركة. تزيد الكابلات التالفة أو المتشابكة من خطر الصدمات الكهربائية.

عند استخدام العدة الكهربائية خارج المنزل اقتصر على استخدام كابلات التمديد الصالحة للاستعمال في الأماكن المكشوفة. يقلل

- الإجراءات وقائية من خطر تشغيل العدة الكهربائية بشكل غير مقصود.
- احتفظ بالعدد الكهربائية التي لا يتم استخدامها بعيداً عن متناول الأطفال. لا تسمح باستخدام العدة الكهربائية لمن لا خبرة له بها أو لمن لم يقرأ تلك التعليمات. العدد الكهربائية خطيرة إن تم استخدامها من قبل أشخاص دون خبرة.
- احرص على صيانة العدد الكهربائية. تأكد أن أجزاء الجهاز المتحركة مركبة بشكل سليم وغير مستعصبة الحركة، وتفحص ما إن كانت هناك أجزاء مكسورة أو في حالة تؤثر على سلامة أداء العدة الكهربائية. ينبغي إصلاح هذه الأجزاء التالفة قبل إعادة تشغيل الجهاز. الكثير من الحوادث مصدرها العدد الكهربائية التي تتم صيانتها بشكل رديء.
- احرص على إبقاء عدد القطع نظيفة وحادة. إن عدد القطع ذات حواف القطع المادة التي تم صيانتها بعناية تتكلم بشكل أقل ويمكن توجيهها بشكل أسير.
- استخدم العدد الكهربائية والتوابع وريش الشغل إلخ. وفقاً لهذه التعليمات. تراعى أثناء ذلك ظروف الشغل والعمل المراد تنفيذه. استخدام العدد الكهربائية لغير الأعمال المخصصة لأجلها قد يؤدي إلى حدوث الحالات الخطيرة.

وصف المنتج والأداء

- انتظر إلى أن تتوقف العدة الكهربائية عن الحركة قبل أن تضعها جانباً. قد تتكلم عدة الشغل فتؤدي إلى فقدان السيطرة على العدة الكهربائية.
- لا تقم أبداً بلمس عدة الشغل أو العدة الكهربائية من الجزء القريب من عدة الشغل بعد الاستخدام، فقد تكون ساخنة للغاية. حيث ينطوي الأمر على خطر الإصابة بحروق.



يرجى الرجوع إلى الصور الموجودة في الجزء الأول من دليل التشغيل.

الاستعمال المخصص

الجهاز مخصص لأعمال النحت في الخرسانة والطوب والحجر والأسفلت كما أنه يصلح للدرس والدك عند تزويده بالتوابع المطلوبة.

الأجزاء المصورة

يشير ترقيم الأجزاء المصورة إلى الصورة المعروضة للعدة الكهربائية في صفحة الرسوم.

- (1) غطاء الوقاية من الغبار
- (2) لبيسة إقفال
- (3) حلقة تغيير وضع الإزميل (تغيير/إقفال)
- (4) مفتاح التشغيل والإطفاء
- (5) عجلة ضبط عدد الطرق مسبقاً
- (6) مؤشر الصيانة
- (7) مقبض إضافي (سطح قبض معزول)
- (8) صامولة محززة للمقبض الإضافي
- (9) مقبض (مقبض مسك معزول)

البيانات الفنية

مطرقة دق		GSH 11 E	
رقم الصنف	0 611 316 7..		
قدرة الدخل الاسمية	واط	1500	
عدد الطرقات	min ⁻¹	900-1890	
قوة الطريقة المفردة حسب EPTA	جول	16,8	
Procedure 05:2016			

الخدمة

- احرص على إصلاح عدتك الكهربائية فقط بواسطة الفنيين المتخصصين وباستعمال قطع الغيار الأصلية فقط. يضمن ذلك المحافظة على أمان الجهاز.

تحذيرات الأمان المتعلقة بالمطرقة

- احرص على ارتداء واقيات للأذنين. التعرض للضوضاء قد يتسبب في فقدان السمع.
- استخدم المقبض (المقابض) الإضافية إذا كانت العدة مزودة بها. فقدان السيطرة على المعدة قد يتسبب في حدوث إصابات.
- أمسك العدة الكهربائية من أسطح المسك المعزولة عند القيام بأعمال قد يترتب عليها ملامسة ملحق القطع لأسلاك كهربائية غير ظاهرة أو للسلك الخاص بالعدة نفسها.
- ملامسة ملحق القطع لسلك «مكهرب» قد يتسبب في مرور التيار في الأجزاء المعدنية من العدة وجعلها «مكهربة» مما قد يصيب المشغل بصدمة كهربائية.
- استخدم أجهزة تنقيب ملائمة للعثور على خطوط الامداد غير الظاهرة، أو استعن بشركة الامداد المحلية. ملامسة الفسوط الكهربائية قد تؤدي إلى اندلاع النار وإلى الصدمات الكهربائية. حدوث أضرار بخطر الغاز قد يؤدي إلى حدوث انفجارات. اختراق خط الماء يشكل الأضرار المادية أو قد يؤدي إلى الصدمات الكهربائية.
- أمسك العدة الكهربائية جيداً بكلتا اليدين عند العمل، واحرص على أن تكون في وضعية ثابتة. يتم توجيه العدة الكهربائية بأمان بواسطة اليدين الإثنتين.

شفط الغبار/النشارة

إن أغبرة بعض المواد كإطلاء الذي يحتوي على الرصاص، وبعض أنواع الخشب والفلاتر والمعادن، قد تكون مضرّة بالصحة. إن ملامسة أو استنشاق الأغبرة قد يؤدي إلى ردود فعل زائدة الحساسية و/أو إلى أمراض المجاري التنفسية لدى المستخدم أو لدى الأشخاص المتواجدين على مقربة من المكان. تعتبر بعض الأغبرة المعينة، كأغبرة البلوط والزان من مسببات السرطان، وبالأخص عند اتصالها بالمواد الإضافية الخاصة بمعالجة الخشب (ملح حامض الكروميك، المواد الحافظة للخشب). يجوز أن يتم معالجة المواد التي تحتوي على الأسبستوس من قبل العمال المتخصصين فقط دون غيرهم.

- حافظ على تهوية مكان الشغل بشكل جيد.
- ينصح بارتداء قناع ووقاية للتنفس من فئة المرشح P2.

تراعى الأحكام السارية في بلدكم بالنسبة للمواد المرغوب معالجتها.

التشغيل

بدء التشغيل

◀ يراعى جهد الشبكة الكهربائية! يجب أن يتطابق جهد منبع التيار مع المعلومات المذكورة على لافتة طراز العدة الكهربائية. يمكن أن يتم تشغيل العدد الكهربائية المميزة بعلامة 230 فلت في مقبس 220 فلت أيضاً.

التشغيل والإطفاء

- لغرض تشغيل العدة الكهربائية حرك مفتاح التشغيل والإطفاء (4) إلى اليمين.
- لغرض إطفاء العدة الكهربائية حرك مفتاح التشغيل والإطفاء (4) إلى اليسار.

لا تتوصل العدة الكهربائية إلى قدرة الطرق الكاملة عندما تكون درجات الحرارة منخفضة إلا بعد فترة زمنية معينة. يمكنك أن تقصر هذه الفترة الابتدائية من خلال دق عدة الشغل المركبة في العدة الكهربائية مرة واحدة بالأرض.

ضبط عدد الطرق

يسمح المنظم الإلكتروني لضبط عدد الطرق مسبقاً دون تدريج للعمل بطريقة ملائمة للمادة. يحافظ التثبيت الإلكتروني على شبه ثبات عدد الطرق المحدد مسبقاً بين الدوران اللاحملي والدوران على حمل.

- اضبط عدد الطرق بواسطة عجلة الضبط (5) حسب المادة.

تغيير وضع الإزميل (Vario Lock)

يمكنك تثبيت الإزميل في 12 أوضاع. ويمكنك بذلك أن تتخذ وضعية الشغل الأنسب في كل حالة.

- ركب الإزميل في حاضن العدة.
- ادفع حلقة ضبط وضع الإزميل (3) إلى الأمام وأدر الإزميل إلى الوضع المرغوب بواسطة حلقة ضبط وضع الإزميل (3).
- اترك حلقة ضبط وضع الإزميل (3) وأدر الأزميل إلى أن يثبت.

GSH 11 E

مطرقة دق

أوضاع الإزميل	12
حاضن العدة	SDS-max
تزييق	تزييق مركزي مستمر
الوزن حسب EPTA- Procedure 01:2014	10,1 كجم
فئة الحماية	II/□

تسري البيانات على جهد اسمي [U] يبلغ 230 فلت. قد تختلف تلك البيانات حسب اختلاف الجهد والطرازات الخاصة بكل دولة.

التركيب

◀ اسحب القابس من مقبس الشبكة الكهربائية قبل إجراء أي عمل على العدة الكهربائية.

مقبض إضافي

◀ استخدم العدة الكهربائية فقط مع المقبض الإضافي (7).

يمكنك تحريك المقبض الإضافي (7) كما تريد للوصول إلى وضع عمل آمن ومريح.

- قم بفك الصامولة المحززة (8) أدر المقبض الإضافي (7) حول محور الجهاز لتصل إلى الوضع المرغوب وأعد ربط الصامولة المحززة (8) بإحكام. يمكنك تغيير تركيب المقبض الإضافي (7).

- لتنفيذ ذلك عليك أن تفك الصامولة المحززة (8) بشكل كامل ثم تخلع اللولب السداسي الحواف بسببه إلى أعلى.

- اخلع المقبض الإضافي (7) بسببه إلى الجانب وأدر قطعة الشد المتبقية بمقدار 180°.

- قم بتركيب المقبض الإضافي (7) بترتيب عكسي للخطوات.

استبدال العدد

يمكنك باستخدام حاضن العدة SDS-max يمكنك تغيير عدة الشغل بكل سهولة وراحة دون استخدام عدد إضافية.

يعمل غطاء الوقاية من الغبار (1) على منع دخول غبار الثقب إلى حاضن العدة أثناء الاستخدام. احرص أثناء استخدام العدة الكهربائية على عدم حدوث أضرار بغطاء الوقاية من الغبار (1).

◀ يجب تغيير غطاء الوقاية من الغبار التالف على الفور. وينصح أن يتم ذلك من قبل مركز خدمة العملاء.

تركيب عدة الشغل (انظر الصورة A)

- نظف طرف التلقيح بعدة الشغل وشحمه قليلاً.
- ادفع لبيسة الإقفال (2) إلى الخلف ولقم عدة الشغل في حاضن العدة أثناء قفلها. أطلق لبيسة الإقفال (2) من أجل تثبيت عدة الشغل.
- تفحص ثبات الإقفال من خلال سحب العدة.

فك عدة الشغل (انظر الصورة B)

- ادفع لبيسة الإقفال (2) إلى الخلف وانزع عدة الشغل.

إرشادات العمل

شحذ عدد النحت (انظر الصورة C)

يمكن التوصل إلى نتائج جيدة بواسطة عدد النحت الحادة فقط، لذا ينبغي شحذ عدد النحت في الوقت المناسب. ويضمن ذلك مدة صلاحية طويلة الأمد ونتائج شغل جيدة.

إعادة الشحذ

اشحذ عدد النحت بأقراص الشحذ، كالياقوت الكريم مثلاً، مع امداد منتظم بالماء. احرص على ألا تظهر ألوان ناتجة عن التلدين على حواف القطع، حيث يؤثر ذلك سلباً في صلابة الأزاميل.

من أجل **طرقه** ينبغي أن يحمي الإزميل إلى حد 850 حتى 1050 درجة مئوية (أحمر فاتح إلى أصفر).
من أجل **تصلبه** ينبغي أن يحمي الإزميل إلى حد 900 درجة مئوية تقريباً وأن تسقيه بالزيت. ثم اتركه بالفرن لمدة ساعة واحدة تقريباً عند درجة حرارة 320 درجة مئوية للتدين (لون التلدين أزرق فاتح).

الصيانة والخدمة

الصيانة والتنظيف

◀ اسحب القابض من مقبس الشبكة الكهربائية قبل إجراء أي عمل على العدة الكهربائية.

◀ للعمل بشكل جيد وأمن حافظ دائماً على نظافة العدة الكهربائية وفتحات التهوية.

إذا تطلب الأمر استبدال خط الإمداد، فينبغي أن يتم ذلك من قبل شركة **Bosch** أو من قبل مركز خدمة الزبائن المعتمد لشركة **Bosch** للعدد الكهربائية، لتجنب التعرض للمخاطر.

◀ يجب تغيير غطاء الوقاية من الغبار التالف على الفور. وينصح أن يتم ذلك من قبل مركز خدمة العملاء.

خدمة العملاء واستشارات الاستخدام

يجيب مركز خدمة العملاء على الأسئلة المتعلقة بإصلاح المنتج وصيانته، بالإضافة لقطع الغيار. تجد الرسوم التفصيلية والمعلومات الخاصة بقطع الغيار في الموقع: www.bosch-pt.com

يسر فريق **Bosch** لاستشارات الاستخدام مساعدتك إذا كان لديك أي استفسارات بخصوص منتجاتنا وملحقاتها.

يلزم ذكر رقم الصنف ذو الخانات العشر وفقاً للوحة صنع المنتج عند إرسال أية استفسارات أو طلبات قطع غيار.

تجد المزيد من عناوين الخدمة تحت:

www.bosch-pt.com/serviceaddresses

التخلص من العدة الكهربائية

ينبغي تسليم العدد الكهربائية والتوابع والعبوة إلى مركز معالجة النفايات بطريقة محافظة على البيئة.

لا ترم العدد الكهربائية ضمن النفايات المنزلية.



אחד של חוסר תשומת לב בדמן העבודה עם כלי העבודה החשמלי כדי לגרום פציעות קשות.

- ◀ **השתמשו בצידו מגן אישי. לבשו תמיד משקפי מגן.** ציוד מגן, כגון מסכת אבק, נעלי בטיחות מונעות החלקה, קסדה או מגני שמיעה וציוד נכון לתנאי העבודה מפחיתים את הסיכון לפציעות.
- ◀ **מנעו התחלת פעולה לא מכוונת. ודאו שהמתג נמצא במצב כבוי לפני שאתם מחברים את כלי העבודה החשמלי למקור חשמל ו/או לפני חיבור הסוללה, הרמה או בשיאה של הכלי.** נשיאת כלי העבודה החשמלי עם האצבע על המתג או אספקת חשמל לכלי עבודה הנמצאים במצב מופעל מגבירים את הסיכוי לתאונות.
- ◀ **הסירו את מפתח הברגים או כלי כווננו לפני הפעלת כלי העבודה החשמלי.** מפתח ברגים או כלי כווננו שנותרים מחוברים לחלק מסתובב של כלי העבודה החשמלי עלולים לגרום פציעות.
- ◀ **אין לעבוד ברכינה גדולה קדימה. שמרו על עמידה יציבה ומאוזנת בכל זמן.** כך תוכלו לשלוט טוב יותר בכלי העבודה החשמלי במצבים לא צפויים.
- ◀ **התלבשו באופן מתאים. אל תלבשו בגדים רופפים או תכשיטים. הרחיקו שיער, בגדים וכפפות מחלקים נעים.** בגדים רופפים, תכשיטים או שיער ארוך עלולים להיחפס בחלקים נעים.
- ◀ **אם אתם עובדים עם ציוד לשאיבת אבק ודאו שהמחברים מחוברים בצורה תקינה ונכונה.** שימוש בציוד לשאיבת אבק עשוי להפחית את הסכנות הנובעות מאבק.
- שימוש בכלי עבודה חשמליים וטיפול בהם**
- ◀ **אין לעבוד בכוח עם כלי העבודה החשמלי. השתמשו בכלי העבודה החשמלי המתאים לסוג העבודה שלכם.** כלי העבודה החשמלי המתאים יבצע את העבודה טוב יותר ובצורה בטוחה יותר, בהתאם לייעודו.
- ◀ **אין להשתמש בכלי העבודה החשמלי אם המתג אינו מפעיל ומכבה אותו.** כל כלי עבודה חשמלי שאי אפשר לשלוט בו באמצעות מתג ההפעלה/כיבוי הוא כלי מסוכן שיש לתקנו.
- ◀ **נתקו את התקע משקע החשמל ו/או הוציאו את הסוללה מכלי העבודה לפני ביצוע שינויים, החלפת אביזרים או אחסון כלי העבודה החשמלי.** אמצעי מנע אלה מפחיתים את הסיכון שכלי העבודה יתחיל לפעול בשוגג.
- ◀ **אחסנו את כלי העבודה כשאינו בשימוש הרחק מהישג ידם של ילדים, ואל תאפשרו לאנשים שאינם מכירים את כלי העבודה החשמלי והוראות אלה להפעיל את כלי העבודה החשמלי.** כלי עבודה חשמליים מסוכנים כשהם בידיים של משתמשים לא מנוסים.
- ◀ **תחזקו את כלי העבודה החשמליים. בדקו חוסר התאמה או תנועה לא חלקה בין חלקים נעים, בדקו חלקים שבורים או כל מצב אחר שעלול להשפיע על פעולת כלי העבודה החשמלי. אם כלי העבודה החשמלי ניזוק, דאגו לתקנו לפני השימוש.** תאונות רבות נגרמות מכלי עבודה חשמליים שאינם מתוחזקים כהלכה.
- ◀ **שמרו על כלי החיתוך חדים ונקיים.** יש לתחזק ולהשחיד את כלי החיתוך בהתאם להוראות, כך יהיה קל יותר לשלוט בהם ויש פחות סיכוי שהם ייתקעו בחומר.

עברית

הוראות בטיחות

אזהרות בטיחות כלליות לכלי עבודה חשמליים

אזהרה קראו את כל אזהרות הבטיחות וההנחיות. אי ציות לאזהרות או להנחיות עלול להוביל להתחשמלות, לשרפה ו/או לפציעות קשות.

שמרו את כל האזהרות וההנחיות לעיון בעתיד.

המונח "כלי עבודה חשמלי" באזהרות מתייחס לכלי עבודה המחברי לרשת החשמל (באמצעות כבל) או לכלי עבודה המופעל באמצעות סוללה (בטעון).

בטיחות באזור העבודה

- ◀ **שמרו על אזור העבודה נקי ומואר היטב.** אזורים לא מסודרים או חשוכים מגבירים את האפשרות לתאונות.
- ◀ **אל תפעילו כלי עבודה חשמליים באזורים בעלי סביבה נפיצה, כגון בנוכחות נוזלים וגזים דליקים.** כלי עבודה יוצרים ניצוצות, אשר עלולים להצית אבק או גזים.
- ◀ **הרחיקו ילדים ואנשים אחרים מכלי העבודה החשמלי במהלך העבודה.** היסח דעת עלול לגרום לכם לאבד את השליטה בכלי.

בטיחות חשמלית

- ◀ **התקע של כלי העבודה החשמלי חייב להתאים לשקע החשמלי. לעולם אין לערוך שינוי כלשהו בתקע. אין להשתמש בתקעים מתאימים עם כלי עבודה חשמליים מוארקים. תקעים מקוריים ושקעים תואמים מפחיתים את הסיכון להתחשמלות.**
- ◀ **הימנעו ממגע במשטחים מוארקים, כגון צינורות, רדיאטורים, תנורים ומקררים.** כאשר גופכם מוארק גדל הסיכון להתחשמלות.
- ◀ **אין לחשוף כלי עבודה חשמליים לגשם או לרטיבות.** מים שחדרים לכלי העבודה החשמלי מגדילים את הסיכון להתחשמלות.
- ◀ **אין לפגוע בכבל החשמל. בשום אופן אין להשתמש בכבל החשמלי לנשיאה או למשיכה של כלי העבודה החשמלי או לכיתוק התקע. הרחיקו את הכבל החשמלי מחום, שמן, קצוות חדים או חלקים נעים.** כבלים חשמליים פגומים או מפותלים מגדילים את הסיכון להתחשמלות.
- ◀ **בעבודה עם כלי עבודה חשמלי בחוץ יש להשתמש בכבל מאריך המתאים לעבודה בחוץ. עבודה עם כבל מאריך המתאים לעבודה בחוץ מפחיתה את הסיכון להתחשמלות.**
- ◀ **אם אין ברירה אלא לעבוד עם כלי העבודה החשמלי בסביבה לחה יש לחבר אותו למקור חשמל המוגן באמצעות ממסר פחת (RCD).** שימוש בממסר פחת מפחית את הסיכון להתחשמלות.

בטיחות אישית

- ◀ **היו עירניים תמיד, שימו לב לפעולות שלכם ונהגו בתבונה כשאתם משתמשים בכלי העבודה החשמלי. אל תשתמשו בכלי העבודה החשמלי כשאתם עייפים או תחת השפעת סמים, אלכוהול או תרופות.** די ברגע

רכיבים מוצגים

מספור הרכיבים המוצגים מתייחס לתצוגה של כלי העבודה החשמלי בדף התרשימים.

- (1) מגן אבק
- (2) שרזול נעילה
- (3) טבעת כוונון לאדמל (Vario Lock)
- (4) מתג הדלקה/כיבוי
- (5) גלגל כוונון קצב ההלימות
- (6) תצוגת שירות
- (7) ידית עזר (משטח אחיזה מבודד)
- (8) אום ידנית עבור ידית העזר
- (9) ידית אחיזה (משטח אחיזה מבודד)

נתונים טכניים

פטישון		GSH 11 E
מק"ט		0 611 316 7..
הספק בקוב	W	1500
קצב הלימות	min ⁻¹	1890-900
עוצמת הלימה לפי EPTA-Procedure 05:2016	J	16.8
מצבי אדמל		12
תפסנית		SDS-max
שימון		סיכה מרכזית קבועה
משקל לפי EPTA-Procedure 01:2014	ק"ג	10.1
דירוג הגנה		II/□

הערכים שניתנו תקפים למתח נומינלי (U) של 230V. למתח נמוך יותר ולדגמים בארצות מסוימות ערכים אלה עשויים להשתנות.

התקנה

לפני כל עבודה בכלי העבודה יש לנתק את התקע משקע החשמל.

ידית עזר

השתמשו בכלי רק עם ידית העזר (7).

תוכלו לטובב ידית זו כרצונכם (7) כדי להגיע לתנוחת עבודה בטוחה ונטולת מאמץ.

– שחררו את האום הידנית (8), הטו את ידית העזר (7) סביב ציר המכשיר אל המיקום המבוקש, והדקו בחזרה את האום הידנית (8).

אפשר לשנות את מיקום ההתקנה של הידית הנוספת (7).

– לשם כך הבריגו החוצה עד הסוף את האום הידנית (8), ולאחר מכן הוציאו כלפי מעלה את הבורג המשושה.

– הסירו את ידית העזר (7) הצדה, והטו את רכיב ההידוק שנשאב ב-180°.

– התקינו את ידית העזר (7) בסדר הפוך לסדר הפירוק.

החלפת אביזר

בעזרת תפסנית SDS-max תוכלו להחליף את האביזר בקלות ובנוחות ללא שימוש בכלים נוספים.

השתמשו בכלי העבודה החשמלי, באביזרים ובכלים המחוברים אליו בהתאם להוראות אלה, תוך התחשבות בסביבת העבודה ובעבודה שעליכם לבצע. שימוש בכלי העבודה החשמלי לעבודות שלא לשמן הוא מיועד עלול להוביל למצבים מסוכנים.

שירות

הביאו את כלי העבודה שלכם לתיקונים ולטיפולים רק במעבדת תיקונים מורשית, המשתמשת בחלקי חילוף מקוריים. כך תבטיחו שמירה על בטיחות כלי העבודה.

הוראות בטיחות לפטישים

השתמשו במגני שמיעה. חשיפה לרעש עלולה לגרום לאבדן שמיעה.

השתמשו בידי/ידיות העזר אם סופקו עם הכלי. אובדן שליטה עלול לגרום לפציעה.

יש לאחזו בכלי העבודה במשטחי האחיזה המבודדים שלו בעת ביצוע פעולה שבה אביזר החיתוך עלול לפגוע במוליכי חשמל סמויים או בכבל ההדנה של הכלי עצמו. אביזר חיתוך שבא במגע עם מוליכים "חיים" עלול להפוך את חלקי המתכת החשופים של הכלי ל"חיים" ולחשמל את המפעיל.

השתמשו בציוד מתאים כדי לאתר קווי אספקה מוסתרים או הזמינו לשם כך טכנאי של חברת החשמל, הגד או המים. מגע בכבלים חשמליים עלול לגרום לשריפה או להתחשמלות. נדק לצברת גד עלול לגרום לפיצוץ. חזירה לצברת מים תגרום נדק לרכוש ועלולה לגרום אף להתחשמלות.

אחזו את הכלי היטב בשתי ידיים בעת העבודה. עבודה בשתי ידיים מבטיחה הובלה טובה יותר של הכלי.

ודא תמיד שאתה עומד יציב. שים לב שאיש לא נמצא מתחתך כאשר אתה משתמש בכלי במקום גבוה, כמו למשל על גבי סולם.

אבטו את החלק שבעבודה. חלק שמהודק באמצעות התקן הידוק או מלחציים מוחזק בטוח יותר מאשר החזקה ידנית.

המתינו עד שהכלי החשמלי נעצר לגמרי לפני שאתם מניחים אותו. הלהב עלול להיתקע ולגרום לאובדן השליטה על כלי העבודה.

לעולם אין לגעת בכלי המחובר או בכלי העבודה החשמלי בסמוך לשימוש, הוא עלול להיות חם מאוד. קיימת סכנה לכוויה.

תיאור המוצר והביצועים שלו

קראו את הוראות הבטיחות וההנחיות. אי ציות להוראות הבטיחות ולהנחיות עלול להוביל להתחשמלות, שריפה ו/או פציעות קשות. שימו לב בבקשה לאיורים בחלק הקדמי של



ההוראות הפעלה.

שימוש בהתאם לייעוד

כלי זה מיועד לעבודות חציבה בבטון, בלבנים, באבן ובאספלט, וכן בעזרת אביזרים מתאימים גם להידוק ולדחיסה.

- הכניסו את האדמל לתפסנית.
- דחפו את טבעת הכוונון של האדמל (3) קדימה, ובעזרת טבעת הכוונון (3) וסובבו את האדמל למצב הרצוי.
- הרפו מטבעת הכוונון של האדמל (3) וסובבו את האדמל עד שהוא נבעל במקומו.

הוראות עבודה

השחתת כלי החציבה (ראו אזור C)

רק אדמל מושחז מאפשר להגיע לתוצאות טובות, לכן הקפידו להשחזר את האדמל בזמן. כך תבטיחו חיי שירות ארוכים של כלי העבודה ותוצאות טובות.

השחזה

השחזו את האדמל בעזרת אבן השחזה, למשל קורונדום, תוך אספקת מים מתמדת. ודאו שאין שינוי גוון בלהב; הדבר משפיע על הקשיות של האדמל. לצורך **חיסול** חממו את האדמל לטמפרטורה של 850°C עד 1050°C (אדום בהיר עד צהוב). לצורך **הקשחה** חממו את האדמל לכ-900°C וקררו אותו בשמן. לאחר מכן הכניסו אותו לתנור למשך כשעה בחום של 320°C (גוון חיטול תכלת).

תחזוקה ושירות

תחזוקה וניקוי

◀ לפני כל עבודה בכלי העבודה יש לנתק את התקע משקע החשמל.

◀ שמרו על ניקיון כלי העבודה ופתחי האווור, כדי להבטיח עבודה טובה ובטוחה.

אם צריך להחליף את כבל החשמל, יש לבצע זאת על ידי Bosch או על ידי מעבדת שירות מורשה של לדיקו נציגת Bosch בישראל.

◀ יש להחליף מיד מגן אבק פגום. מומלץ לעשות זאת בשירות הלקוחות.

שירות לקוחות וייעוץ לקוחות

שירות הלקוחות יענה לשאלותכם בנושא תיקונים ותחזוקת המוצר כמו גם בנושא חלקי חילוף. שרטוטים מפורטים ומידע על חלקי חילוף תמצאו בכתובת: www.bosch-pt.com צוות היועצים של Bosch ישמח לענות על כל שאלה שלכם בנוגע למוצרים או לאביזרים שלנו. בכל פנייה והזמנת חלקי חילוף יש לציין את מספר הפריט בן 10 ספרות, כמצוין על לוחית הדגם של המוצר.

ישראל

לדיקו בע"מ
רחוב לרוב 31, ראשל"צ 7565434
טל': 03-9630040
פקס: 03-9630050
דוא"ל: service@ledico.com

כתובות שירות נוספות תמצאו כאן:

www.bosch-pt.com/serviceaddresses

סילוק

כלי עבודה חשמליים, אביזרים ואריזות יש להביא למיחזור ידיוותי לסביבה.

מגן האבק (1) מונע חדירת אבק לתוך התפסנית במהלך העבודה. בעת הכנסת אדמל לתפסנית חשוב לוודא שמגן האבק (1) אינו ניזוק.

◀ מגן אבק פגום יש להחליפו מיידית. מומלץ לעשות זאת בשירות הלקוחות.

הכנסת אביזר (ראו תמונה A)

- נקו את קצה האביזר ושמונו אותו מעט.
- דחפו את שרול הנעילה (2) אחורה, והכניסו את האביזר בסיבוב אל התפסנית. הרפו משרול הנעילה (2) כדי לנעול את אביזר העבודה.
- בצעו משיכת ניסיון של האביזר כדי לוודא שהוא נעול.

הוצאת האביזר (ראו תמונה B)

- דחפו את שרול הנעילה (2) לאחור והוציאו את האביזר.

שאיבת אבק/שבבים

- אבק מחומרים כגון צבעים המכילים עופרת, סוגי עץ מסוימים, מינרלים ומתכות עלול להזיק לבריאות. נגיעה בסוגי אבק אלה או שאיפתם עלולות לגרום לתגובות אלרגיות ו/או למחלות בדרכי הנשימה של המשתמש או של עוברי אורח.
- סוגי אבק מסוימים, כגון אבק של עץ אלון או אשור, נחשבים מסרטנים, במיוחד בשילוב עם חומרים אחרים המשמשים לטיפול בעץ (כרומט, חומר הגנה לעץ). רק מומחים רשאים לעבוד בחומרים המכילים אסבסט.
- יש לדאוג לאווור מספיק במקום העבודה.
- מומלץ לחבוש מסכת נשימה הכוללת מסנן בדרגה P2.
- שימו לב לתקנות הרלוונטיות בארצכם לגבי עבודה עם חומרים אלו.

תפעול

הפעלה ראשונה

◀ שימו לב למתח רשת החשמל! המתח במקור החשמל חייב להתאים לנתונים המצוינים על לוחית הדגם של כלי העבודה החשמלי. כלי עבודה המסומנים ב-V-230 יכולים לפעול גם במתח של 220 V.

הדלקה/כיבוי

- כדי להפעיל את כלי העבודה החשמלי, דחפו את מתג ההדלקה/כיבוי (4) ימינה.
- כדי לכבות את כלי העבודה החשמלי, דחפו את מתג ההדלקה/כיבוי (4) שמאלה.
- בטמפרטורות נמוכות, כלי העבודה החשמלי מגיע למלוא עוצמת העבודה שלו רק לאחר פרק זמן מסוים. ניתן לקצר זמן זה על ידי חבטה קלה של הכלי שהוכנס פעם אחת על הרצפה.

כוונן קצב הלימות

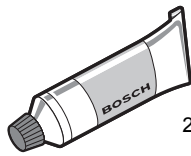
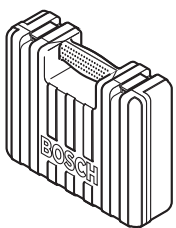
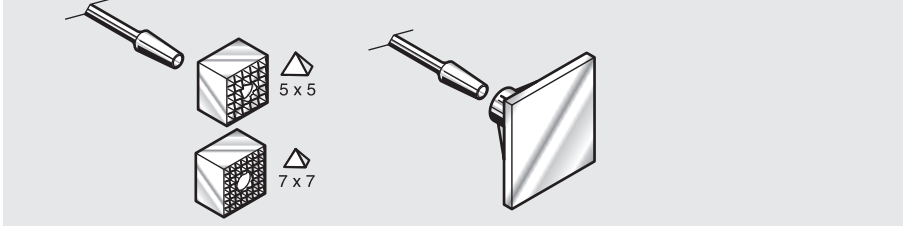
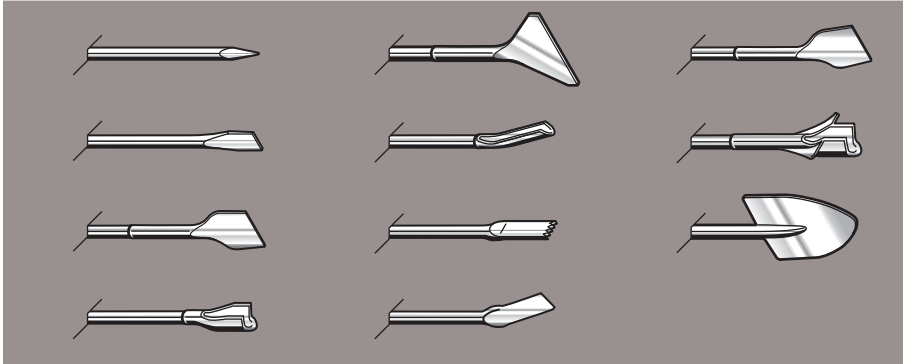
- מנגנון הויסות האלקטרוני מאפשר לך לבחור קצב הלימות לפי רצונך, כדי לעבודה בהתאמה מדויקת לחומר. המערכת האלקטרוניקה שומרת על קצב הלימות קבוע כמעט לגמרי בכל הווטון בין מצב סרק למצב עומס.
- בחרו את קצב הלימות באמצעות גלגל הכוונון (5) בהתאם לדרישות החומר.

שינוי מצב האדמל (Vario Lock)

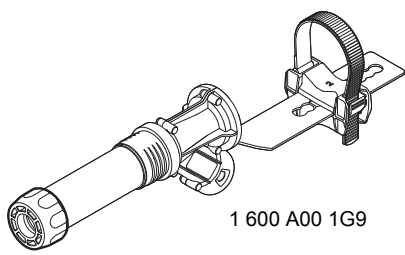
ניתן לנעול את האדמל ב-12 מצבים. הדבר מאפשר להגיע לתנוחת העבודה האופטימלית.

אין להשליך כלי עבודה חשמליים לפסולת
הביתית!





2 608 002 021



1 600 A00 1G9