



# GBH 2-28 Professional HEAVY DUTY

Robert Bosch Power Tools GmbH  
70538 Stuttgart  
GERMANY

[www.bosch-pt.com](http://www.bosch-pt.com)

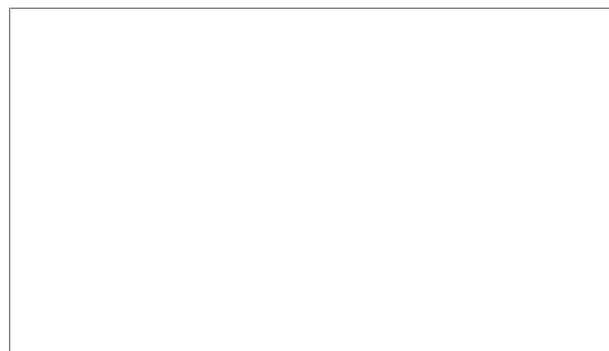
1 609 92A 8DR (2023.03) PS / 29



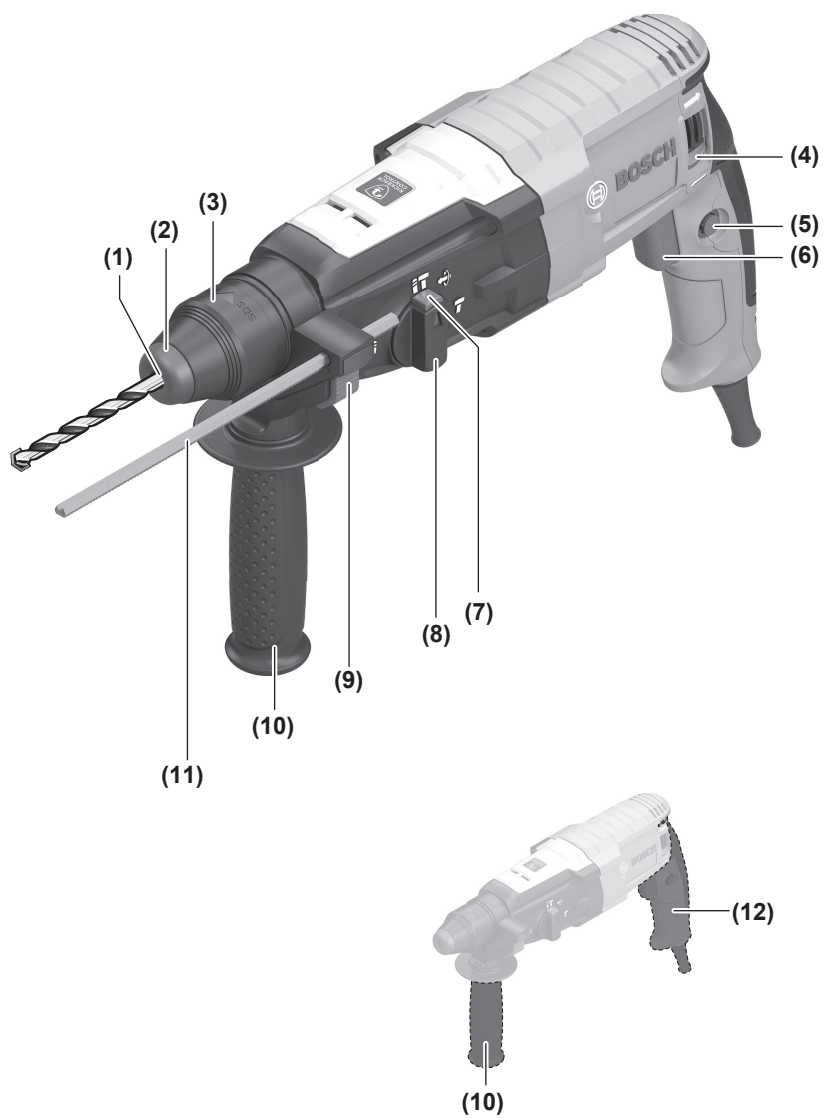
1 609 92A 8DR

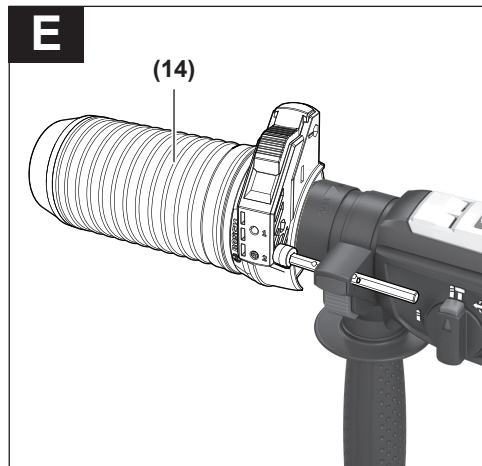
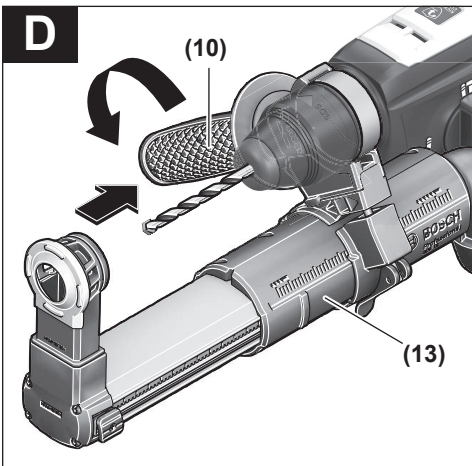
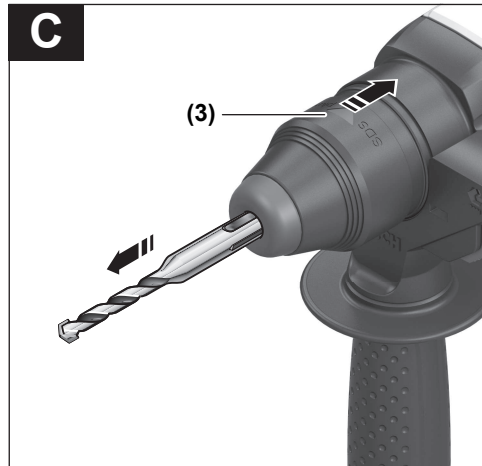
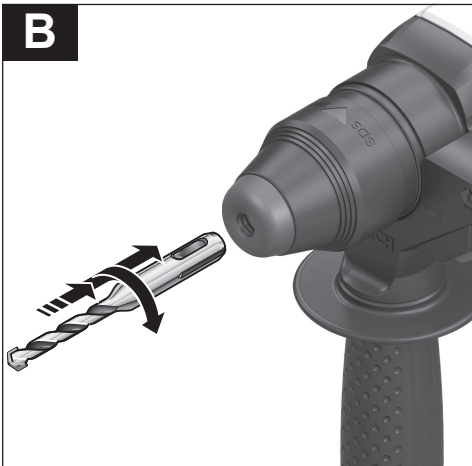
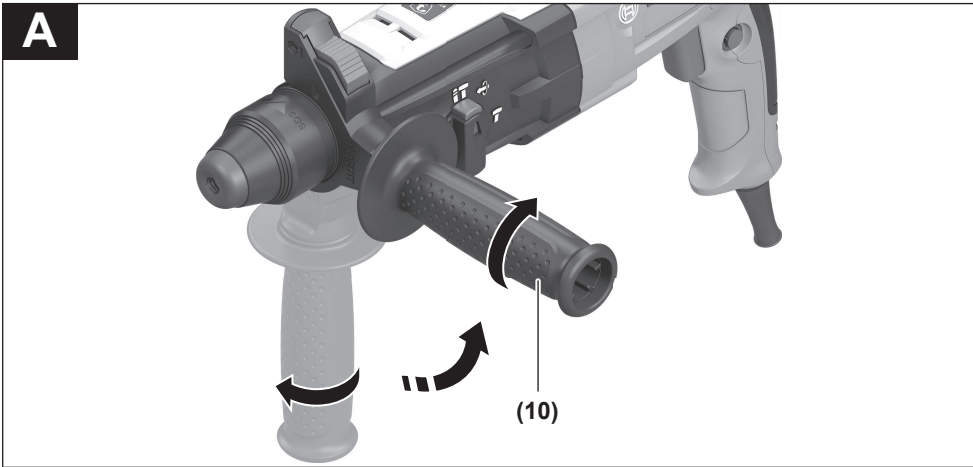


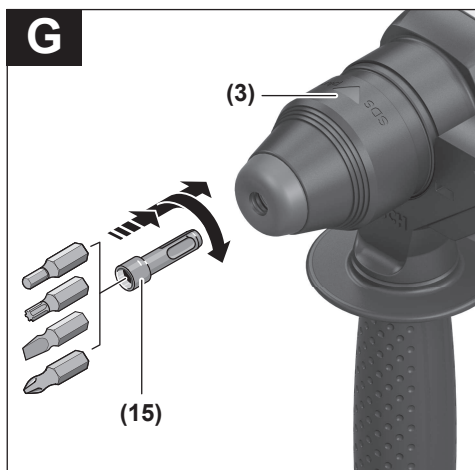
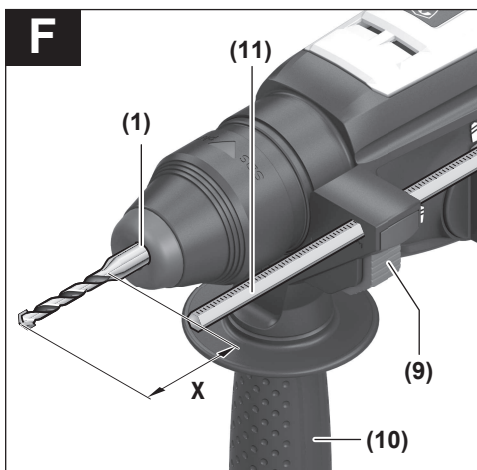
en	Original instructions	Rotary Hammer
ru	Оригинальное руководство по эксплуатации	Перфоратор
ar	دليل التشغيل الأصلي	مطرقة تثقيب
he	הוראות הפעלה מקוריות	פטישון



English .....	Page	6
Русский .....	Страница	10
عربي .....	الصفحة	18
עברית .....	עמוד	23







# English

## Safety instructions

### General Power Tool Safety Warnings

**⚠ WARNING** **Read all safety warnings and all instructions.** Failure to follow the warnings and instructions may result in electric shock, fire and/or serious injury.

#### Save all warnings and instructions for future reference.

The term "power tool" in the warnings refers to your mains-operated (corded) power tool or battery-operated (cordless) power tool.

#### Work area safety

- ▶ **Keep work area clean and well lit.** Cluttered or dark areas invite accidents.
- ▶ **Do not operate power tools in explosive atmospheres, such as in the presence of flammable liquids, gases or dust.** Power tools create sparks which may ignite the dust or fumes.
- ▶ **Keep children and bystanders away while operating a power tool.** Distractions can cause you to lose control.

#### Electrical safety

- ▶ **Power tool plugs must match the outlet. Never modify the plug in any way. Do not use any adapter plugs with earthed (grounded) power tools.** Unmodified plugs and matching outlets will reduce risk of electric shock.
- ▶ **Avoid body contact with earthed or grounded surfaces, such as pipes, radiators, ranges and refrigerators.** There is an increased risk of electric shock if your body is earthed or grounded.
- ▶ **Do not expose power tools to rain or wet conditions.** Water entering a power tool will increase the risk of electric shock.
- ▶ **Do not abuse the cord. Never use the cord for carrying, pulling or unplugging the power tool. Keep cord away from heat, oil, sharp edges or moving parts.** Damaged or entangled cords increase the risk of electric shock.
- ▶ **When operating a power tool outdoors, use an extension cord suitable for outdoor use.** Use of a cord suitable for outdoor use reduces the risk of electric shock..
- ▶ **If operating a power tool in a damp location is unavoidable, use a residual current device (RCD) protected supply.** Use of an RCD reduces the risk of electric shock.

#### Personal safety

- ▶ **Stay alert, watch what you are doing and use common sense when operating a power tool. Do not use a power tool while you are tired or under the influence of drugs, alcohol or medication.** A moment of inattention while operating power tools may result in serious personal injury.

- ▶ **Use personal protective equipment. Always wear eye protection.** Protective equipment such as dust mask, non-skid safety shoes, hard hat, or hearing protection used for appropriate conditions will reduce personal injuries.
- ▶ **Prevent unintentional starting. Ensure the switch is in the off-position before connecting to power source and/or battery pack, picking up or carrying the tool.** Carrying power tools with your finger on the switch or energising power tools that have the switch on invites accidents.
- ▶ **Remove any adjusting key or wrench before turning the power tool on.** A wrench or a key left attached to a rotating part of the power tool may result in personal injury.
- ▶ **Do not overreach. Keep proper footing and balance at all times.** This enables better control of the power tool in unexpected situations.
- ▶ **Dress properly. Do not wear loose clothing or jewellery. Keep your hair, clothing and gloves away from moving parts.** Loose clothes, jewellery or long hair can be caught in moving parts.
- ▶ **If devices are provided for the connection of dust extraction and collection facilities, ensure these are connected and properly used.** Use of dust collection can reduce dust-related hazards.

#### Power tool use and care

- ▶ **Do not force the power tool. Use the correct power tool for your application.** The correct power tool will do the job better and safer at the rate for which it was designed.
- ▶ **Do not use the power tool if the switch does not turn it on and off.** Any power tool that cannot be controlled with the switch is dangerous and must be repaired.
- ▶ **Disconnect the plug from the power source and/or the battery pack from the power tool before making any adjustments, changing accessories, or storing power tools.** Such preventive safety measures reduce the risk of starting the power tool accidentally.
- ▶ **Store idle power tools out of the reach of children and do not allow persons unfamiliar with the power tool or these instructions to operate the power tool.** Power tools are dangerous in the hands of untrained users.
- ▶ **Maintain power tools. Check for misalignment or binding of moving parts, breakage of parts and any other condition that may affect the power tool's operation. If damaged, have the power tool repaired before use.** Many accidents are caused by poorly maintained power tools.
- ▶ **Keep cutting tools sharp and clean.** Properly maintained cutting tools with sharp cutting edges are less likely to bind and are easier to control.
- ▶ **Use the power tool, accessories and tool bits etc. in accordance with these instructions, taking into account the working conditions and the work to be performed.**

**formed.** Use of the power tool for operations different from those intended could result in a hazardous situation.

#### Service

- ▶ **Have your power tool serviced by a qualified repair person using only identical replacement parts.** This will ensure that the safety of the power tool is maintained.

### Hammer and Drill Safety Warnings

#### Safety instructions for all operations

- ▶ **Wear ear protectors.** Exposure to noise can cause hearing loss.
- ▶ **Use the auxiliary handle(s).** Loss of control can cause personal injury.
- ▶ **Brace the tool properly before use.** This tool produces a high output torque and without properly bracing the tool during operation, loss of control may occur resulting in personal injury.
- ▶ **Hold the power tool by insulated gripping surfaces, when performing an operation where the cutting accessory or fasteners may contact hidden wiring or its own cord.** Cutting accessory or fasteners contacting a "live" wire may make exposed metal parts of the power tool "live" and could give the operator an electric shock.

#### Safety instructions when using long drill bits

- ▶ **Never operate at higher speed than the maximum speed rating of the drill bit.** At higher speeds, the bit is likely to bend if allowed to rotate freely without contacting the workpiece, resulting in personal injury.
- ▶ **Always start drilling at low speed and with the bit tip in contact with the workpiece.** At higher speeds, the bit is likely to bend if allowed to rotate freely without contacting the workpiece, resulting in personal injury.
- ▶ **Apply pressure only in direct line with the bit and do not apply excessive pressure.** Bits can bend causing breakage or loss of control, resulting in personal injury.

#### Additional safety information

- ▶ **Use auxiliary handle(s), if supplied with the tool.** Loss of control can cause personal injury.
- ▶ **Hold the power tool firmly with both hands and make sure you have a stable footing.** The power tool can be more securely guided with both hands.
- ▶ **Switch the power tool off immediately if the application tool becomes blocked. Be prepared for high torque reactions which cause kickback.** The application tool becomes blocked when it becomes jammed in the workpiece or when the power tool becomes overloaded.
- ▶ **Secure the workpiece.** A workpiece clamped with clamping devices or in a vice is held more secure than by hand.
- ▶ **Use suitable detectors to determine if utility lines are hidden in the work area or call the local utility company for assistance.** Contact with electric lines can lead to fire and electric shock. Damaging a gas line can lead to

explosion. Penetrating a water line causes property damage or may cause an electric shock.

- ▶ **Always wait until the power tool has come to a complete stop before placing it down.** The application tool can jam and cause you to lose control of the power tool.
- ▶ **Do not touch any application tools or adjacent housing components shortly after operation.** These can become very hot during operation and cause burns.
- ▶ **The application tool may jam during drilling. Make sure you have a stable footing and hold the power tool firmly with both hands.** Otherwise you could lose control of the power tool.
- ▶ **Take care when carrying out demolition work using the chisel.** Falling fragments of the demolition material could injure you or any bystanders.

#### Products sold in GB only:

Your product is fitted with an BS 1363/A approved electric plug with internal fuse (ASTA approved to BS 1362).

If the plug is not suitable for your socket outlets, it should be cut off and an appropriate plug fitted in its place by an authorised customer service agent. The replacement plug should have the same fuse rating as the original plug.

The severed plug must be disposed of to avoid a possible shock hazard and should never be inserted into a mains socket elsewhere.

- ▶ **Hold the power tool firmly with both hands and make sure you have a stable footing.** The power tool can be more securely guided with both hands.

## Product Description and Specifications



#### Read all the safety and general instructions.

Failure to observe the safety and general instructions may result in electric shock, fire and/or serious injury.

Please observe the illustrations at the beginning of this operating manual.

#### Intended Use

The power tool is intended for hammer drilling in concrete, brick and stone, as well as for light chiselling work. It is also suitable for drilling without impact in wood, metal, ceramic and plastic. Power tools with electronic control and right/left rotation are also suitable for screwdriving.

#### Product Features

The numbering of the product features refers to the diagram of the power tool on the graphics page.

- (1) SDS plus tool holder
- (2) Dust protection cap
- (3) Locking sleeve
- (4) Rotational direction switch
- (5) Lock-on button for on/off switch
- (6) On/off switch

- (7) Release button for impact/mode selector switch
- (8) Impact/mode selector switch
- (9) Button for depth stop adjustment
- (10) Auxiliary handle (insulated gripping surface)
- (11) Depth stop
- (12) Handle (insulated gripping surface)
- (13) GDE 16 Plus dust extraction system<sup>a)</sup>
- (14) Dust collection cap<sup>a)</sup>
- (15) Universal holder with SDS plus shank<sup>a)</sup>

a) **Accessories shown or described are not included with the product as standard. You can find the complete selection of accessories in our accessories range.**

## Technical Data

Rotary hammer		GBH 2-28
Article number		<b>3 611 B67 5..</b>
Speed control		●
Clockwise/anticlockwise rotation		●
Rated power input	W	880
Impact rate	min <sup>-1</sup>	0–4000
Impact energy per stroke according to EPTA-Procedure 05:2016	J	3.2
Rated speed	min <sup>-1</sup>	0–900
Tool holder		SDS plus
Spindle collar diameter	mm	50
Max. drilling diameter		
– Concrete	mm	28
– Masonry (with hollow core bit)	mm	68
– Steel	mm	13
– Wood	mm	30
Weight according to EPTA-Procedure 01:2014	kg	2.9
Protection class		□/II

The specifications apply to a rated voltage [U] of 230 V. These specifications may vary at different voltages and in country-specific models.

Values can vary depending upon the product and are subject to application and environmental conditions. For further information [www.bosch-professional.com/wac](http://www.bosch-professional.com/wac).

## Assembly

- ▶ **Pull the plug out of the socket before carrying out any work on the power tool.**

## Auxiliary handle

- ▶ **Do not operate your power tool without the auxiliary handle (10).**

- ▶ **Make sure that the auxiliary handle is always tightened.** Otherwise you could lose control of the power tool when working.

## Swivelling the auxiliary handle (see figure A)

You can swivel the auxiliary handle (10) to any angle for a safe work posture that minimises fatigue.

- Turn the lower gripping end of the auxiliary handle (10) anticlockwise and swivel the auxiliary handle (10) into the required position. Then turn the lower gripping end of the auxiliary handle (10) clockwise to retighten it.

Make sure that the retaining strap of the auxiliary handle slots into the corresponding groove of the housing.

## Selecting drill chucks and tools

For hammer drilling and chiselling, you will need SDS plus tools, which insert into the SDS plus drill chuck.

For drilling without impact in wood, metal, ceramic and plastic as well as for screwdriving, tools without SDS plus are used (e.g. cylindrical shank drill bits). A keyless chuck is required for such drilling tools.

## Changing the Tool

The dust protection cap (2) largely prevents the penetration of drilling dust into the tool holder during operation. When inserting the tool, make sure that the dust protection cap (2) does not become damaged.

- ▶ **Replace a damaged dust protection cap immediately. It is recommended that you have use an after-sales service for this.**

## Changing the tool (SDS plus)

### Inserting SDS-plus application tools (see figure B)

The SDS-plus drill chuck enables you to change the application tool easily and conveniently without needing to use additional tools.

- Clean and lightly grease the insertion end of the application tool.
- Insert the application tool into the tool holder while turning it until it locks automatically.
- Check the latching by pulling the tool.

As a requirement of the system, the SDS-plus application tool can move freely. This causes a certain radial run-out at no-load, which has no effect on the accuracy of the drill hole, as the drill bit centres itself upon drilling.

### Removing SDS-plus application tools (see figure C)

- Push the locking sleeve (3) back and remove the application tool.

## Dust/Chip Extraction

The dust from materials such as lead paint, some types of wood, minerals and metal can be harmful to human health. Touching or breathing in this dust can trigger allergic reactions and/or cause respiratory illnesses in the user or in people in the near vicinity.

Certain dusts, such as oak or beech dust, are classified as carcinogenic, especially in conjunction with wood treatment



additives (chromate, wood preservative). Materials containing asbestos may only be machined by specialists.

- Use a dust extraction system that is suitable for the material wherever possible.
  - Provide good ventilation at the workplace.
  - It is advisable to wear a P2 filter class breathing mask.
- The regulations on the material being machined that apply in the country of use must be observed.

► **Avoid dust accumulation at the workplace.** Dust can easily ignite.

### Dust extraction with GDE 16 Plus (accessory) (see figure D)

For dust extraction, the GDE 16 Plus (accessory) is required. The dust extractor must be suitable for the material being worked on. When extracting dry dust or dust that is especially detrimental to health or carcinogenic, use a special dust extractor.

### Dust Extraction with GDE 18V-26 D (accessory)

For dust extraction, the GDE 18V-26 D dust extraction attachment (accessory) is required.

Observe the information on intended use in the relevant operating manual when using the GDE 18V-26 D.

### Dust collection cap (accessory) (see figure E)

To collect dust easily without using extraction, a dust collection cap (14) is required.

## Operation

► **Products that are only sold in AUS and NZ:** Use a residual current device (RCD) with a nominal residual current of 30 mA or less.

### Start-up

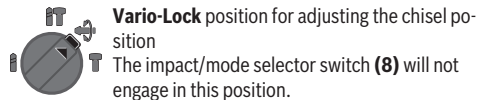
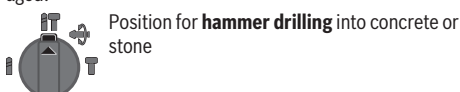
► **Pay attention to the mains voltage! The voltage of the power source must match the voltage specified on the rating plate of the power tool. Power tools marked with 230 V can also be operated with 220 V.**

### Setting the Operating Mode

The operating mode of the power tool is selected using the impact/mode selector switch (8).

- To change the operating mode, press the release button (7) and turn the impact/mode selector switch (8) until it clicks into the required position.

**Note:** Only change the operating mode when the power tool is switched off. Otherwise, the power tool may become damaged.



### Setting the Rotational Direction

The rotational direction switch (4) is used to change the rotational direction of the power tool. However, this is not possible while the on/off switch (6) is being pressed.

► **Only operate the rotational direction switch (4) when the power tool is not in use.**

Always set the rotational direction to clockwise rotation for hammer drilling, drilling and chiselling.

- **Rotate clockwise:** Turn the rotational direction switch (4) on both sides until it stops in the ◀ position.
- **Rotate anticlockwise:** Turn the rotational direction switch (4) on both sides until it stops in the ▶ position.

### Switching On/Off

- To **switch on** the power tool, press the on/off switch (6).
- To **lock** the on/off switch (6), press and hold it while also pushing the lock-on button (5).
- To **switch off** the power tool, release the on/off switch (6). If the on/off switch (6) is locked, press the switch first and then release it.

### Adjusting the Speed/Impact Rate

You can adjust the speed/impact rate of the power tool when it is on by pressing in the on/off switch (6) to varying extents.

Applying light pressure to the on/off switch (6) results in a low rotational speed/impact rate. Applying increasing pressure to the switch increases the speed/impact rate.

### Changing the chiselling position (Vario-Lock)

You can lock the chisel in 36 different positions, so you can select the optimum working position for each task.

- Insert the chisel into the tool holder.
- Turn the impact/mode selector switch (8) to the "Vario-Lock" position.
- Turn the application tool to the required chisel position.
- Turn the impact/mode selector switch (8) to the "chiselling" position. With this, the tool holder is locked.
- Set the rotational direction for chiselling to clockwise.

## Practical Advice

### Setting the drilling depth (see figure F)

You can use the depth stop (11) to set the required drilling depth X.

- Press the button for depth stop adjustment **(9)** and insert the depth stop into the auxiliary handle **(10)**. The fluting on the depth stop **(11)** must face downwards.
- Insert the SDS-plus application tool into the SDS-plus tool holder **(1)** to the stop. Otherwise, the movability of the SDS-plus drilling tool can lead to incorrect adjustment of the drilling depth.
- Pull the depth stop far enough out that the distance between the drill bit tip and the edge of the depth stop corresponds to the required drilling depth **X**.

#### Rapid shut-off (KickBack Control)



The rapid shut-off function (KickBack Control) gives the user greater control over the power tool and offers them better protection than power tools that do not have KickBack Control. The power tool will switch off if it suddenly and unforeseeably rotates around the drilling axis.

- To **switch the tool back on (6)**, release the on/off switch and then press it twice.

#### Inserting screwdriver bits (see figure G)

- ▶ **Only apply the power tool to the screw/nut when the tool is switched off.** Rotating tool inserts can slip off.

A universal holder **(15)** with SDS-plus shank (accessory) is required to work with screwdriver bits.

- Clean and lightly grease the insertion end of the shank.
- Insert the universal holder into the tool holder while turning it until it locks automatically.
- Check that it is locked by pulling the universal holder.
- Insert a screwdriver bit in the universal holder. Only use screwdriver bits that fit the screw head.
- To remove the universal holder, slide the locking sleeve **(3)** backwards and remove the universal holder **(15)** from the tool holder.

## Maintenance and Service

### Maintenance and Cleaning

- ▶ **Pull the plug out of the socket before carrying out any work on the power tool.**
- ▶ **To ensure safe and efficient operation, always keep the power tool and the ventilation slots clean.**

In order to avoid safety hazards, if the power supply cord needs to be replaced, this must be done by **Bosch** or by an after-sales service centre that is authorised to repair **Bosch** power tools.

- ▶ **Replace a damaged dust protection cap immediately. It is recommended that you have use an after-sales service for this.**
- Clean the tool holder **(1)** after each use.

### After-Sales Service and Application Service

Our after-sales service responds to your questions concerning maintenance and repair of your product as well as spare parts. You can find explosion drawings and information on spare parts at: [www.bosch-pt.com](http://www.bosch-pt.com)

The Bosch product use advice team will be happy to help you with any questions about our products and their accessories.

In all correspondence and spare parts orders, please always include the 10-digit article number given on the nameplate of the product.

#### Israel

Ledico Ltd.  
31 Lazrov Street  
P.O. Box 6018 Rishon Le Ziyon  
[service@ledico.com](mailto:service@ledico.com)

#### You can find further service addresses at:

[www.bosch-pt.com/serviceaddresses](http://www.bosch-pt.com/serviceaddresses)

### Disposal

The power tool, accessories and packaging should be recycled in an environmentally friendly manner.



Do not dispose of power tools along with household waste.

## Русский

### Только для стран Евразийского экономического союза (Таможенного союза)

В состав эксплуатационных документов, предусмотренных изготовителем для продукции, могут входить настоящее руководство по эксплуатации, а также приложения. Информация о подтверждении соответствия содержится в приложении.

Информация о стране происхождения указана на корпусе изделия и в приложении.

Дата изготовления указана на последней странице обложки Руководства.

Контактная информация относительно импортера содержится на упаковке.

#### Срок службы изделия

Срок службы изделия составляет 7 лет. Не рекомендуется к эксплуатации по истечении 5 лет хранения с даты изготовления без предварительной проверки (дату изготовления см. на этикетке).

Указанный срок службы действителен при соблюдении потребителем требований настоящего руководства.

**Перечень критических отказов**

- не использовать при сильном искрении
- не использовать при появлении сильной вибрации
- не использовать с перебитым или оголённым электрическим кабелем
- не использовать при появлении дыма непосредственно из корпуса изделия

**Возможные ошибочные действия персонала**

- не использовать с поврежденной рукояткой или поврежденным защитным кожухом
- не использовать на открытом пространстве во время дождя
- не включать при попадании воды в корпус

**Критерии предельных состояний**

- перетёрт или повреждён электрический кабель
- поврежден корпус изделия

**Тип и периодичность технического обслуживания**

- Рекомендуется очистить инструмент от пыли после каждого использования.

**Хранение**

- необходимо хранить в сухом месте
- необходимо хранить вдали от источников повышенных температур и воздействия солнечных лучей
- при хранении необходимо избегать резкого перепада температур
- хранение без упаковки не допускается
- подробные требования к условиям хранения смотрите в ГОСТ 15150-69 (Условие 1)
- Хранить в упаковке предприятия – изготовителя в складских помещениях при температуре окружающей среды от +5 до +40 °С. Относительная влажность воздуха не должна превышать 80 %.

**Транспортировка**

- категорически не допускается падение и любые механические воздействия на упаковку при транспортировке
- при разгрузке/погрузке не допускается использование любого вида техники, работающей по принципу зажима упаковки
- подробные требования к условиям транспортировки смотрите в ГОСТ 15150-69 (Условие 5)
- Транспортировать при температуре окружающей среды от –50 °С до +50 °С. Относительная влажность воздуха не должна превышать 100 %.

**Указания по технике безопасности****Общие указания по технике безопасности для электроинструментов**

**⚠ ПРЕДУПРЕЖДЕНИЕ** Прочтите все указания и инструкции по технике безопасности. Несоблюдение указаний и инструкций по технике безопасности может стать причи-

ной поражения электрическим током, пожара и тяжелых травм.

**Сохраняйте эти инструкции и указания для будущего использования.**

Использованное в настоящих инструкциях и указаниях понятие «электроинструмент» распространяется на электроинструмент с питанием от сети (с сетевым шнуром) и на аккумуляторный электроинструмент (без сетевого шнура).

**Безопасность рабочего места**

- ▶ **Содержите рабочее место в чистоте и хорошо освещенным.** Беспорядок или неосвещенные участки рабочего места могут привести к несчастным случаям.
- ▶ **Не работайте с электроинструментами во взрывоопасной атмосфере, напр., содержащей горючие жидкости, воспламеняющиеся газы или пыль.** Электроинструменты искрят, что может привести к воспламенению пыли или паров.
- ▶ **Во время работы с электроинструментом не допускайте близко к Вашему рабочему месту детей и посторонних лиц.** Отвлечись, Вы можете потерять контроль над электроинструментом.
- ▶ Оборудование предназначено для работы в бытовых условиях, коммерческих зонах и общественных местах, производственных зонах с малым электропотреблением, без воздействия вредных и опасных производственных факторов. Оборудование предназначено для эксплуатации без постоянного присутствия обслуживающего персонала.

**Электробезопасность**

- ▶ **Штепсельная вилка электроинструмента должна подходить к штепсельной розетке. Ни в коем случае не вносите изменения в штепсельную вилку. Не применяйте переходные штекеры для электроинструментов с защитным заземлением.** Неизменные штепсельные вилки и подходящие штепсельные розетки снижают риск поражения электротоком.
- ▶ **Предотвращайте телесный контакт с заземленными поверхностями, как то: с трубами, элементами отопления, кухонными плитами и холодильниками.** При заземлении Вашего тела повышается риск поражения электротоком.
- ▶ **Защищайте электроинструмент от дождя и сырости.** Проникновение воды в электроинструмент повышает риск поражения электротоком.
- ▶ **Не разрешается использовать шнур не по назначению. Никогда не используйте шнур для транспортировки или подвески электроинструмента, или для извлечения вилки из штепсельной розетки. Защищайте шнур от воздействия высоких температур, масла, острых кромок или подвижных частей электроинструмента.** Поврежденный или спутанный шнур повышает риск поражения электротоком.
- ▶ **При работе с электроинструментом под открытым небом применяйте пригодные для этого кабели-**

**удлинители.** Применение пригодного для работы под открытым небом кабеля-удлинителя снижает риск поражения электротоком.

- ▶ **Если невозможно избежать применения электроинструмента в сыром помещении, подключайте электроинструмент через устройство защитного отключения.** Применение устройства защитного отключения снижает риск электрического поражения.

#### Личная безопасность

- ▶ **Будьте внимательны, следите за тем, что делаете, и продуманно начинайте работу с электроинструментом. Не пользуйтесь электроинструментом в unstable состоянии или под воздействием наркотиков, алкоголя или лекарственных средств.** Один момент невнимательности при работе с электроинструментом может привести к серьезным травмам.
- ▶ **Применяйте средства индивидуальной защиты. Всегда носите защитные очки.** Использование средств индивидуальной защиты, как то: защитной маски, обуви на нескользящей подошве, защитного шлема или средств защиты органов слуха, в зависимости от вида работы с электроинструментом снижает риск получения травм.
- ▶ **Предотвращайте непреднамеренное включение электроинструмента. Перед тем как подключить электроинструмент к сети и/или к аккумулятору, поднять или переносить электроинструмент, убедитесь, что он выключен.** Удержание пальца на выключателе при транспортировке электроинструмента и подключение к сети питания включенного электроинструмента чревато несчастными случаями.
- ▶ **Убирайте установочный инструмент или гаечные ключи до включения электроинструмента.** Инструмент или ключ, находящийся во вращающейся части электроинструмента, может привести к травмам.
- ▶ **Не принимайте неестественное положение корпуса тела. Всегда занимайте устойчивое положение и сохраняйте равновесие.** Благодаря этому Вы можете лучше контролировать электроинструмент в неожиданных ситуациях.
- ▶ **Носите подходящую рабочую одежду. Не носите широкую одежду и украшения. Не подставляйте волосы, одежду и рукавицы под движущиеся части.** Широкая одежда, украшения или длинные волосы могут быть затянuty вращающимися частями.
- ▶ **При наличии возможности установки пылеотсасывающих и пылесборных устройств проверяйте их присоединение и правильное использование.** Применение пылеотсоса может снизить опасность, создаваемую пылью.
- ▶ **ВНИМАНИЕ!** В случае возникновения перебоя в работе электроинструмента вследствие полного или частичного прекращения энергоснабжения или повреждения цепи управления энергоснабжением установите выключатель в положение Выкл., убедившись, что он не заблокирован (при его наличии). Отключите сетевую вилку от розетки или отсоедините съёмный

аккумулятор. Этим предотвращается неконтролируемый повторный запуск.

- ▶ **Квалифицированный персонал** в соответствии с настоящим руководством подразумевает лиц, которые знакомы с регулировкой, монтажом, вводом эксплуатацию обслуживанием электроинструмента.
- ▶ **К работе с электроинструментом допускаются лица** не моложе 18 лет, изучившие техническое описание, инструкцию по эксплуатации и правила безопасности.
- ▶ **Изделие не предназначено для использования лицами** (включая детей) с пониженными физическими, чувственными или умственными способностями или при отсутствии у них жизненного опыта или знаний, если они не находятся под контролем или не проинструктированы об использовании электроинструмента лицом, ответственным за их безопасность.

#### Применение электроинструмента и обращение с ним

- ▶ **Не перегружайте электроинструмент. Используйте для работы соответствующий специальный электроинструмент.** С подходящим электроинструментом Вы работаете лучше и надежнее в указанном диапазоне мощности.
- ▶ **Не работайте с электроинструментом при неисправном выключателе.** Электроинструмент, который не поддается включению или выключению, опасен и должен быть отремонтирован.
- ▶ **До начала наладки электроинструмента, перед заменой принадлежностей и хранением отключите штепсельную вилку от розетки сети и/или извлеките аккумулятор.** Эта мера предосторожности предотвращает непреднамеренное включение электроинструмента.
- ▶ **Храните электроинструменты в недоступном для детей месте. Не разрешайте пользоваться электроинструментом лицам, которые не знакомы с ним или не читали настоящих инструкций.** Электроинструменты опасны в руках неопытных лиц.
- ▶ **Тщательно ухаживайте за электроинструментом. Проверяйте безупречную функцию и ход движущихся частей электроинструмента, отсутствие поломок или повреждений, отрицательно влияющих на функцию электроинструмента. Поврежденные части должны быть отремонтированы до использования электроинструмента.** Плохое обслуживание электроинструментов является причиной большого числа несчастных случаев.
- ▶ **Держите режущий инструмент в заточенном и чистом состоянии.** Заботливо ухоженные режущие инструменты с острыми режущими кромками режут легче и их легче вести.
- ▶ **Применяйте электроинструмент, принадлежности, рабочие инструменты и т. п. в соответствии с настоящими инструкциями. Учитывайте при этом рабочие условия и выполняемую работу.** Использование электроинструментов для непредусмотренных работ может привести к опасным ситуациям.

## Сервис

- ▶ **Ремонт электроинструмента должен выполняться только квалифицированным персоналом и только с применением оригинальных запасных частей.** Этим обеспечивается безопасность электроинструмента.

## Указания по технике безопасности для молотков и дрелей

### Указания по технике безопасности для всех операций

- ▶ **Применяйте средства защиты органов слуха.** Шум может привести к потере слуха.
- ▶ **Используйте вспомогательную(-ые) рукоятку(-и).** Потеря контроля чревата травмами.
- ▶ **Хорошо зажмите рабочий инструмент перед применением.** Этот рабочий инструмент создает высокий крутящий момент на выходе, и без должного зажатия рабочего инструмента во время эксплуатации возможен выход инструмента из-под контроля с нанесением телесных повреждений.
- ▶ **При выполнении работ, при которых рабочий инструмент или шурупы могут задеть скрытую электропроводку или свой собственный шнур питания, держите инструмент за изолированные поверхности.** Контакт рабочего инструмента или шурупов с находящейся под напряжением проводкой может зарядить металлические части электроинструмента и привести к поражению электрическим током.

### Указания по технике безопасности для работе с длинными бит-насадками

- ▶ **Никогда не работайте со скоростью, превышающей максимальную номинальную скорость бит-насадки.** При высокой скорости бит-насадки могут изгибаться, если они вращаются свободно без контакта с заготовкой, что может привести к телесным повреждениям.
- ▶ **Всегда начинайте сверлить на низкой скорости, кончик бит-насадки должен касаться заготовки.** При высокой скорости бит-насадки могут изгибаться, если они вращаются свободно без контакта с заготовкой, что может привести к телесным повреждениям.
- ▶ **Нажимайте только по прямой к бит-насадке и не нажимайте излишне.** Бит-насадки могут изгибаться и в результате ломаться или приводить к потере контроля и вследствие этого к телесным повреждениям.

### Дополнительные указания по технике безопасности

- ▶ **Используйте дополнительную(-ые) рукоятку(-и), если они поставляются с электроинструментом.** Потеря контроля чревата травмами.
- ▶ **Крепко держите электроинструмент во время работы двумя руками и следите за устойчивым положением тела.** Двумя руками Вы можете более надежно вести электроинструмент.
- ▶ **Немедленно выключите электроинструмент, если рабочий инструмент заклинило. Будьте готовы к высоким реактивным моментам, которые приво-**

**дят к отдаче.** Рабочий инструмент заклинивает при перегрузке электроинструмента или застревании инструмента в обрабатываемой заготовке.

- ▶ **Закрепляйте заготовку.** Заготовка, установленная в зажимное приспособление или в тиски, удерживается более надежно, чем в Вашей руке.
- ▶ **Используйте соответствующие металлоискатели для нахождения спрятанных в стене труб или проводки или обращайтесь за справкой в местное коммунальное предприятие.** Контакт с электропроводкой может привести к пожару и поражению электротокком. Повреждение газопровода может привести к взрыву. Повреждение водопровода ведет к нанесению материального ущерба или может вызвать поражение электротокком.
- ▶ **Выждите полной остановки электроинструмента и только после этого выпускайте его из рук.** Рабочий инструмент может заесть, и это может привести к потере контроля над электроинструментом.
- ▶ **Не прикасайтесь к вставным инструментам и смежным частям корпуса сразу после работы.** Они могут сильно нагреться во время работы и стать причиной ожога.
- ▶ **Во время сверления вставной инструмент может заклинить. Крепко держите электроинструмент во время работы и следите за устойчивым положением тела.** Иначе электроинструмент может выйти из под контроля.
- ▶ **Будьте осторожны при демонтажных работах зубилом.** Обломки материала могут травмировать окружающих или вас самих.
- ▶ **Крепко держите электроинструмент во время работы двумя руками и следите за устойчивым положением тела.** Двумя руками Вы можете более надежно вести электроинструмент.

## Описание продукта и услуг



**Прочтите все указания и инструкции по технике безопасности.** Несоблюдение указаний по технике безопасности и инструкций может привести к поражению электрическим током, пожару и/или тяжелым травмам.

Пожалуйста, соблюдайте иллюстрации в начале руководства по эксплуатации.

### Применение по назначению

Электроинструмент предназначен для перфорации в бетоне, кирпиче и камне, а также для легких долбежных работ. Он также пригоден для безударного сверления в древесине, металле, керамике и пластмассе. Электроинструменты с электронным регулированием и реверсом направления вращения пригодны также и для заворачивания и выворачивания винтов.

## Изображенные составные части

Нумерация представленных компонентов относится к изображению электроинструмента на странице с иллюстрациями.

- (1) Патрон для инструмента SDS plus
- (2) Пылезащитный колпачок
- (3) Фиксирующая втулка
- (4) Переключатель направления вращения
- (5) Кнопка фиксирования выключателя
- (6) Выключатель
- (7) Кнопка разблокировки выключателя удара/останова вращения
- (8) Выключатель удара/останова вращения
- (9) Кнопка регулировки ограничителя глубины
- (10) Дополнительная рукоятка (с изолированной поверхностью для хвата)
- (11) Ограничитель глубины
- (12) Рукоятка (с изолированной поверхностью для хвата)
- (13) Система пылеудаления GDE 16 Plus<sup>a)</sup>
- (14) Колпачок для сбора пыли<sup>a)</sup>
- (15) Универсальный держатель с посадочным хвостовиком SDS plus<sup>a)</sup>

a) **Изображенные или описанные принадлежности не входят в стандартный объем поставки. Полный ассортимент принадлежностей см. в нашей программе принадлежностей.**

## Технические данные

Перфоратор		GBH 2-28
Товарный номер		<b>3 611 B67 5..</b>
Регулирование числа оборотов		●
Правое/левое направление вращения		●
Ном. потребляемая мощность	Вт	880
Частота ударов	уд./мин	0–4000
Энергия единичного удара в соответствии с EPTA-Procedure 05:2016	Дж	3,2
Номинальное число оборотов	об/мин	0–900
Патрон		SDS plus
Диаметр шейки шпинделя	мм	50
Макс. диаметр сверла		
– Бетон	мм	28
– Кирпичная кладка (кольцевая сверлильная коронка)	мм	68

Перфоратор		GBH 2-28
– Сталь	мм	13
– Древесина	мм	30
Масса согласно EPTA-Procedure 01:2014	кг	2,9
Класс защиты		□ / II

Параметры указаны для номинального напряжения [U] 230 В. При других значениях напряжения, а также в специфическом для страны исполнении инструмента возможны иные параметры.

Значения могут варьироваться в зависимости от инструмента, способа применения и условий окружающей среды. Более подробная информация представлена на сайте [www.bosch-professional.com/wac](http://www.bosch-professional.com/wac).

## Сборка

- **Перед любыми манипуляциями с электроинструментом вытаскивайте штепсель из розетки.**

### Дополнительная рукоятка

- **Работайте с электроинструментом только с дополнительной рукояткой (10).**
- **Следите за тем, чтобы дополнительная рукоятка всегда была плотно затянута.** Иначе инструмент может выйти из под контроля во время работы.

### Поворот дополнительной рукоятки (см. рис. А)

Дополнительную рукоятку (10) можно поворачивать в любое положение для обеспечения безопасного и удобного рабочего положения.

- Поверните нижнюю часть дополнительной рукоятки (10) против часовой стрелки и поверните дополнительную рукоятку (10) в требуемое положение. После этого вращением по часовой стрелке снова зажмите нижнюю часть дополнительной рукоятки (10). Следите за тем, чтобы стягивающая лента дополнительной рукоятки находилась в предусмотренном пазу корпуса.

### Выбор сверлильного патрона и инструмента

Для ударного сверления и долбления требуются инструменты SDS-plus, которые устанавливаются в сверлильном патроне SDS-plus.

Для сверления без удара в древесине, металле, керамике и пластмассе, а также для заворачивания применяют инструменты без SDS-plus (например, сверла с цилиндрическим хвостовиком). Для этих рабочих инструментов вам потребуется быстрозажимной сверлильный патрон.

### Замена рабочего инструмента

Колпачок для защиты от пыли (2) предотвращает проникновение образующейся при сверлении пыли в патрон. При установке рабочего инструмента следите за тем, чтобы не повредить колпачок для защиты от пыли (2).

- **Поврежденный колпачок для защиты от пыли следует немедленно заменить. Это рекомендуется выполнять силами сервисной мастерской.**

### Замена рабочего инструмента (SDS-plus)

#### Установка рабочего инструмента SDS-plus (см. рис. В)

С помощью патрона SDS-plus Вы можете просто и удобно сменить рабочий инструмент без применения дополнительного инструмента.

- Очистите и слегка смажьте вставляемый конец рабочего инструмента.
- Вставьте рабочий инструмент с вращением в патрон до автоматического фиксирования.
- Проверьте фиксацию попыткой вытянуть рабочий инструмент.

Рабочий инструмент SDS-plus имеет свободу движения, которая обусловлена системой. В результате этого на холстом ходу возникает радиальное биение. Это не имеет влияния на точность сверления, так как сверло центрируется автоматически.

#### Снятие рабочего инструмента SDS-plus (см. рис. С)

- Оттяните фиксирующую гильзу (3) назад и снимите рабочий инструмент.

### Удаление пыли и стружки

Пыль некоторых материалов, как напр., красок с содержанием свинца, некоторых сортов древесины, минералов и металлов, может быть вредной для здоровья. Прикосновение к пыли и попадание пыли в дыхательные пути может вызвать аллергические реакции и/или заболевания дыхательных путей оператора или находящегося вблизи персонала.

Определенные виды пыли, напр., дуба и бука, считаются канцерогенными, особенно совместно с присадками для обработки древесины (хромат, средство для защиты древесины). Материал с содержанием асбеста разрешается обрабатывать только специалистам.

- По возможности используйте пригодную для материала систему пылеудаления.
- Хорошо проветривайте рабочее место.
- Рекомендуется пользоваться респираторной маской с фильтром класса P2.

Соблюдайте действующие в Вашей стране предписания для обрабатываемых материалов.

- **Избегайте скопления пыли на рабочем месте.** Пыль может легко воспламениться.

### Система пылеудаления с GDE 16 Plus (принадлежность) (см. рис. D)

Для работы системы пылеудаления требуется GDE 16 Plus (принадлежность).

Пылесос должен быть пригоден для обрабатываемого материала.

Применяйте специальный пылесос для удаления особо вредных для здоровья видов канцерогенной пыли или сухой пыли.

### Система пылеудаления с GDE 18V-26 D (принадлежность)

Для работы системы пылеудаления требуется устройство пылеудаления GDE 18V-26 D (принадлежность).

При использовании GDE 18V-26 D соблюдайте указания по использованию по назначению, приведенные в соответствующих руководствах по эксплуатации.

### Колпачок для сбора пыли (принадлежность) (см. рис. E)

Для легкого сбора пыли без всасывания требуется колпачок для сбора пыли (14).

## Работа с инструментом

### Включение электроинструмента


- **Примите во внимание напряжение в сети! Напряжение источника электропитания должно соответствовать напряжению, указанному на фирменной табличке электроинструмента. Электроинструменты на 230 В могут работать также и при напряжении 220 В.**


### Установка режима работы

При помощи выключателя удара/останова вращения (8) выбирается режим работы электроинструмента.

- Для изменения режима работы нажмите кнопку разблокировки (7) и поверните выключатель удара/останова вращения (8) в требуемое положение так, чтобы он отчетливо вошел в зацепление.


**Указание:** Меняйте режим работы только при выключенном электроинструменте! В противном случае электроинструмент может быть поврежден.

 Положение для **перфорации** в бетоне или камне

 Положение для **сверления** в древесине, металле, керамике и пластмассе, а также для **закручивания/выкручивания винтов**

 Положение **Vario-Lock** для изменения положения зубила

В этом положении выключатель удара/останова вращения (8) не входит в зацепление.

 Положение для **долбления**

### Установка направления вращения

Выключателем направления вращения (4) можно изменять направление вращения электроинструмента. При вжатом выключателе (6) это, однако, невозможно.

- **Приводите в действие переключатель направления вращения (4) только при остановленном электроинструменте.**

Для ударного сверления и для долбления всегда устанавливайте правое направление вращения.

- **Правое вращение:** поверните переключатель направления вращения (4) с обеих сторон до упора в положение ←.
- **Левое вращение:** поверните переключатель направления вращения (4) с обеих сторон до упора в положение →.

#### Включение/выключение

- Для **включения** электроинструмента нажмите выключатель (6).
- Для **фиксирования** выключателя (6) придержите его нажатым и дополнительно нажмите кнопку фиксирования (5).
- Для **выключения** электроинструмента отпустите выключатель (6). При фиксированном выключателе (6) сначала нажмите на него, а потом отпустите.

#### Установка числа оборотов и ударов

Число оборотов/ударов включенного электроинструмента можно плавно регулировать, изменяя для этого усилие нажатия на выключатель (6).

При слабом нажатии на выключатель (6) электроинструмент работает с низким числом оборотов/ударов. С увеличением силы нажатия число оборотов и ударов увеличивается.

#### Изменение положения зубила (Vario-Lock)

Зубило можно зафиксировать в 36 положениях. Благодаря этому Вы можете занять соответственно оптимальное положение.

- Вставьте зубило в патрон.
- Поверните выключатель удара/останова вращения (8) в положение «Vario-Lock».
- Поверните патрон в желаемое положение зубила.
- Поверните выключатель удара/останова вращения (8) в положение «Долбление». Таким образом патрон зафиксирован.
- Для долбления устанавливайте правое направление вращения.

#### Указания по применению

##### Настройка глубины сверления (см. рис. F)

С помощью ограничителя глубины (11) можно установить необходимую глубину сверления X.

- Нажмите кнопку настройки ограничителя глубины (9) и вставьте ограничитель глубины в дополнительную рукоятку (10).
- Рифление на ограничителе глубины (11) должно смотреть вниз.
- Вставьте рабочий инструмент SDS-plus до упора в патрон SDS-plus (1). В противном случае перемещение рабочего инструмента SDS-plus может привести к неправильной настройке глубины сверления.
- Выдвиньте ограничитель глубины наружу настолько, чтобы расстояние между кончиком сверла и кончиком

ограничителя глубины соответствовало требуемой глубине сверления X.

#### Функция быстрого отключения (Kickback Control)



Функция быстрого отключения (KickBack Control) обеспечивает лучший контроль над электроинструментом и улучшает, таким образом, защиту пользователя по сравнению с электроинструментами без KickBack Control. При неожиданном и непредвиденном вращении электроинструмента вокруг оси сверла электроинструмент отключается.

- Для **повторного включения** отпустите выключатель (6) и после этого дважды нажмите на него.

#### Установка бит (см. рис. G)

- ▶ **Устанавливайте электроинструмент на винт или гайку только в выключенном состоянии.** Вращающиеся рабочие инструменты могут соскользнуть.

Для применения бит требуется универсальный держатель (15) с посадочным хвостовиком SDS-plus (принадлежность).

- Очищайте и слегка смазывайте вставляемый конец посадочного хвостовика.
- Вставьте универсальный держатель с вращением в патрон до автоматического фиксирования.
- Проверьте фиксирование попыткой вытянуть держатель.
- Вставьте бит в универсальный держатель. Используйте только биты-насадки, подходящие к головке винта.
- Для извлечения универсального держателя оттяните фиксирующую гильзу (3) назад и извлеките универсальный держатель (15) из патрона.

## Техобслуживание и сервис

### Техобслуживание и очистка

- ▶ **Перед любыми манипуляциями с электроинструментом вытаскивайте штепсель из розетки.**
- ▶ **Для обеспечения качественной и безопасной работы содержите электроинструмент и вентиляционные прорези в чистоте.**

Если требуется поменять шнур, во избежание опасности обращайтесь на фирму **Bosch** или в авторизованную сервисную мастерскую для электроинструментов **Bosch**.

- ▶ **Поврежденный колпачок для защиты от пыли следует немедленно заменить. Это рекомендуется выполнять силами сервисной мастерской.**
- Каждый раз после работы очищайте патрон (1).

Реализацию продукции разрешается производить в магазинах, отделах (секциях), павильонах и киосках, обеспечивающих сохранность продукции, исключая попадание на нее атмосферных осадков и воздействие источ-



ников повышенных температур (резкого перепада температур), в том числе солнечных лучей.

Продавец (изготовитель) обязан предоставить покупателю необходимую и достоверную информацию о продукции, обеспечивающую возможность её правильного выбора. Информация о продукции в обязательном порядке должна содержать сведения, перечень которых установлен законодательством Российской Федерации.

Если приобретаемая потребителем продукция была в употреблении или в ней устранялся недостаток (недостатки), потребителю должна быть предоставлена информация об этом.

В процессе реализации продукции должны выполняться следующие требования безопасности:

- Продавец обязан довести до сведения покупателя фирменное наименование своей организации, место её нахождения (адрес) и режим её работы;
- Образцы продукции в торговых помещениях должны обеспечивать возможность ознакомления покупателя с надписями на изделиях и исключать любые самостоятельные действия покупателей с изделиями, приводящие к запуску изделий, кроме визуального осмотра;
- Продавец обязан довести до сведения покупателя информацию о подтверждении соответствия этих изделий установленным требованиям, о наличии сертификатов или деклараций о соответствии;
- Запрещается реализация продукции при отсутствии (утрате) её идентификационных признаков, с истёкшим сроком годности, следами порчи и без инструкции (руководства) по эксплуатации, обязательного сертификата соответствия либо знака соответствия.

### Сервис и консультирование по вопросам применения

Сервисный отдел ответит на все Ваши вопросы по ремонту и обслуживанию Вашего продукта, а также по запчастям. Изображения с пространственным разделением деталей и информацию по запчастям можно посмотреть также по адресу:

**www.bosch-pt.com**

Коллектив сотрудников Bosch, предоставляющий консультации на предмет использования продукции, с удовольствием ответит на все Ваши вопросы относительно нашей продукции и ее принадлежностей.

Пожалуйста, во всех запросах и заказах запчастей обязательно указывайте 10-значный товарный номер по заводской табличке изделия.

#### Для региона: Россия, Беларусь, Казахстан, Украина

Гарантийное обслуживание и ремонт электроинструмента, с соблюдением требований и норм изготовителя производятся на территории всех стран только в фирменных или авторизованных сервисных центрах «Роберт Бош».

**ПРЕДУПРЕЖДЕНИЕ!** Использование контрафактной продукции опасно в эксплуатации, может привести к ущербу для Вашего здоровья. Изготовление и распространение контрафактной продукции преследуется по Закону в административном и уголовном порядке.

### Дополнительные адреса сервисных центров вы найдете по ссылке:

[www.bosch-pt.com/serviceaddresses](http://www.bosch-pt.com/serviceaddresses)

В случае выхода электроинструмента из строя в течение гарантийного срока эксплуатации по вине изготовителя, владелец имеет право на бесплатный гарантийный ремонт, при соблюдении следующих условий:

- отсутствие механических повреждений;
- отсутствие признаков нарушения требований руководства по эксплуатации
- наличие в руководстве по эксплуатации отметки продавца о продаже и подписи покупателя;
- соответствие серийного номера электроинструмента и серийному номеру в гарантийном талоне;
- отсутствие следов некавалифицированного ремонта.

Гарантия не распространяется на:

- любые поломки, связанные с форс-мажорными обстоятельствами;
- нормальный износ: электроинструмента, так же, как и все электрические.

Гарантией не покрывается ремонт, потребность в котором возникает вследствие нормального износа, сокращающего срок службы таких частей инструмента, как присоединительные контакты, провода, щётки и т.п.:

- естественный износ (полная выработка ресурса);
- оборудование и его части, выход из строя которых стал следствием неправильной установки, несанкционированной модификации, неправильного применения, нарушения правил обслуживания или хранения;
- неисправности, возникшие в результате перегрузки электроинструмента. (К безусловным признакам перегрузки инструмента относятся: появление цвета побежалости, деформация или оплавление деталей и узлов электроинструмента, потемнение или обугливание изоляции проводов электродвигателя под действием высокой температуры.)

### Утилизация

Отслужившие свой срок электроинструменты, принадлежности и упаковку следует сдавать на экологически чистую рециперацию отходов.



Утилизируйте электроинструмент отдельно от бытового мусора!

استعمال كابل تمديد مخصص للاستعمال في الأماكن المكشوفة من خطر الصدمات الكهربائية. **إن لم يكن بالإمكان تجنب تشغيل العدة الكهربائية في الأجواء الرطبة، فاستخدم مفتاح للوقاية من التيار المتخلف.** إن استخدام مفتاح للوقاية من التيار المتخلف يقلل خطر الصدمات الكهربائية.

#### أمان الأشخاص

**كن يقظا وانتبه إلى ما تفعله واستخدم العدة الكهربائية بتعقل.** لا تستخدم عدة كهربائية عندما تكون متعبا أو عندما تكون تحت تأثير المخدرات أو الكحول أو الأدوية. عدم الانتباه للحظة واحدة عند استخدام العدة الكهربائية قد يؤدي إلى إصابات خطيرة.

**قم بالارتداء تجهيزات الحماية الشخصية.** وارتد دائما نظارات واقية. إن ارتداء تجهيزات الحماية الشخصية، كقناع الوقاية من الغبار وأحذية الأمان الواقية من الانزلاق والوذو أو واقية الأذنين، حسب ظروف استعمال العدة الكهربائية، يقلل من خطر الإصابة بجروح.

**تجنب التشغيل بشكل غير مقصود.** تأكد من كون العدة الكهربائية مطفاة قبل توصيلها بالتيار الكهربائي و/أو بالمركم، وقبل رفعها أو حملها. إن كنت تضع إصبعك على المفتاح أثناء حمل العدة الكهربائية أو إن وصلت الجهاز بالشبكة الكهربائية بينما المفتاح على وضع التشغيل، فقد يؤدي هذا إلى وقوع الحوادث.

**انزع أي أداة ضبط أو مفتاح ربط قبل تشغيل العدة الكهربائية.** قد يؤدي ترك أداة أو مفتاح في جزء دوار من الجهاز إلى الإصابة بجروح.

**تجنب أوضاع الجسم غير الطبيعية.** قف بأمان وحافظ على توازنك دائما. سيسمح لك ذلك بالتمكك في الجهاز بشكل أفضل في المواقع غير المتوقعة.

**قم بالارتداء ثياب مناسبة.** لا ترتد الثياب الفضفاضة أو الحللي المتدلية. حافظ على إبقاء الشعر والثياب والقفازات على بعد عن أجزاء الجهاز المتحركة. قد تتشابك الثياب الفضفاضة والحلى والشعر الطويل بالأجزاء المتحركة.

**في حالة التزود بتجهيزات شفط وتجميع الغبار، فتأكد من أنها موصلة ومستخدمة بشكل سليم.** قد يقلل استخدام تجهيزات شفط الغبار من المخاطر الناتجة عن الغبار.

#### استخدام العدة الكهربائية والعناية بها

**لا تفرط في تحميل الجهاز.** استخدم لتنفيذ أشغالك العدة الكهربائية المخصصة لذلك. استخدام العدة الكهربائية الصحيحة سنجز العمل بصورة أفضل وأكثر أمانا بالمعدل الذي صممت من أجله.

**لا تستخدم العدة الكهربائية إن كان مفتاح تشغيلها معطل.** العدة الكهربائية التي لم يعد من الممكن التمكن بها عن طريق مفتاح التشغيل والإطفاء تعتبر خطيرة ويجب أن يتم إصلاحها.

**عند القاسم من المقبس و/أو انزع المركم من العدة الكهربائية قبل إجراء أي أعمال الضبط على الجهاز وقبل استبدال التوابع أو قبل تخزين العدة الكهربائية.** تقلل هذه

## عربي

### إرشادات الأمان

#### تحذيرات أمان عامة للعدد الكهربائية

##### اقرأ جميع تحذيرات الأمان والتعليمات. عدم مراعاة

تحذيرات الأمان وعدم اتباع التعليمات قد يؤدي إلى الصدمات الكهربائية و/أو نشوب حرائق و/أو الإصابة بجروح خطيرة.

**احتفظ بجميع تحذيرات الأمان والتعليمات للرجوع إليها فيما بعد.**

يقصد بمصطلح «العدة الكهربائية» المستخدم في تحذيرات الأمان، العدد الكهربائية الموصلة بالشبكة الكهربائية (بواسطة كابل الشبكة الكهربائية) وأيضا العدد الكهربائية المشغلة بمركم (دون كابل الشبكة الكهربائية).

#### الأمان بمكان العمل

**احرص على أن يكون مكان العمل نظيفا ومضاء بشكل جيد.** الفوضى في مكان العمل ونطاقات العمل غير المضاءة قد تؤدي إلى وقوع الحوادث.

**لا تشغل العدة الكهربائية في أجواء معرضة لخطر الانفجار، مثل الأماكن التي تتوفر فيها السوائل أو الغازات أو الأبخرة القابلة للاشتعال.** العدد الكهربائية تولد شررا قد يتسبب في إشعال الأبخرة والأبخرة.

**احرص على بقاء الأطفال وغيرهم من الأشخاص بعيدا عند تشغيل العدة الكهربائية.** تشتت الانتباه قد يتسبب في فقدان السيطرة على الجهاز.

#### الأمان الكهربائي

**يجب أن تكون قوابس العدد الكهربائية متلائمة مع المقابس.** لا يجوز تعديل القابس بأي صورة من الصور. لا تستعمل القوابس المهيأة مع العدد الكهربائية المؤرصة (ذات طرف أرضي). تقلل القوابس التي لم يتم تعديلها والمقابس المتلائمة من خطر الصدمات الكهربائية.

**تجنب ملامسة جسمك للأسطح المؤرصة كالأنابيب والمبردات والمواقد أو الثلجات.** يزداد خطر الصدمات الكهربائية عندما يكون جسمك مؤرر أو موصل بالأرضي.

**أبعد العدد الكهربائية عن الأمطار أو الرطوبة.** يزداد خطر الصدمات الكهربائية إن تسرب الماء إلى داخل العدة الكهربائية.

**لا تسئ استعمال الكابل.** لا تستخدم الكابل في حمل العدة الكهربائية أو سحبها أو سحب القابس من المقبس. احرص على إبعاد الكابل عن الحرارة والزيت والحواف الحادة أو الأجزاء المتحركة. تزيد الكابلات التالفة أو المتشابكة من خطر الصدمات الكهربائية.

**عند استخدام العدة الكهربائية خارج المنزل اقتصر على استخدام كابلات التمديد الصالحة للاستعمال في الأماكن المكشوفة.** يقلل

◀ لا تضغط إلا على خط واحد مع الريشة، ولا تضغط بشكل زائد. فقد تنثني الريش، وتعرض للكسر أو تسبب فقدان السيطرة، مما يؤدي لوقوع إصابات.

#### إرشادات الأمان الإضافية

◀ استخدم المقبض (المقابض) الإضافية إذا كانت العدة مزودة بها. فقدان السيطرة على المعدة قد يتسبب في حدوث إصابات.

◀ أمسك العدة الكهربائية جيدا بكلتا اليدين عند العمل، واحرص على أن تكون في وضعية ثابتة. يتم توجيه العدة الكهربائية بأمان بواسطة اليدين الأيمنتين.

◀ أوقف العدة الكهربائية على الفور في حالة تعرض عدة الشغل للانصهار. كن مستعدا لمواجهة عزوم رد الفعل العالية، والتي تسبب صدمة ارتدادية. تنحصر عدة الشغل عندما يتم التحميل بشكل زائد على العدة الكهربائية أو إذا انقضت في قطعة الشغل التي تعمل عليها.

◀ احرص على تأمين قطعة الشغل. قطعة الشغل المثبتة بواسطة تجهيزه شد أو بواسطة الملزمة مثبتة بأمان أكبر مما لو تم الإمساك بها بواسطة يدك.

◀ استخدم أجهزة تنقيب ملائمة للعثور على خطوط الامداد غير الظاهرة، أو استعن بشركة الامداد المحلية. ملائمة الفطوط الكهربائية قد تؤدي إلى اندلاع النار وإلى الصدمات الكهربائية. حدوث أضرار بخط الغاز قد يؤدي إلى حدوث انفجارات. اختراق خط الماء بشكل الأضرار المادية أو قد يؤدي إلى الصدمات الكهربائية.

◀ انتظر إلى أن تتوقف العدة الكهربائية عن الحركة قبل أن تضعها جانبا. قد تتكلم عدة الشغل فتؤدي إلى فقدان السيطرة على العدة الكهربائية.

◀ لا تقم بلمس أدوات الشغل أو أجزاء جسم الجهاز الملاصقة لها بعد التشغيل مباشرة. فقد تتعرض هذه الأجزاء للسخونة أثناء التشغيل، مما يعرضك للاحتراق في حالة لمسها.

◀ قد تتعرض أداة الشغل للإعاقة أثناء عملية الثقب. احرص على أن تكون في وضعية ثابتة، وأمسك الجهاز جيدا بكلتا يديك. وإلا فقد تفقد السيطرة على العدة الكهربائية.

◀ كن حذرا أثناء أعمال الهدم باستخدام الأزميل. قد تتسبب قطع التكسير المتساقطة في إصابة الأشخاص المحيطين بك أو إصابتك أنت نفسك.

◀ أمسك العدة الكهربائية جيدا بكلتا اليدين عند العمل، واحرص على أن تكون في وضعية ثابتة. يتم توجيه العدة الكهربائية بأمان بواسطة اليدين الأيمنتين.

## وصف المنتج والأداء

اقرأ جميع إرشادات الأمان والتعليمات. ارتكاب الأخطاء عند تطبيق إرشادات الأمان والتعليمات، قد يؤدي إلى حدوث صدمات كهربائية أو إلى نشوب الحرائق و/أو الإصابة بجروح خطيرة.



الإجراءات وقائية من خطر تشغيل العدة الكهربائية بشكل غير مقصود.

◀ احتفظ بالعدد الكهربائية التي لا يتم استخدامها بعيدا عن متناول الأطفال. لا تسمح باستخدام العدة الكهربائية لمن لا خبرة له بها أو لمن لم يقرأ تلك التعليمات. العدد الكهربائية خطيرة إن تم استخدامها من قبل أشخاص دون خبرة.

◀ احرص على صيانة العدد الكهربائية. تأكد أن أجزاء الجهاز المتحركة مركبة بشكل سليم وغير مستعصبة الحركة، وتفحص ما إن كانت هناك أجزاء مكسورة أو في حالة تؤثر على سلامة أداء العدة الكهربائية. ينبغي إصلاح هذه الأجزاء التالفة قبل إعادة تشغيل الجهاز. الكثير من الموادث مصدرها العدد الكهربائية التي تتم صيانتها بشكل رديء.

◀ احرص على إبقاء عدد القطع نظيفة وحادة. إن عدد القطع ذات حواف القطع المادة التي تم صيانتها بعناية تتكلم بشكل أقل ويمكن توجيهها بشكل أيسر.

◀ استخدم العدد الكهربائية والتوايح وريش الشغل إلخ. وفقا لهذه التعليمات. تراعى أثناء ذلك ظروف الشغل والعمل المراد تنفيذه. استخدام العدد الكهربائية لغير الأعمال المخصصة لأجلها قد يؤدي إلى حدوث الحالات الخطيرة.

#### الخدمة

◀ احرص على إصلاح عدتك الكهربائية فقط بواسطة الفنيين المتخصصين وباستعمال قطع الغيار الأصلية فقط. يضمن ذلك المحافظة على أمان الجهاز.

## تحذيرات الأمان المتعلقة بالمطرقة والمتاب

#### تعليمات الأمان لكافة التطبيقات

◀ استخدم المقبض (المقابض) الإضافي. فقدان السيطرة على المعدة قد يتسبب في حدوث إصابات.

◀ أمسك العدة الكهربائية من أسطح المسك المعزولة عند القيام بأعمال قد يترتب عليها ملامسة ملحق القطع لأسلاك كهربائية غير ظاهرة أو للسلك الخاص بالعدة نفسها. ملامسة ملحق القطع أو أدوات الربط لسلك «مكهرب» قد يتسبب في مرور التيار في الأجزاء المعدنية من العدة وجعلها مكهربة مما قد يصيب المشغل بصدمة كهربائية.

تعليمات الأمان عند استخدام ريش ثقب طويلة  
◀ لا تقم أبدا بالتشغيل بسرعة أعلى من السرعة القصوى المقررة لريشة الثقب. فعلى السرعات العالية ستكون الريشة معرضة للثني في حالة دورانها بشكل حر دون لمس قطعة الشغل، مما قد يؤدي لوقوع إصابات.

◀ احرص دائما على بدء الثقب بسرعة منخفضة بحيث تكون رأس الريشة ملاصقة لقطعة الشغل. فعلى السرعات العالية ستكون الريشة معرضة للثني في حالة دورانها بشكل حر دون لمس قطعة الشغل، مما قد يؤدي لوقوع إصابات.

**مطرقة تثقيب GBH 2-28****أقصى قطر ثقب**

28	مم	- الفرسانة
68	مم	- الجدران (طربوش ثقب مجوف)
13	مم	- فولاذ
30	مم	- خشب
2,9	كجم	الوزن حسب EPTA- Procedure 01:2014
		فئة الحماية II/□

تسري البيانات على جهد اسمي [U] يبلغ 230 فلت. قد تختلف تلك البيانات حسب اختلاف الجهد والظروف الخاصة بكل دولة.

قد تختلف القيم حسب المنتج وظروف الاستخدام والبيئة. المزيد من المعلومات على موقع الإنترنت [www.bosch-professional.com/wac](http://www.bosch-professional.com/wac).

**التركيب**

◀ اسحب القابس من مقبس الشبكة الكهربائية قبل إجراء أي عمل على العدة الكهربائية.

**مقبض إضافي**

◀ استخدم العدة الكهربائية فقط مع المقبض الإضافي (10).

◀ تأكد دائمًا أن المقبض الإضافي مربوط بإحكام. وإلا فقد تفقد السيطرة على العدة الكهربائية في أي وقت أثناء العمل.

**تريك المقبض الإضافي (انظر الصورة A)**

يمكنك تريك المقبض الإضافي (10) كما تريد للوصول إلى وضع عمل آمن ومريح.

- أدر قطعة المقبض السفلية بالمقبض الإضافي (10) عكس اتجاه عقارب الساعة وحرك المقبض الإضافي (10) إلى الوضع المرغوب. أدر قطعة القبض السفلية بالمقبض الإضافي (10) بعد ذلك في اتجاه حركة عقارب الساعة بإحكام. انتبه إلى دخول سير شد المقبض الإضافي في الحز المخصص له بالهيكل.

**اختيار ظرف ريش الثقب والعدد**

لأعمال التثقيب المرفق بالطرق والنمت تحتاج إلى عدد SDS-plus التي يتم تركيب ظرف ريش الثقب SDS-plus فيها.

من أجل الثقب دون دق في الخشب والمعادن والخزف واللدائن وأيضا لربط اللوالب تستخدم العدد دون SDS plus (مثلاً: لقم تثقيب بساق اسطوانية). ظرف المثقاب البديل سريع الشد من أجل هذه العدد.

**استبدال العدد**

يعمل غطاء الوقاية من الغبار (2) على منع دخول غبار الثقب إلى حاضن العدة أثناء الاستخدام. احرص أثناء استخدام العدة الكهربائية على عدم حدوث أضرار بغطاء الوقاية من الغبار (2).

◀ يجب تغيير غطاء الوقاية من الغبار التالف على الفور. وينصح أن يتم ذلك من قبل مركز خدمة العملاء.

يرجى الرجوع إلى الصور الموجودة في الجزء الأول من دليل التشغيل.

**الاستعمال المخصص**

العدة الكهربائية مخصصة للتثقب المرفق بالطرق في الخرسانة والطوب والحجر وأيضا لإجراء أعمال النمت الخفيفة. كما أنها صالحة للتثقب بلا دق في الخشب والمعادن والخزف والبلاستيك. وتصلح العدد الكهربائية المزودة بالتحكم الإلكتروني والدوران اليميني/اليساري لربط اللوالب أيضا.

**الأجزاء المصورة**

يشير ترقيم الأجزاء المصورة إلى الصورة المعروضة للعدة الكهربائية في صفحة الرسوم.

- (1) حاضن العدة SDS plus
- (2) غطاء الوقاية من الغبار
- (3) جلبة إقفال
- (4) مفتاح تحويل اتجاه الدوران
- (5) زر تثبيت مفتاح التشغيل والإطفاء
- (6) مفتاح التشغيل والإطفاء
- (7) زر تمرير مفتاح إيقاف الدق/الدوران
- (8) مفتاح إيقاف الدق/الدوران
- (9) زر ضبط محدد العمق
- (10) مقبض إضافي (سطح قبض معزول)
- (11) محدد العمق
- (12) مقبض (سطح قبض معزول)
- (13) شفت الغبار باستخدام GDE 16 Plus<sup>a</sup>
- (14) غطاء تجميع الغبار<sup>a</sup>
- (15) حامل شامل مع ساق حاضن SDS plus<sup>a</sup>

(a) لا يتضمن إطار التوريد الاعتيادي التوابع المصورة أو المشروحة. تجد التوابع الكاملة في برنامجنا للتوابع.

**البيانات الفنية**

مطرقة تثقيب GBH 2-28	
رقم الصنف	3 611 B67 5..
التحكم بعدد اللفات	●
دوران يميني/يساري	●
قدرة الدخل الاسمية	880 واط
عدد الطرقات	4000-0 min <sup>-1</sup>
قوة الطرقة المفردة حسب EPTA- Procedure 05:2016	3,2 جول
عدد اللفات الاسمي	دقيقة <sup>1</sup> 0-900
حاضن العدة	SDS plus
قطر عنق محور الدوران	50 مم

## غطاء تجميع الغبار (توابع) (انظر الصورة E)

للتجميع البسيط للغبار دون شفت يلزم استخدام غطاء تجميع الغبار (14).

## التشغيل

### بدء التشغيل

◀ يراعى جهد الشبكة الكهربائية! يجب أن يتطابق جهد منبع التيار مع المعلومات المذكورة على لافتة طراز العدة الكهربائية. يمكن أن يتم تشغيل العدة الكهربائية المميزة بعلامة 230 فلت في مقبس 220 فلت أيضًا.

### ضبط نوع التشغيل

اختر باستخدام مفتاح إيقاف الطرق/الدوران (8) نوع تشغيل العدة الكهربائية.

- اضغط على زر التحرير (7) لتغيير نوع التشغيل وأدر مفتاح إيقاف الدق/إيقاف الدوران (8) إلى الوضع المرغوب إلى أن يتعاشق بصوت مسموع.

**إرشاد:** قم بتغيير نوع التشغيل فقط عندما تكون العدة الكهربائية مطفأة. وإلا، فقد يتم إتلاف العدة الكهربائية.

وضع الثقب المرفق بالطرق في  
الخرسانة والمجر



وضع الثقب دون طرق في الخشب  
والمعادن والخزف واللدائن وأيضاً لغرض  
ربط الوالاب



وضع القفل المتغير Vario-Lock لضبط  
وضع النحت  
في هذا الوضع لا يتعاشق مفتاح إيقاف  
الدق/إيقاف الدوران (8).



وضع النحت



### ضبط اتجاه الدوران

يمكنك أن تغير اتجاه دوران العدة الكهربائية (4) بواسطة مفتاح تغيير اتجاه الدوران. إلا أنه لا يمكن تغييره عندما يكون مفتاح التشغيل والإطفاء (6) مضغوطاً.

◀ لا تضغط على مفتاح تحويل اتجاه الدوران (4) إلا والعدة الكهربائية متوقفة.

إضبط اتجاه الدوران دائماً على الدوران اليميني من أجل التشقيب المرفق بالطرق والتثقيب والنحت.

- دوران اليمين: حرك مفتاح تحويل اتجاه الدوران (4) من الجانبين حتى النهاية إلى الوضع ◀.

- دوران اليسار: حرك مفتاح تحويل اتجاه الدوران (4) من الجانبين حتى النهاية إلى الوضع ▶.

### التشغيل والإطفاء

- لغرض تشغيل العدة الكهربائية، اضغط على مفتاح التشغيل/الإطفاء (6).

## استبدال العدد (SDS-plus)

تركيب عدة الشغل SDS-plus (انظر الصورة B) مع طرف ريش الثقب SDS-plus يمكنك تغيير عدة الشغل بكل سهولة وراحة دون استخدام عدد إضافية.

- نظف طرف الإدخال بعدة الشغل وشحمه قليلاً.  
- قم بتركيب عدة الشغل في حاضن العدة أثناء إدارتها إلى أن تتعاشق من تلقاء نفسها.  
- افحص ثبات الإقفال من خلال جذب العدة.

تكون عدة الشغل SDS-plus حرة الحركة وفقاً لتصميم النظام. مما يؤدي إلى انحراف دوراني عند التشغيل بلا حمل. لا يؤثر ذلك على دقة الثقب، لأن لقمة الثقب تتركز من تلقاء نفسها أثناء الثقب.

### فك عدة الشغل SDS-plus (انظر الصورة C)

- ادفع لبيسة الإقفال (3) إلى الخلف وانزع عدة الشغل.

## شفط الغبار/النشارة

إن غبار بعض المواد كالطلاء الذي يحتوي على الرصاص، وبعض أنواع الخشب والفلزات والمعادن، قد تكون مضرّة بالصحة. إن ملامسة أو استنشاق غبار قد يؤدي إلى أعراض حساسية و/أو إلى أمراض الجهاز التنفسي لدى المستخدم أو لدى الأشخاص المتواجدين على مقربة من المكان.

تعتبر بعض الأعبرة المعبنة، كأعبرة البلوط والزان، مسببة للسرطان، ولا سيما عند الارتباط بالمواد الإضافية لمعالجة الخشب (ملح حامض الكروميك، المواد الحافظة للخشب). يجوز أن يتم معالجة المواد التي تحتوي على الأسبستوس من قبل العمال المتخصصين فقط دون غيرهم.

- استخدم شافطة غبار ملائمة للمادة قدر الإمكان.  
- حافظ على تهوية مكان الشغل بشكل جيد.

- ينصح بارتداء قناع وقاية للتنفس بفئة المرشح P2.

تراعى الأحكام السارية في بلدكم بالنسبة للمواد المرغوب معالجتها.

◀ تجنب تراكم الغبار بمكان العمل. يجوز أن تشتعل الأعبرة بسهولة.

## شفط الغبار باستخدام GDE 16 Plus

### (توابع) (انظر الصورة D)

يتطلب شفط الغبار GDE 16 Plus (توابع).

يجب أن تصلح شافطة الغبار الخوائية للاستعمال مع مادة الشغل المرغوب معالجتها.

استخدم شافطة غبار خوائية خاصة عند شفط الأعبرة المضرّة بالصحة أو المسببة للسرطان أو الشديدة الجفاف.

## شفط الغبار باستخدام GDE 18V-26 D

### (توابع)

يتطلب شفط الغبار تجهيزة شفت GDE 18V-26 D (توابع).

يُراعى عند استخدام GDE 18V-26 D إرشادات الاستخدام السليم الواردة في دليل التشغيل المعني.

- تركيب لقم ربط اللوالب (انظر الصورة G)**
- ◀ **ضع العدة الكهربائية على اللولب/الصامولة فقط عندما تكون مطفاة.** إن عدد الشغل الدوارة قد تنزلق.
- لاستخدام لقم ربط اللوالب تحتاج إلى حامل شامل (15) مع ساق حوض SDS-plus (توابع).
- نظف طرف إدخال ساق الحوض وشحمه قليلاً.
  - اغرز الحامل العام في حوض العدة أثناء إدارته إلى أن يتم إقفاله من تلقاء نفسه.
  - تفحص إحكام الثبات من خلال سحب الحامل العام.
  - ركب لقم ربط اللوالب في الحامل العام. استخدم فقط لقم ربط اللوالب التي تلائم رأس اللولب.
  - لفك الحامل الشامل قم بدفع لبيسة الإقفال (3) إلى الخلف وانزع الحامل الشامل (15) من حوض العدة.

## الصيانة والخدمة

### الصيانة والتنظيف

- ◀ **اسحب القابس من مقبس الشبكة الكهربائية قبل إجراء أي عمل على العدة الكهربائية.**
- ◀ **للعمل بشكل جيد وآمن حافظ دائماً على نظافة العدة الكهربائية وفتحات التهوية.**
- إذا تطلب الأمر استبدال خط الإمداد، فينبغي أن يتم ذلك من قبل شركة Bosch أو من قبل مركز خدمة الزبائن المعتمد لشركة Bosch للعدد الكهربائية، لتجنب التعرض للمخاطر.
- ◀ **يجب تغيير غطاء الوقاية من الغبار التالف على الفور. وينصح أن يتم ذلك من قبل مركز خدمة العملاء.**
- قم بتنظيف حوض العدة (1) بعد كل استخدام.

### خدمة العملاء واستشارات الاستخدام

- يجيب مركز خدمة العملاء على الأسئلة المتعلقة بإصلاح المنتج وصيانته، بالإضافة لقطع الغيار. تجد الرسوم التفصيلية والمعلومات الخاصة بقطع الغيار في الموقع: [www.bosch-pt.com](http://www.bosch-pt.com)
- يسر فريق Bosch لاستشارات الاستخدام مساعدتك إذا كان لديك أي استفسارات بخصوص منتجاتنا وملحقاتها.
- يلزم ذكر رقم الصنف ذو الفئات العشر وفقاً للوحة صنع المنتج عند إرسال أية استفسارات أو طلبيات قطع غيار.

**تجد المزيد من عناوين الخدمة تحت:**  
[www.bosch-pt.com/serviceaddresses](http://www.bosch-pt.com/serviceaddresses)

### التخلص من العدة الكهربائية

- ينبغي تسليم العدد الكهربائية والتوابع والعبوة إلى مركز معالجة النفايات بطريقة محافظة على البيئة.
- لا ترم العدد الكهربائية ضمن النفايات المنزلية.



- لغرض تثبيت مفتاح التشغيل والإطفاء (6) احتفظ به مضغوطاً واضغط على القفل أيضاً (5).
- لغرض إطفاء العدة الكهربائية، اترك مفتاح التشغيل والإطفاء (6)، في حالة ثبات مفتاح التشغيل والإطفاء (6)، اضغط عليه أولاً ثم أتركه بعد ذلك.

### ضبط عدد اللفات/عدد الطرقات

- يمكنك أن تتحكم بعدد اللفات/عدد الطرقات بالعدة الكهربائية قيد التشغيل دون تدريب، حسب مدى الضغط على مفتاح التشغيل والإطفاء (6).
- يؤدي الضغط الخفيف على مفتاح التشغيل والإطفاء (6) إلى عدد لفات/طرقات منخفض. ويرتفع عدد اللفات/الطرقات بزيادة الضغط.

### تغيير وضع الإزميل (إقفال - تغيير)

- يمكنك تثبيت الإزميل في أوضاع 36. ويمكنك بذلك أن تتخذ وضعية الشغل الأنسب في كل حالة.
- ركب الإزميل في حوض العدة.
  - أدر مفتاح إيقاف الدق/إيقاف الدوران (8) إلى وضع „Vario-Lock“ (القفل المتغير).
  - أدر عدة الشغل إلى وضع الإزميل المرغوب.
  - أدر مفتاح إيقاف الدق/إيقاف الدوران (8) إلى وضع "النحت". يتم إقفال حوض العدة بذلك.
  - اضبط اتجاه الدوران من أجل النحت في وضع الدوران اليميني.

### إرشادات العمل

#### ضبط عمق الثقب (انظر الصورة F)

- باستخدام محدد العمق (11) يمكن تحديد عمق الثقب المرغوب X.
- اضغط على الزر الخاص بضبط محدد العمق (9) وقم بتركيب محدد العمق في المقبض الإضافي (10).
  - يجب أن تشير الحزوز على محدد العمق (11) إلى الأسفل.
  - حرك عدة الشغل SDS-plus حتى النهاية في حوض العدة (1) SDS-plus. قد تؤدي سهولة حركة عدة الشغل SDS-plus إلى ضبط خطأ للعمق الثقب.
  - أخرج محدد العمق بحيث تكون المسافة بين رأس ريشة الثقب وطرف محدد العمق مطابقة للعمق المرغوب X.

#### خاصية الإطفاء السريع (وظيفة Kickback Control)



- تتيح خاصية الإطفاء السريع (Kickback Control) تحكماً أفضل في العدة الكهربائية وتزيد من درجة حماية المستخدم مقارنة بالعدد الكهربائية غير المزودة بوظيفة Kickback Control. في حالة الدوران المفاجئ وغير المتوقع للعدة الكهربائية حول محور الثقب تنطفئ العدة الكهربائية.

- لغرض إعادة التشغيل اترك مفتاح التشغيل والإطفاء (6) واضغط عليه مرتين مجدداً.

## עברית

### הוראות בטיחות

#### אזהרות בטיחות כלליות לכלי עבודה חשמליים

##### ⚠ אזהרה

קראו את כל אזהרות הבטיחות וההנחיות. אי ציות לאזהרות או להנחיות עלול להוביל להתחשמלות, לשרפה ו/או לפציעות קשות.

##### שמרו את כל האזהרות וההנחיות לעיון בעתיד.

המונח "כלי עבודה חשמלי" באזהרות מתייחס לכלי עבודה המחובר לרשת החשמל (באמצעות כבל) או לכלי עבודה המופעל באמצעות סוללה (בטען).

#### בטיחות באזור העבודה

שמרו על אזור העבודה נקי ומואר היטב. אזורים לא מסודרים או חשוכים מגבירים את האפשרות לתאונות.

אל תפעילו כלי עבודה חשמליים באזורים בעלי סביבה נפיצה, כגון בנוכחות נוזלים וגזים דליקים. כלי עבודה יוצרים ניצוצות, אשר עלולים להצית אבק או גזים.

הרחיקו ילדים ואנשים אחרים מכלי העבודה החשמלי במהלך העבודה. היסח דעת עלול לגרום לכם לאבד את השליטה בכלי.

#### בטיחות חשמלית

התקע של כלי העבודה החשמלי חייב להתאים לשקע החשמלי. לעולם אין לערוך שינוי כלשהו בתקע. אין להשתמש בתקעים מתאימים עם כלי עבודה חשמליים מוארקים. תקעים מקוריים ושקעים תואמים מפחיתים את הסיכון להתחשמלות.

הימנעו ממגע במשטחים מוארקים, כגון צינורות, רדיאטורים, תנורים ומקררים. כאשר גופכם מוארק גדל הסיכון להתחשמלות.

אין לחשוף כלי עבודה חשמליים לגשם או לרטיבות. מים שחדרים לכלי העבודה החשמלי מגדילים את הסיכון להתחשמלות.

אין לפגוע בכבל החשמל. בשום אופן אין להשתמש בכבל החשמלי לנשיאה או למשיכה של כלי העבודה החשמלי או לכיתוק התקע. הרחיקו את הכבל החשמלי מחום, שמן, קצוות חדים או חלקים נעים. כבלים חשמליים פגומים או מפותלים מגדילים את הסיכון להתחשמלות.

בעבודה עם כלי עבודה חשמלי בחוץ יש להשתמש בכבל מאריך המתאים לעבודה בחוץ. עבודה עם כבל מאריך המתאים לעבודה בחוץ מפחיתה את הסיכון להתחשמלות.

אם אין ברירה אלא לעבוד עם כלי העבודה החשמלי בסביבה לחה יש לחבר אותו למקור חשמל המוגן באמצעות ממסר פחת (RCD). שימוש בממסר פחת מפחית את הסיכון להתחשמלות.

#### בטיחות אישית

היו עירניים ומדויקים, שימו לב לפעולות שלכם ונהגו בתבונה כשאתם משתמשים בכלי העבודה החשמלי. אל תשתמשו בכלי העבודה החשמלי כשאתם עייפים או תחת השפעת סמים, אלכוהול או תרופות. די ברגע

אחד של חוסר תשומת לב בדמן העבודה עם כלי העבודה החשמלי כדי לגרום פציעות קשות.

השתמשו בציוד מגן אישי. לבשו תמיד משקפי מגן. ציוד מגן, כגון מסכת אבק, נעלי בטיחות מונעות החלקה, קסדה או מגני שמיעה וציוד נכון לתנאי העבודה מפחיתים את הסיכון לפציעות.

מנעו התחלת פעולה לא מכוונת. ודאו שהמתג נמצא במצב כבוי לפני שאתם מחברים את כלי העבודה החשמלי למקור חשמל ו/או לפני חיבור הסוללה, הרמה או נשיאה של הכלי. נשיאת כלי העבודה החשמלי עם האצבע על המתג או אספקת חשמל לכלי עבודה הנמצאים במצב מופעל מגבירים את הסיכוי לתאונות.

הסירו את מפתח הברגים או כלי כוונון לפני הפעלת כלי העבודה החשמלי. מפתח ברגים או כלי כוונון שנותרים מחוברים לחלק מסתובב של כלי העבודה החשמלי עלולים לגרום פציעות.

אין לעבוד ברכינה גדולה קדימה. שמרו על עמידה יציבה ומאוזנת בכל זמן. כך תוכלו לשלוט טוב יותר בכלי העבודה החשמלי במצבים לא צפויים.

התלבשו באופן מתאים. אל תלבשו בגדים רופפים או תכשיטים. הרחיקו שיער, בגדים וכפפות מחלקים נעים. בגדים רופפים, תכשיטים או שיער ארוך עלולים להיתפס בחלקים נעים.

אם אתם עובדים עם ציוד לשאיבת אבק ודאו שהמחברים מחוברים בצורה תקינה ונכונה. שימוש בציוד לשאיבת אבק עשוי להפחית את הסכנות הנובעות מאבק.

#### שימוש בכלי עבודה חשמליים וטיפול בהם

אין לעבוד בכוח עם כלי העבודה החשמלי. השתמשו בכלי העבודה החשמלי המתאים לסוג העבודה שלכם. כלי העבודה החשמלי המתאים יבצע את העבודה טוב יותר ובצורה בטוחה יותר, בהתאם ליעודו.

אין להשתמש בכלי העבודה החשמלי אם המתג אינו מפעיל ומכבה אותו. כל כלי עבודה חשמלי שאי אפשר לשלוט בו באמצעות מתג ההפעלה/כיבוי הוא כלי מסוכן שיש לתקנו.

נתקו את התקע משקע החשמל ו/או הוציאו את הסוללה מכלי העבודה לפני ביצוע שינויים, החלפת אביזרים או אחסון כלי העבודה החשמלי. אמצעי מנע אלה מפחיתים את הסיכון שכלי העבודה יתחיל לפעול בשוגג.

אחסנו את כלי העבודה כשאינו בשימוש הרחק מהישג ידם של ילדים, ואל תאפשרו לאנשים שאינם מכירים את כלי העבודה החשמלי והוראות אלה להפעיל את כלי העבודה החשמלי. כלי עבודה חשמליים מסוכנים כשהם בידיים של משתמשים לא מנוסים.

תחזקו את כלי העבודה החשמליים. בדקו חוסר התאמה או תנועה לא חלקה בין חלקים נעים, בדקו חלקים שבורים או כל מצב אחר שעלול להשפיע על פעולת כלי העבודה החשמלי. אם כלי העבודה החשמלי ניזוק, דאגו לתקנו לפני השימוש. תאונות רבות נגרמות מכלי עבודה חשמליים שאינם מתוחזקים כהלכה.

שמרו על כלי החיתוך חדים ונקיים. יש לתחזק ולהשחיד את כלי החיתוך בהתאם להוראות, כך יהיה קל יותר לשלוט בהם ויש פחות סיכוי שהם ייתקעו בחומר.

- לפיצוץ. חדירה לצנרת מים תגרום נזק לרכוש ועלולה לגרום אף להתחשמלות.
- ◀ **המתינו עד שהכלי החשמלי נעצר לגמרי לפני שאתם מניחים אותו.** הלהב עלול להתקע ולגרום לאובדן השליטה על כלי העבודה.
- ◀ **אל תיגעו באבזר המחובר או בגוף כלי העבודה מיד לאחר השימוש.** חלקים אלה עשויים להתחמם מאוד במהלך העבודה ולגרום כוויות.
- ◀ **האבזר עלול להתקע במהלך הקידוח. הקפידו לעמוד בצורה בטוחה ויציבה, והחזיקו את כלי העבודה היטב בשתי ידיים.** אחרת אתם עלולים לאבד שליטה על הכלי.
- ◀ **היו זהירים בעבודות פריצה עם אדמל.** שברים שנופלים מהחומר שבו אתם חוצבים עלולים לפצוע אנשים אחרים או אתכם.
- ◀ **אחזו את הכלי היטב בשתי ידיים בעת העבודה.** עבודה בשתי ידיים מבטיחה הובלה טובה יותר של הכלי.

## תיאור המוצר והביצועים שלו

- ◀ **קראו את הוראות הבטיחות וההנחיות.** אי ציות להוראות הבטיחות ולהנחיות עלול להוביל להתחשמלות, שריפה ו/או פציעות קשות.
- ◀ שימו לב בבקשה לאיורים בחלק הקדמי של



הוראות ההפעלה.

### שימוש בהתאם ליעוד

כלי העבודה מיועד לקידוח בהלימה בבטון, בלבנים ובאבן כמו גם לעבודות חציבה קלות. כמו כן הוא מיועד לקידוח ללא הלימה בעץ, מתכת, קרמיקה ופלסטיק. כלי עבודה עם ויסות אלקטרוני ואפשרות סיבוב שמאלה/ימינה מתאימים גם להברגות.

### רכיבים מוצגים

מספור הרכיבים המוצגים מתייחס לתצוגה של כלי העבודה החשמלי בדף התרשימים.

- (1) תפסנית SDS plus
- (2) מגן אבק
- (3) טבעת נעילה
- (4) מתג כיוון סיבוב
- (5) לחצן קיבוע למתג ההדלקה/כיבוי
- (6) מתג הדלקה/כיבוי
- (7) לחצן שחרור עבור מתג עצירת סיבוב/הלימה
- (8) מתג עצירת סיבוב/הלימה
- (9) לחצן לכוונון מעצור העומק
- (10) ידית עזר (משטח אחיזה מבודד)
- (11) מעצור עומק
- (12) ידית אחיזה (משטח אחיזה מבודד)
- (13) שאיבת אבק GDE 16 Plus<sup>a</sup>
- (14) כיסוי איסוף אבק<sup>a</sup>

- ◀ **השתמשו בכלי העבודה החשמלי, באבזרים ובכלים המחוברים אליו בהתאם להוראות אלה, תוך התחשבות בסביבת העבודה ובעבודה שעליכם לבצע.** שימוש בכלי העבודה החשמלי לעבודות שלא לשמן הוא מיועד עלול להוביל למצבים מסוכנים.

### שירות

- ◀ **הביאו את כלי העבודה שלכם לתיקונים ולטיפולים רק במעבדת תיקונים מורשית, המשתמשת בחלקי חילוף מקוריים.** כך תבטיחו שמירה על בטיחות כלי העבודה.

### אזהרות בטיחות לפטישונים ומקדחות

#### הוראות בטיחות לכול העבודות

- ◀ **השתמשו במגני שמיעה.** חשיפה לרעש עלולה לגרום לאבדן שמיעה.
- ◀ **השתמשו בידי/ידיות העזר.** אובדן שליטה עלול לגרום פציעה.
- ◀ **יש לאחוז את הכלי היטב לפני השימוש.** כלי זה יוצר מומנט פיתול גבוה, וללא אחיזה יציבה של הכלי במהלך העבודה המשתמש עלול לאבד את השליטה בכלי וכתוצאה מכך להיפצע.
- ◀ **יש לאחוז בכלי העבודה במשטחי האבחזיה המבודדים שלו בעת ביצוע פעולה שבה אבזר החיתוך עלול לפגוע במוליכי חשמל סמויים או בכבל ההדנה של כלי העבודה עצמו.** אבזר חיתוך שבה במגע עם מוליכים "חיים" עלול להפוך את חלקי המתכת החשופים של כלי העבודה ל"חיים" ולחשמל את המפעיל.

#### הוראות בטיחות בשימוש במקדחים ארוכים

- ◀ **לעולם אין לעבוד במהירות גבוהה ממהירות המקסימום הנקובה של המקדח.** במהירויות גבוהות המקדח עשוי להתקעם כשהוא מסתובב ללא מגע בחלק שבעבודה, דבר שעלול להוביל לפציעות.
- ◀ **התחילו לקדוח תמיד במהירות נמוכה, כאשר המקדח נוגע בחלק שבעבודה.** במהירויות גבוהות המקדח עשוי להתקעם כשהוא מסתובב ללא מגע בחלק שבעבודה, דבר שעלול להוביל לפציעות.
- ◀ **הפעילו לחץ רק בקו ישר עם המקדח, ואל תפעילו לחץ מופרז.** מקדחים עלולים להתקעם ועקב כך להישר או לגרום לאובדן שליטה וכתוצאה מכך לפציעה.

#### הוראות בטיחות נוספות

- ◀ **השתמשו בידי/ידיות העזר אם סופקו עם הכלי.** אובדן שליטה עלול לגרום לפציעה.
- ◀ **אחזו את הכלי היטב בשתי ידיים בעת העבודה.** עבודה בשתי ידיים מבטיחה הובלה טובה יותר של הכלי.
- ◀ **אם כלי הקידוח נעצר יש לכבות מיד את כלי העבודה החשמלי.** היו מוכנים לרעש שמומנט התגובה גורם לו. כלי הקידוח נעצר כאשר ישנו עומס רב מדי על כלי העבודה החשמלי או כאשר הוא נתקע במהלך העבודה.
- ◀ **אבטטו את החלק שבעבודה.** חלק שמהודק באמצעות התקן הידוק או מלחציים מוחזק בטוח יותר מאשר החזקה ידנית.
- ◀ **השתמשו בציוד מתאים כדי לאתר קווי אספקה מוסתרים או הזמינו לשם כך טכנאי של חברת החשמל, הגד או המים.** מגע בכבלים חשמליים עלול לגרום לשריפה או להתחשמלות, נזק לצנרת גד עלול לגרום



**15) מחזיק אוניברסלי עם קנה SDS plus<sup>a</sup>**

(a) האביזרים המוצגים או המתוארים אינם כלולים במפרט האספקה הסטנדרטי. את מגוון האביזרים המלא תמצאו בקטלוג האביזרים שלנו.

**נתונים טכניים**

פטישון		GBH 2-28
מק"ט	3 611 B67 5..	
בקרת סל"ד	●	
סיבוב ימין/שמאלה	●	
הספק קבוב	ואט	880
קצב הלימות	לדקה	4000-0
כוח הלימה בודדת לפי EPTA-Procedure 05:2016	J	3.2
סל"ד	לדקה	900-0
תפסנית	SDS plus	
קוטר ציר	מ"מ	50
קוטר קידוח מקס'		
- בטון	מ"מ	28
- קיר לבנים (עם מקדח כוס)	מ"מ	68
- פלדה	מ"מ	13
- עץ	מ"מ	30
משקל לפי EPTA-Procedure 01:2014	ק"ג	2.9
דירוג הגנה	II / □	

הערכים שניתנו תקפים למתח נומינלי של 230V. למתח נמוך יותר ולדגמים בארצות מסוימות ערכים אלה עשויים להשתנות. הערכים עשויים להשתנות על פי המוצר ועל פי תנאי הסביבה והשימוש. מידע נוסף בכתובת [www.bosch-professional.com/wac](http://www.bosch-professional.com/wac).

**התקנה**

◀ לפני כל עבודה בכלי העבודה יש לנתק את התקע משקע החשמל.

**ידיית נוספת**

◀ השתמש בכלי העבודה רק עם הידיית הנוספת (10).  
 ◀ ודא שידית העזר מהודקת היטב. אחרת אתה עלול לאבד את השליטה על הכלי במהלך העבודה.

**הייתי הידיית הנוספת (ראו איור A)**

אתם יכולים לסובב את הידיית הנוספת (10) כרצונכם, כדי להגיע לתנוחת עבודה בטוחה ולא מאומצת.

- סובבו את הידיית התחתונה של הידיית הנוספת (10) נגד כיוון השעון, והטו את הידיית הנוספת (10) למצב הרצוי. לאחר מכן סובבו את הידיית התחתונה של הידיית הנוספת (10) עם כיוון השעון כדי לקבע אותה. ודאו שהחבק של הידיית הנוספת נמצא בחריץ המיועד לו בגוף.

**בחירת תפסנית ואביזרים**

לצורך קידוח בהלימה וחציבה דרוש אביזרי SDS-plus, המתאימים לתפסנית SDS-plus.  
 לצורך קידוח ללא הלימה בעץ, מתכת, קרמיקה ופלסטיק וכן לצורך הברגה יש להשתמש באביזרים ללא SDS-plus (לדוגמה מקדח עם קנה גלילי). עבור כלי זה דרושה תפסנית מהירה.

**החלפת כלי עבודה**

מגן האבק (2) מונע חדירת אבק לתוך התפסנית במהלך העבודה. בעת הכנסת איזמל לתפסנית חשוב לוודא שמגן האבק (2) אינו נידוק.

◀ מגן אבק פגום יש להחליף מיידית. מומלץ לפנות לשירות הלקוחות לשם כך.

**החלפת אביזר (SDS-plus)**

**הכנסת אביזר SDS-Plus (ראו איור B)**  
 בעזרת תפסנית SDS-plus אפשר להחליף את האביזר בקלות ובנוחות ללא שימוש בכלי עבודה נוספים.  
 - נקו את קצה האביזר ושמו אותו מעט.  
 - סובבו את האביזר לתוך התפסנית עד שהוא ננעל אוטומטית.

- ודאו שהאביזר נעול על ידי משיכתו.

המערכת מאפשרת לאביזר SDS-plus לנוע בחופשיות. עקב כך נוצרת תנועה שאינה עגולה לגמרי במצב סרק. אין לכך השפעה על דיוק הקידוח, מאחר שבמהלך הקידוח המקדח מתמרכז מעצמו.

**הוצאת אביזר SDS-Plus (ראו איור C)**

- דחפו את שרול הנעילה (3) לאחור והוציאו את האביזר.

**שיאבת אבק/שבבים**

אבק מחומרים כגון צבעים המכילים עופרת, סוגי עץ מסוימים, מינרלים ומתכות עלול להזיק לבריאות. נגיעה בסוגי אבק אלה או שאיפתם עלולות לגרום לתגובות אלרגיות ו/או למחלות בדרכי הנשימה של המשתמש או של אנשים אחרים הנמצאים בקרבת מקום.

סוגי אבק מסוימים, כגון אבק של עץ אלון או אשור, נחשבים מסרטנים, במיוחד בשילוב עם חומרים אחרים המשמשים לטיפול בעץ (כרומוט, חומר הגנה לעץ). רק מומחים רשאים לעבוד בחומרים המכילים אסבסט.

- השתדלו להשתמש בשיאבת אבק המתאימה לסוג החומר.

- יש לדאוג לאוורור מספיק במקום העבודה.

- מומלץ לחבוש מסכת נשימה הכוללת מסנן בדרגה P2.

- שימו לב לתקנות הרלוונטיות בארצכם לגבי עבודה עם חומרים אלו.

◀ מנעו הצטברויות אבק במקום העבודה. אבק עלול להידלק בקלות.

**שיאבת אבק עם GDE 16 Plus (אביזר) (ראו איור D)**

דרוש עבור שיאבת אבק עם GDE 16 Plus (אביזר). שואב האבק צריך להתאים לחומר שאתו עובדים.

עבור שיאבה של חומרים מסוכנים לבריאות, מסרטנים או שיאבת אבק יבש יש להשתמש בשואב אבק מיוחד.

### הדלקה/כיבוי

- כדי להדליק את כלי העבודה לחצו על מתג ההדלקה/כיבוי (6).
- כדי לקבע במקום את מתג ההדלקה/כיבוי (6) החזיקו אותו לחוץ, ולחצו בנוסף לכך על לחצן הקיבוע (5).
- כדי לכבות את כלי העבודה הרפו ממתג ההדלקה/כיבוי (6). אם מתג ההדלקה/כיבוי (6) מקובע, לחצו עליו ראשית ואז הרפו ממנו.

### כוונון מהירות הסיבוב / קצב ההלימה

- תוכלו לווסת את מהירות הסיבוב / קצב ההלימה לכל ערך שתבחרו בטווח באמצעות עומק הלחיצה של מתג ההדלקה/כיבוי (6).
- לחיצה קלה על מתג ההדלקה/כיבוי (6) יוצרת מהירות סיבוב / קצב הלימה נמוכים. הגברת הלחץ על מתג ההדלקה/כיבוי מגדילה את מהירות הסיבוב / קצב ההלימה.

### שינוי מצב האזמל (Vario-Lock)

- ניתן לנעול את האזמל ב-36 מצבים. הדבר מאפשר להגיע לתנוחת העבודה האופטימלית.
- הכניסו את האזמל לתפסנית.
- סובבו את מתג עצירת הסיבוב/ההלימה (8) למיקום "Vario-Lock".
- סובבו את הכלי למיקום המבוקש של האזמל.
- סובבו את מתג עצירת הסיבוב/ההלימה (8) למיקום "חציבה". התפסנית נעולה כעת.
- קבעו כיוון סיבוב ימינה עבור חציבה.

### הנחיות לעבודה

#### קביעת עומק הקידוח (ראו אזור F)

- באמצעות מעצור העומק (11) אפשר לקבוע את עומק הקידוח המבוקש.
- לחצו על הלחצן עבור כוונון עומק הקידוח (9), וכוונו את מעצור העומק שבידית הנוספת (10).
- החריצים במעצור העומק (11) צריכים לפנות למטה.
- דחפו את כלי SDS-plus לתוך תפסנית (1) SDS-plus עד הסוף. אחרת התנועתיות של כלי SDS-plus עלולה לשבש את כוונון העומק של הקידוח.
- משכו את מעצור העומק החוצה כך שהמרווח בין חוד המקדח וחוד מעצור העומק יהיה שווה לעומק הקידוח המבוקש X.

#### עצירת תגובת פתע (KickBack Control)

- פונקציית הכיבוי המהיר (KickBack Control) מאפשרת שליטה טובה יותר בכלי וכך מגבירה את ההגנה על המשתמש בהשוואה לכלים ללא Kickback Control. במקרה של סיבוב פתאומי ולא צפוי של הכלי החשמלי סביב ציר הקידוח, הכלי יכבה.



- כדי להחזיר את הכלי לעבודה, הרפו ממתג הדלקה/כיבוי (6) ואז לחצו עליו פעמיים.

#### הכנסת ביט הברגה (ראו אזור G)

- הצמידו את כלי העבודה החשמלי לבורג/לאום רק כשהוא כבוי. כלי חיתוך מסתובב עלול להחליק.

כדי להשתמש בביט הברגה דרוש מחזיק אוניברסלי (15) עם קנה SDS plus (אבזור).

### שאיבת אבק עם GDE 18V-26 D (אבזור)

- לצורך שאיבת אבק דרושה מערכת השאיבה GDE 18V-26 D (אבזור).
- כאשר משתמשים ב-GDE 18V-26 D יש להישמע להנחיות בנוגע לשימוש על פי הייעוד, המופיעות בהוראות ההפעלה של המכשיר.

### מכסה איסוף אבק (אבזור) (ראו אזור E)

- לצורך איסוף נוח של האבק ללא שואב אבק דרוש מכסה איסוף אבק (14).

## תפעול

### הפעלה ראשונה

- שימו לב למתח רשת החשמל! המתח במקור החשמל חייב להתאים לנתונים המצוינים על לוחית הדגם של כלי העבודה החשמלי. כלי עבודה המסומנים ב-V 230 יכולים לפעול גם במתח של 220 V.

### בחירת מצב הפעולה

- באמצעות מתג עצירת הסיבוב/הלימה (8) בחרו את מצב הפעולה של כלי העבודה החשמלי.
- כדי להחליף מצב פעולה לחצו על לחצן השחרור (7) וסובבו את מתג עצירת הסיבוב/הלימה (8) לעמדה המבוקשת, עד שניתן לשמוע אותו ננעל בעמדה זו.
- הערה: יש לשנות את מצב העבודה רק כאשר כלי העבודה כבוי! אחרת כלי העבודה עלול להימק.



- עמדה לצורך קידוח ללא הלימה בעץ, מתכת, קרמיקה ופולסטיק כמו גם לצורך הברגה
- עמדה Vario-Lock לשינוי המיקום של האזמל בעמדה זו מתג עצירת הסיבוב/ההלימה (8) לא ננעל.

עמדה עבור חציבה

### קביעת כיוון הסיבוב

- באמצעות מתג כיוון הסיבוב (4) אפשר לשנות את כיוון הסיבוב של כלי העבודה. אולם זה אינו אפשרי כאשר מתג ההדלקה/כיבוי (6) לחוץ.
- לחצו על מתג כיוון הסיבוב (4) רק כאשר כלי העבודה אינו בפעולה.
- עבור קידוח בהלימה, קידוח וחציבה יש לקבוע תמיד כיוון סיבוב ימינה.

- סיבוב ימינה: סובבו את מתג כיוון הסיבוב (4) משני הצדדים עד שהוא נעצר בעמדה ←.
- סיבוב שמאלה: סובבו את מתג כיוון הסיבוב (4) משני הצדדים עד שהוא נעצר בעמדה →.

- נקו את הראש של הקנה וגרזו אותו מעט.
- הכניסו בסיבוב את המחזיק האוניברסלי אל התפסנית, עד שהוא ננעל מעצמו.
- בדקו במשיכה שהמחזיק האוניברסלי נעול.
- הכניסו ביט הברגה למחזיק האוניברסלי. השתמשו בביט הברגה שמתאים לראש הבורג.
- כדי להוציא את המחזיק האוניברסלי, דחפו את שרוול הנעילה (3) אחורה, והוציאו את המחזיק האוניברסלי (15) מהתפסנית.

## תחזוקה ושירות

### תחזוקה וניקוי

- ◀ **לפני כל עבודה בכלי העבודה יש לנתק את התקע משקע החשמל.**
- ◀ **שמרו על ניקיון כלי העבודה ופתחי האוורור, כדי להבטיח עבודה טובה ובטוחה.**
- אם צריך להחליף את כבל החשמלי, יש לבצע זאת על ידי **Bosch** או על ידי מעבדת שירות מורשה של לדיקו נציגת **Bosch** בישראל.
- ◀ **יש להחליף מיד מגן אבק פגום. מומלץ לעשות זאת בשירות הלקוחות.**
- נקו את התפסנית (1) לאחר כל שימוש.

### שירות לקוחות וייעוץ לקוחות

שירות הלקוחות יענה לשאלותכם בנושא תיקונים ותחזוקת המוצר כמו גם בנושא חלקי חילוף. שרטוטים מפורטים ומידע על חלקי חילוף תמצאו בכתובת: [www.bosch-pt.com](http://www.bosch-pt.com) צוות היועצים של Bosch ישמח לענות על כל שאלה שלכם בנוגע למוצרים או לאביזרים שלנו. בכל פנייה והזמנת חלקי חילוף יש לציין את מספר הפריט בן 10 ספרות, כמצוין על לוחית הדגם של המוצר.

### ישראל

לדיקו בע"מ  
רחוב לזרוב 31, ראשל"צ 7565434  
טל': 03-9630040  
פקס: 03-9630050  
דוא"ל: [service@ledico.com](mailto:service@ledico.com)

### כתובות שירות נוספות תמצאו כאן:

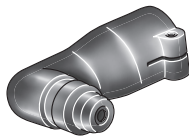
[www.bosch-pt.com/serviceaddresses](http://www.bosch-pt.com/serviceaddresses)

### סילוק

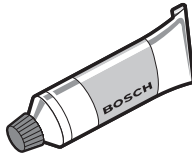
כלי עבודה חשמליים, אביזרים ואריזות יש להביא למיחזור ידיוותי לסביבה.

אין להשליך כלי עבודה חשמליים לפסולת הביתית!





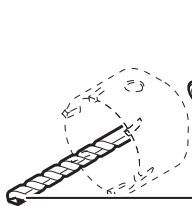
2 608 000 502



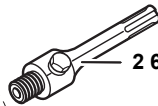
2 608 002 021



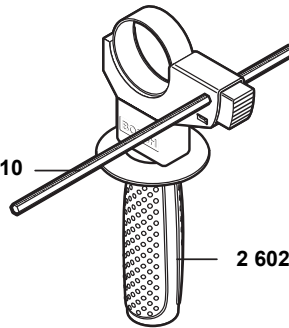
2 608 550 074 (Ø 40 mm)  
 2 608 550 075 (Ø 50 mm)  
 2 608 550 076 (Ø 68 mm)



2 608 596 157  
 Ø 8 mm

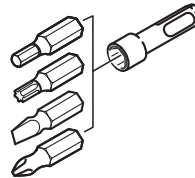


2 608 550 057

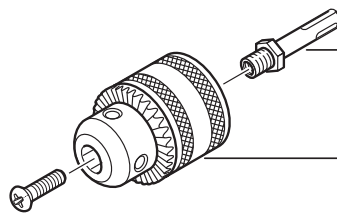


1 613 001 010

2 602 025 141



2 607 000 207



1 617 000 132  
 SDS-plus

1 608 571 062  
 Ø 1,5 - 13 mm



1 607 950 045

