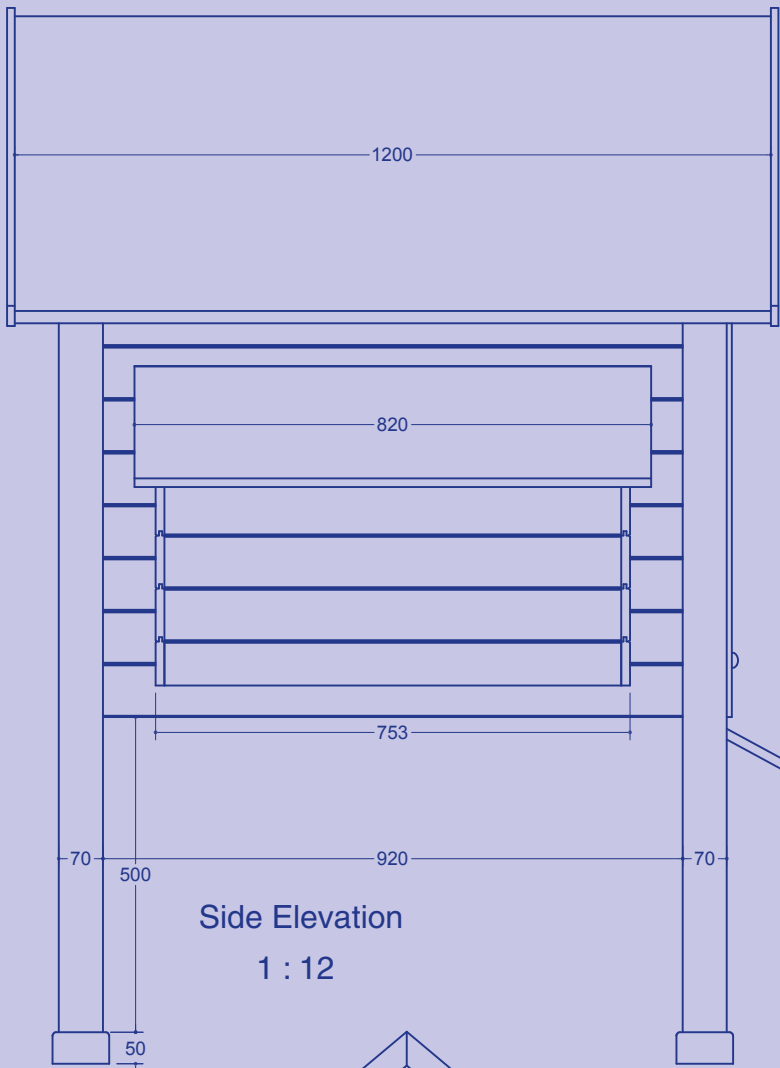
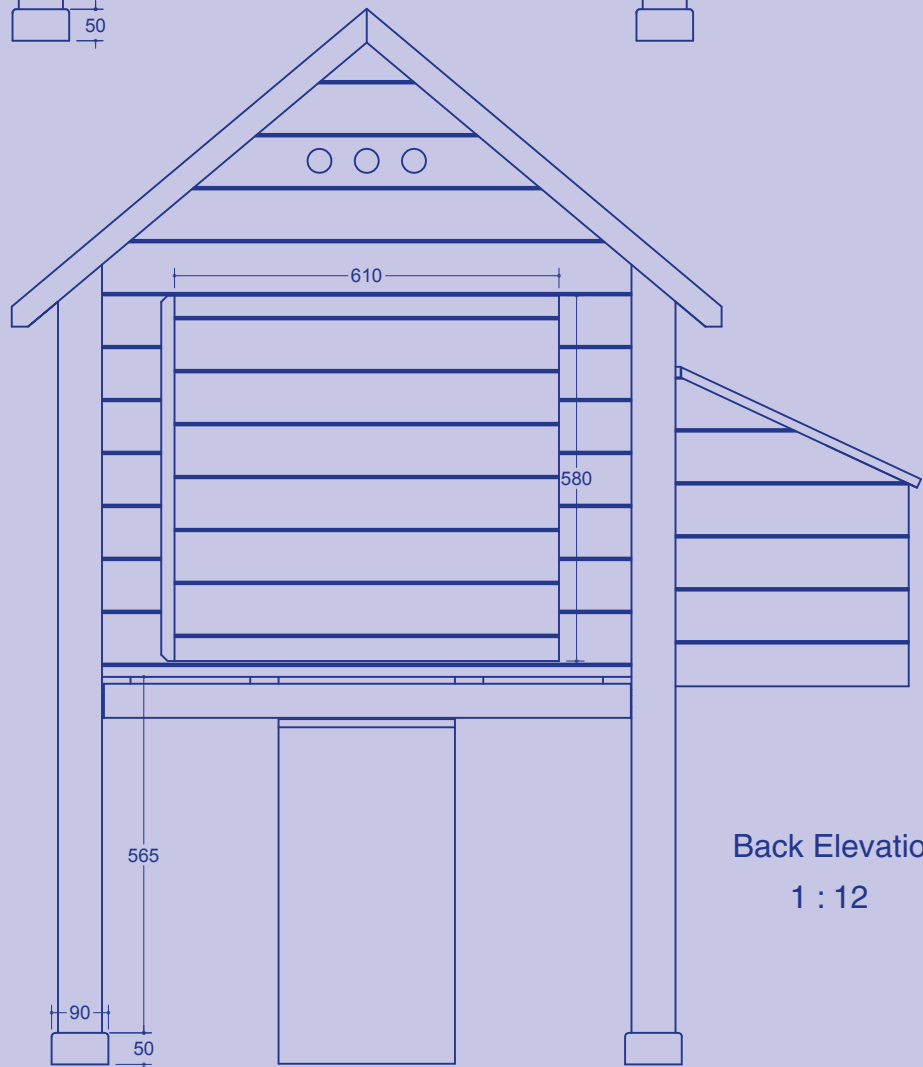


**Build it with Bosch:**

# THE TOOLS for the job



Side Elevation  
1 : 12



Back Elevation  
1 : 12



GSK 18 V-Li Professional Nailers



GSR 18 V-Li Professional Cordless Drill/Driver



GKF 600 Professional 1/4in Palm Router



GCM 12 GDL Professional Mitre Saw



GHO 15-82 Professional Planer



GKT 55 GCE Professional Circular Saw



GOF 1600 CE Professional Router



GSB 19-2 REA Professional Impact Drill

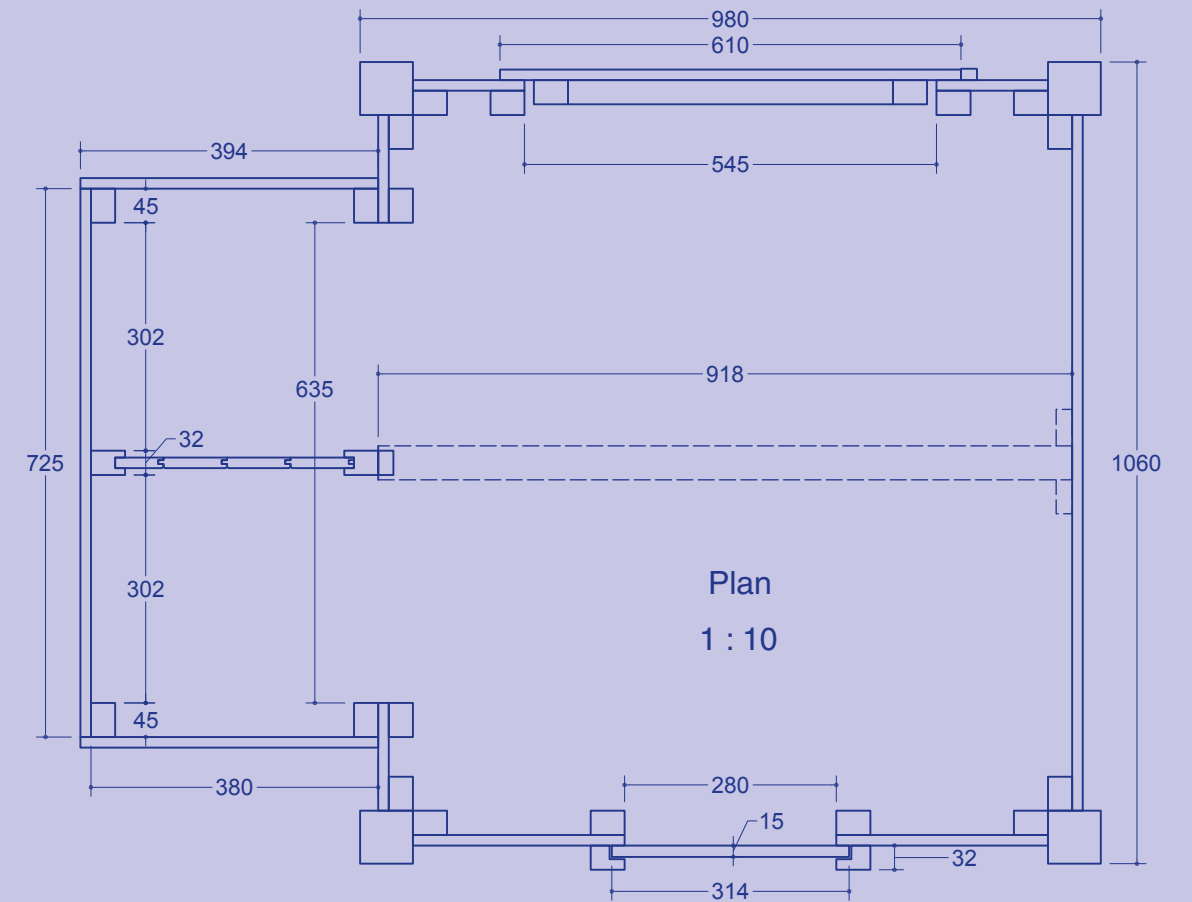
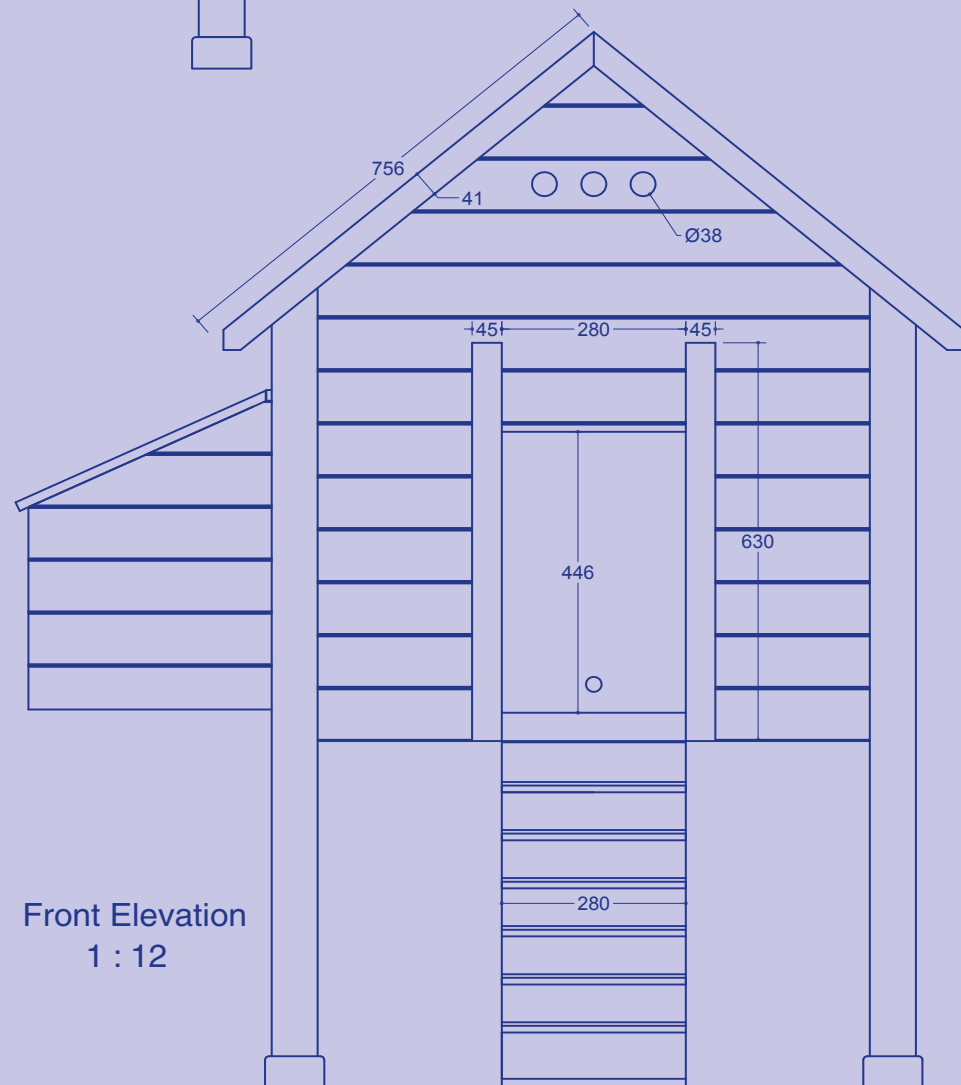
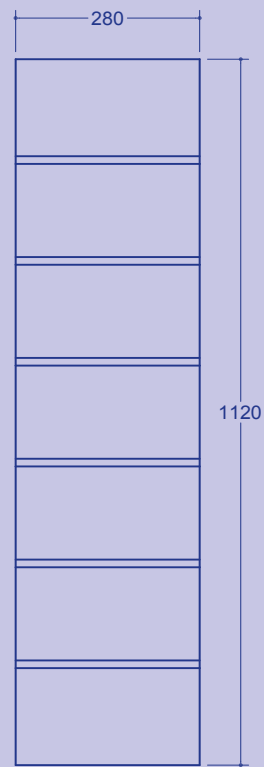
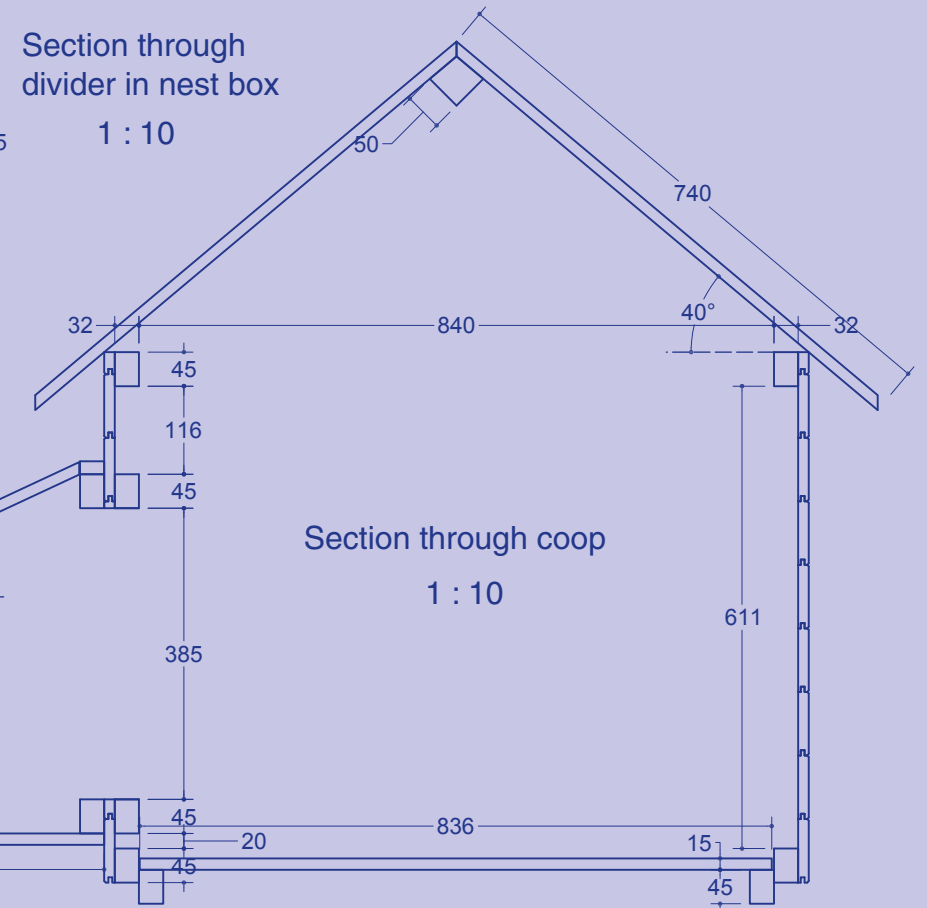
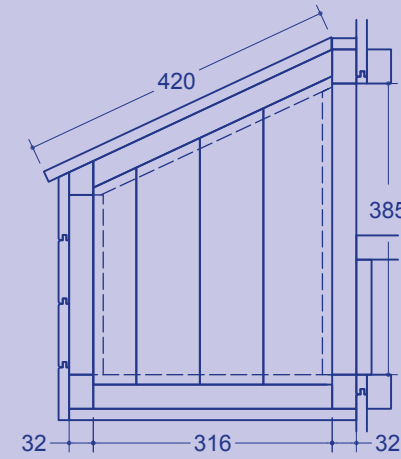
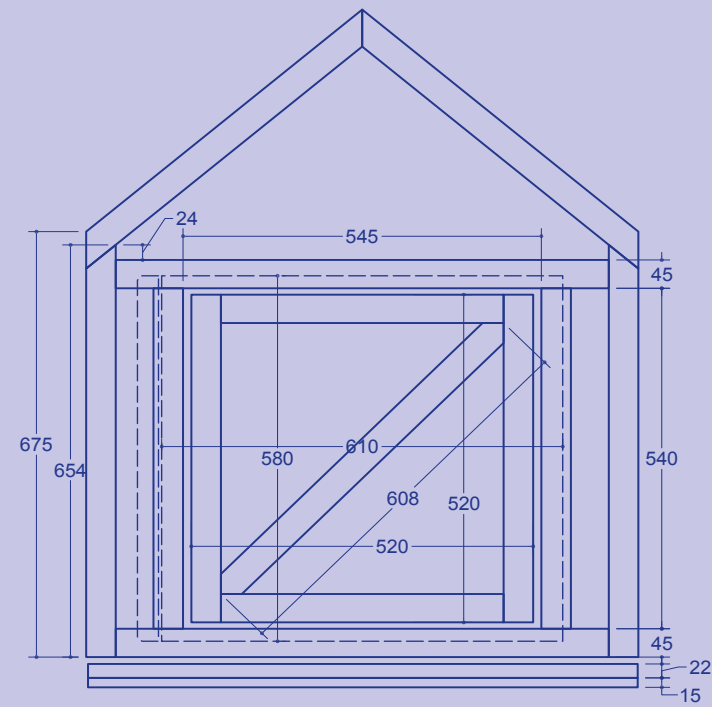
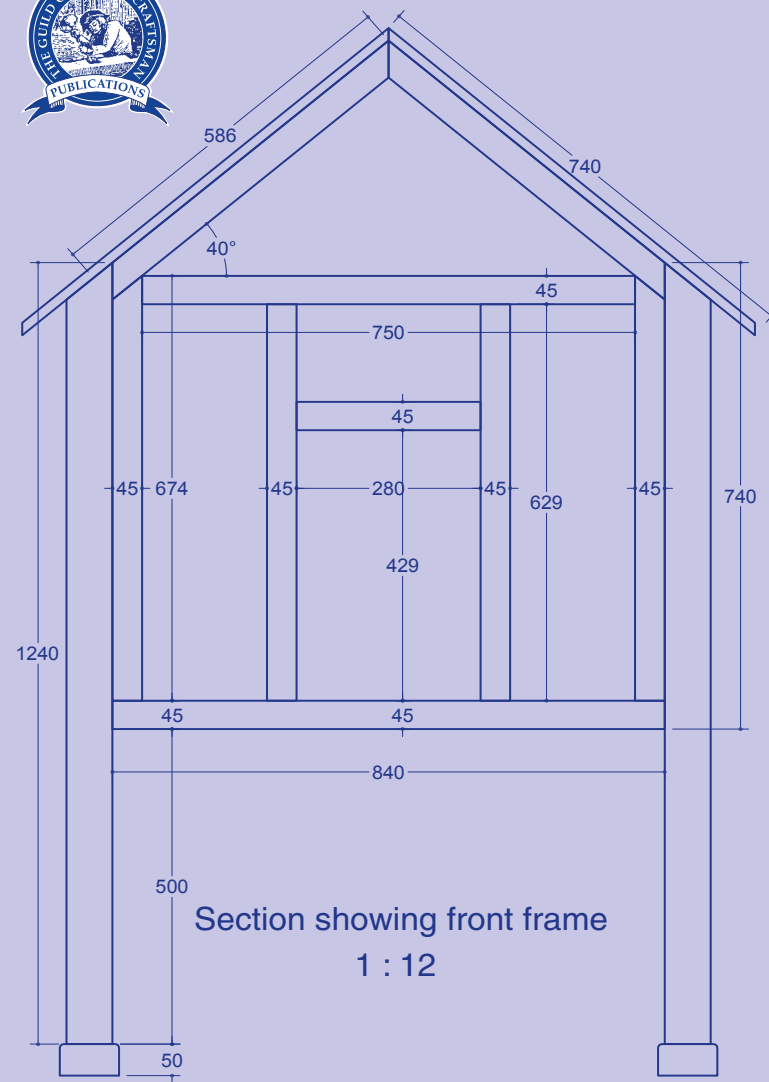


GST 140 BCE Professional Jigsaw



# Your free chicken coop plan

## WOODWORKING Plans & Projects



## Your free chicken coop plan

### Cutting List

ROOF	2 @ 1200 x 740 x 15
ROOF TRIM	4 @ 760 x 42 x 12
CORNER POSTS	4 @ 1240 x 70 x 70
RIDGE BEAM	1 @ 920 x 50 x 50
POST PADS	4 @ 90 x 90 x 50
FRONT FRAME	
RAFTERS	2 @ 586 x 45 x 32
SIDES	2 @ 674 x 45 x 32
BOTTOM	1 @ 840 x 45 x 32
TOP	1 @ 750 x 45 x 32
SIDE INFILL	2 @ 629 x 45 x 32
DOOR HEAD	1 @ 280 x 45 x 32
BACK FRAME	
RAFTERS	2 @ 586 x 45 x 32
SIDES	2 @ 654 x 45 x 32
BOTTOM/TOP	2 @ 750 x 45 x 32
SIDE INFILL	2 @ 540 x 45 x 32
SIDE FRAMES	
SIDES	4 @ 635 x 45 x 32
BOTTOM/TOP	4 @ 920 x 45 x 32
NEST BOX ADDITION	
SIDE INFILL	2 @ 611 x 45 x 32
TOP/BOTTOM TRIM	2 @ 635 x 45 x 32

FRONT DOOR	
SIDE RUNNERS	2 @ 634 x 45 x 32
BOTTOM INFILL	1 @ 314 x 45 x 32
DOOR	1 @ 446 x 314 x 15
RAMP	1 @ 1120 x 280 x 15
FLOOR	1 @ Ex 970 x 836 x 15
FLOOR RUNNERS	2 @ 920 x 45 x 32
FLOOR TRIM	1 @ 836 x 22 x 32

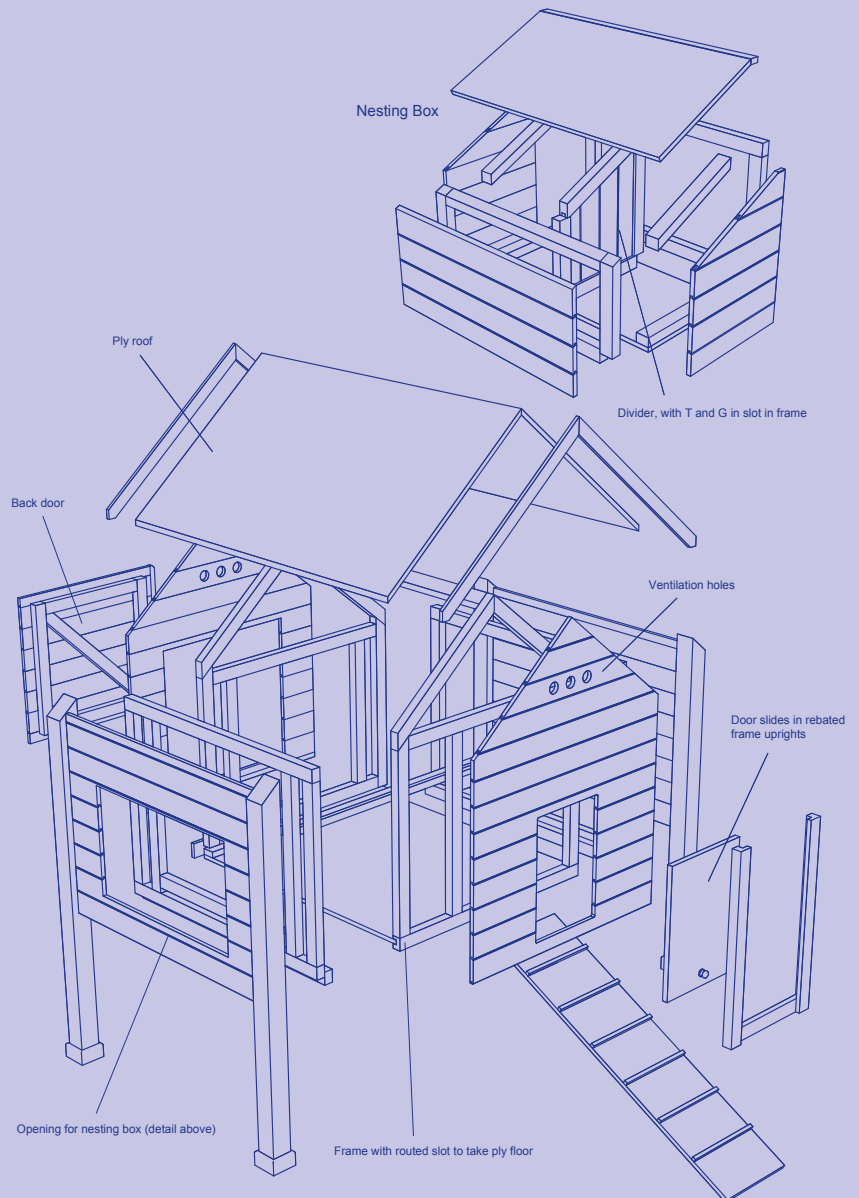
Cladding not included in cutting list. Plans show 12mm shiplap

Design Copyright – Alan Holtham

Items made using LineMine plans are for personal use.  
Designs may not be reproduced for commercial purposes  
without the prior consent of the copyright owner.

### Cutting List (cont)

NEST BOX FRAME	
RAFTERS	2 @ 366 x 45 x 32
BEAMS	4 @ 725 x 45 x 32
UPRIGHTS	2 @ 238 x 45 x 32
UPRIGHTS	2 @ 385 x 45 x 32
BOTTOMS	2 @ 316 x 45 x 32
FLOOR	1 @ 725 x 380 x 15
ROOF	1 @ 820 x 420 x 15
ROOF TRIM	1 @ 820 x 35 x 15
NEST BOX DIVIDER FRAME	
RAFTER	1 @ 420 x 45 x 32
SIDE	1 @ 385 x 45 x 32
SIDE	1 @ 238 x 45 x 32
BOTTOM	1 @ 316 x 45 x 32
PERCH	1 @ 918 x 45 x 32
PERCH SUPPORT	1 @ 152 x 45 x 32
PERCH HANGER	1 @ 138 x 45 x 22
BACK DOOR FRAME	
SIDES	2 @ 520 x 45 x 32
BOTTOM/TOP	2 @ 430 x 45 x 32
BRACE	1 @ 608 x 45 x 32



Guild of Master Craftsman Publications Ltd 2011

No part of this design may be reproduced, stored in a retrieval system or transmitted in any form or by any means without the prior permission of the publisher and copyright owner. The author and publisher can accept no legal responsibility for any consequences arising from the application of information, advice or instructions given on the design.

GMC Publications Ltd [www.thegmcgroup.com](http://www.thegmcgroup.com)