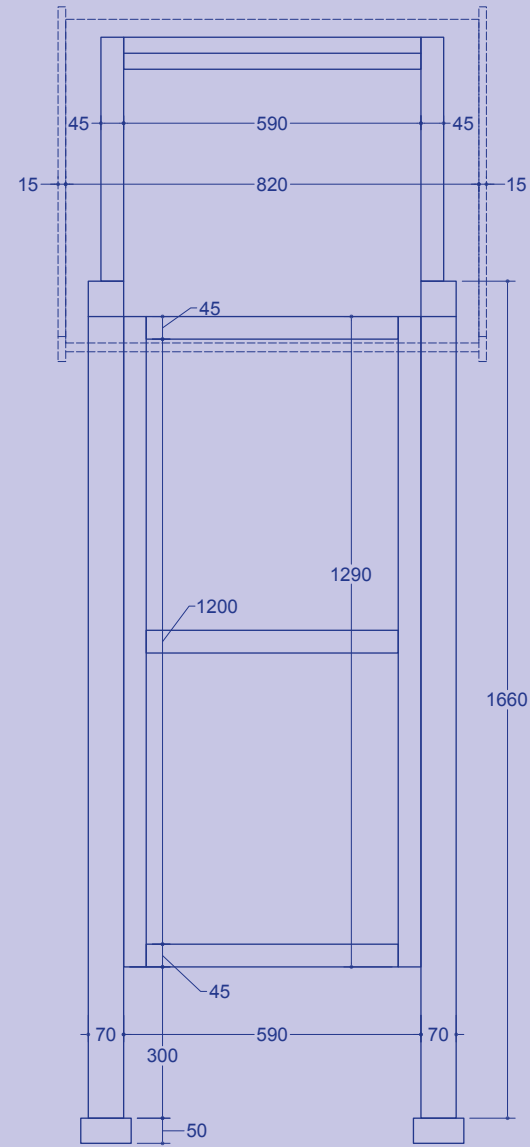
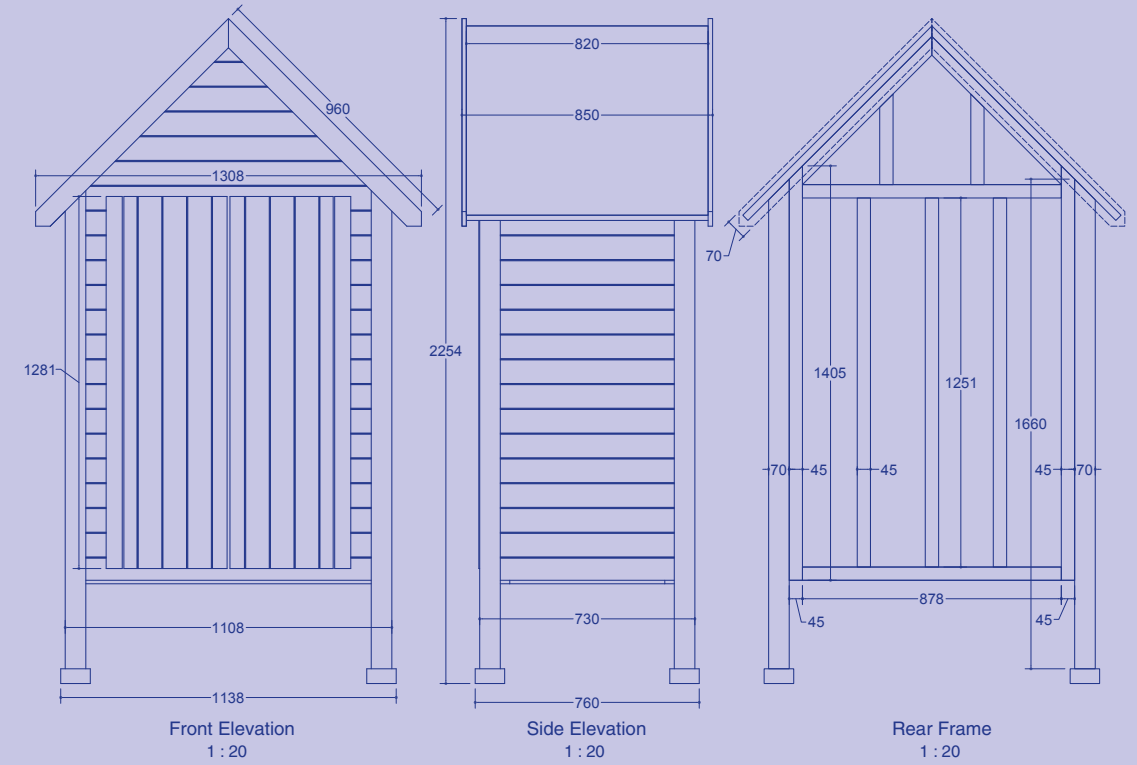


Front Frame
1 : 15



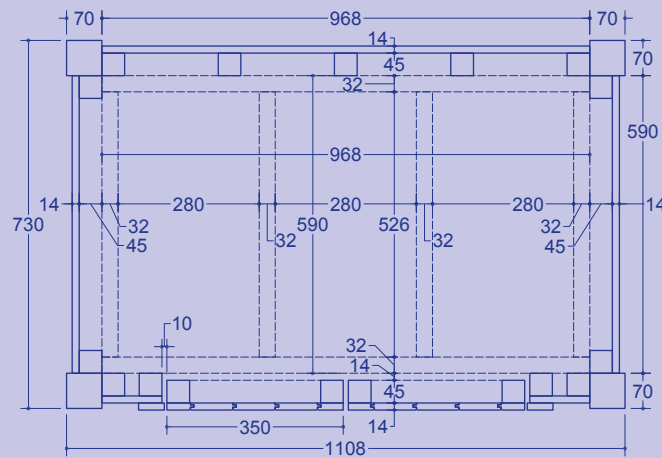
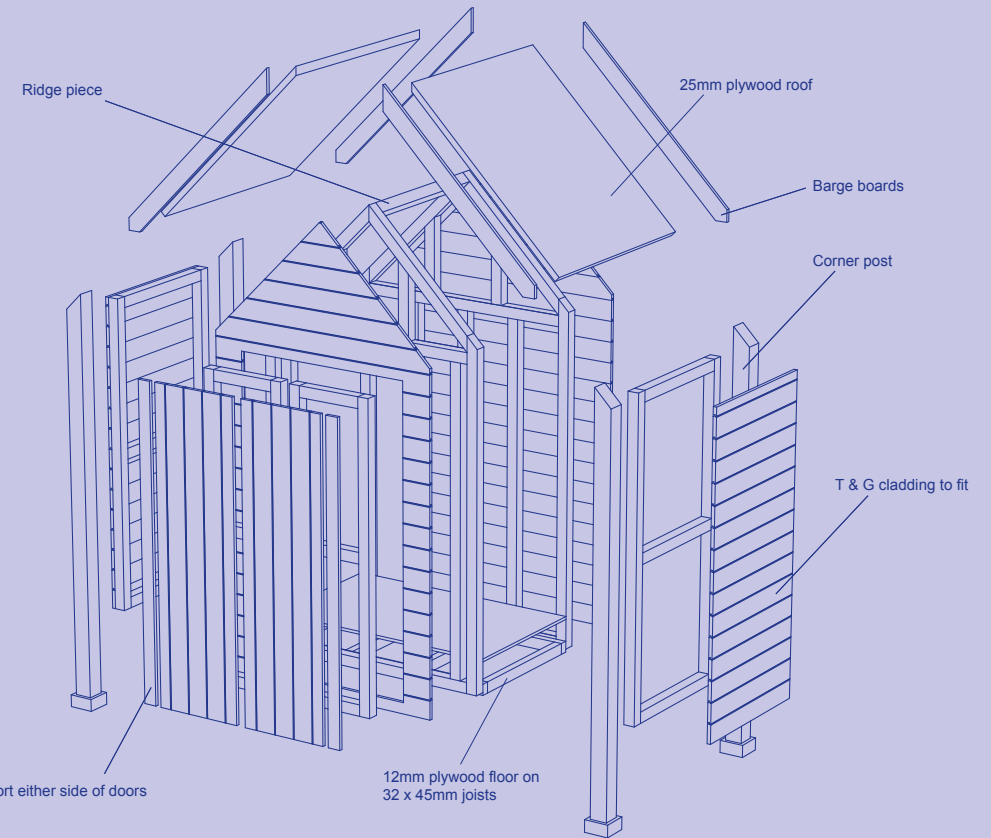
Side Frame
1 : 15



Front Elevation
1 : 20

Side Elevation
1 : 20

Rear Frame
1 : 20



Plan/Section of Frame
1 : 15

Cutting List

POSTS	4 @ 1660 x 70 x 70
ROOF	2 @ 910 x 820 x 25
BARGE BOARD	4 @ 960 x 70 x 15
FLOOR	1 @ 968 x 590 x 12
FLOOR FRAME	2 @ 968 x 45 x 32
FLOOR FRAME	2 @ 526 x 45 x 32
FRONT/BACK FRAME	
UPRIGHTS	4 @ 1405 x 45 x 45
UPRIGHTS	5 @ 1251 x 45 x 45
UPRIGHTS	4 @ 307 x 45 x 45
ROOF SUPPORTS	4 @ 666 x 45 x 45
HORIZONTALS	4 @ 878 x 45 x 45
RIDGE	1 @ 590 x 45 x 45
SIDE FRAME	
UPRIGHTS	4 @ 1290 x 45 x 45
HORIZONTALS	6 @ 500 x 45 x 45
POST FEET	4 @ 100 x 100 x 50
CLADDING TO FIT	

Design Copyright – Alan Holtham

Items made using LineMine plans are for personal use.
Designs may not be reproduced for commercial purposes
without the prior consent of the copyright owner.

Guild of Master Craftsman Publications Ltd 2013

No part of this design may be reproduced, stored in a retrieval system or transmitted in any form or by any means without the prior permission of the publisher and copyright owner. The author and publisher can accept no legal responsibility for any consequences arising from the application of information, advice or instructions given on the design.