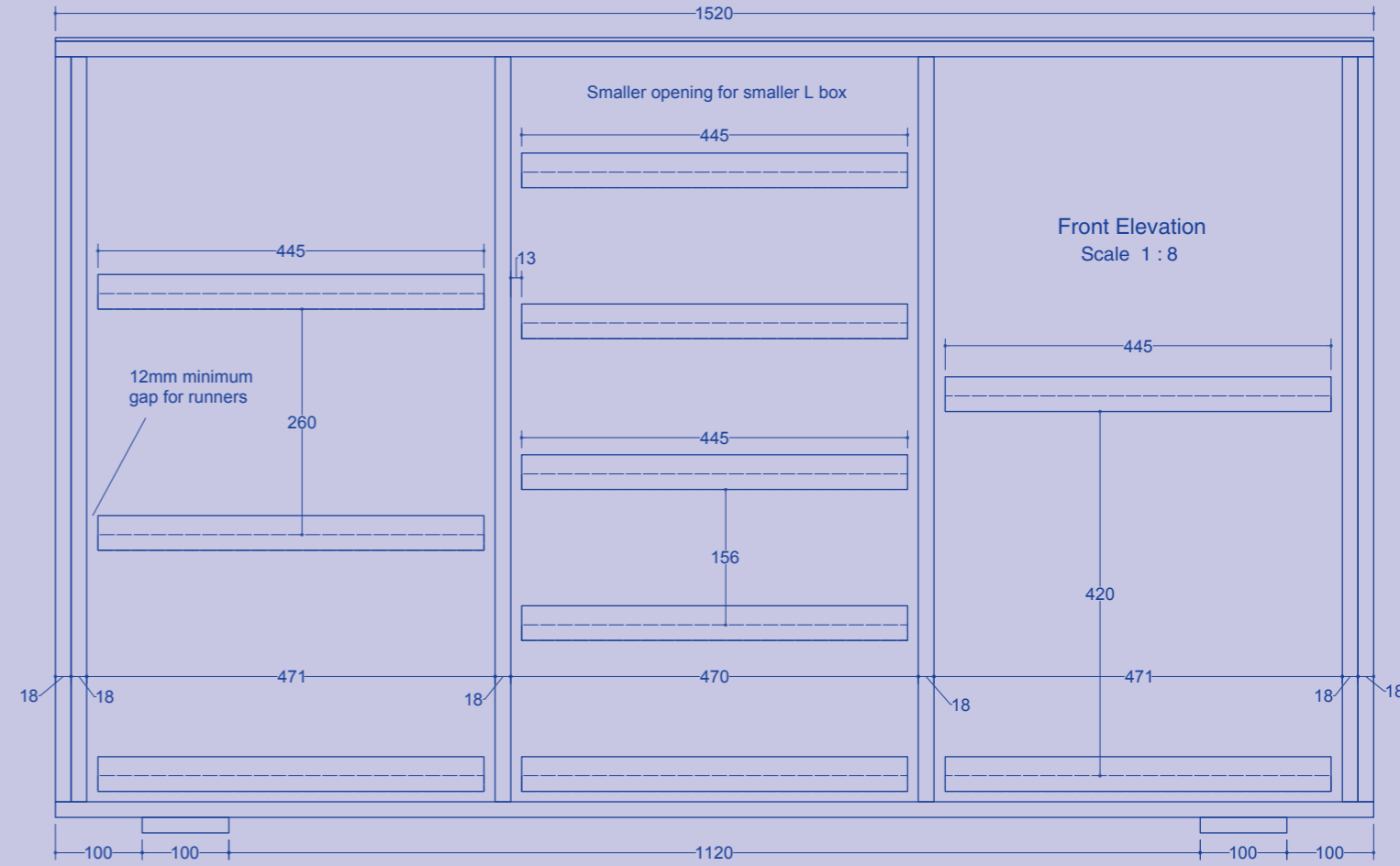
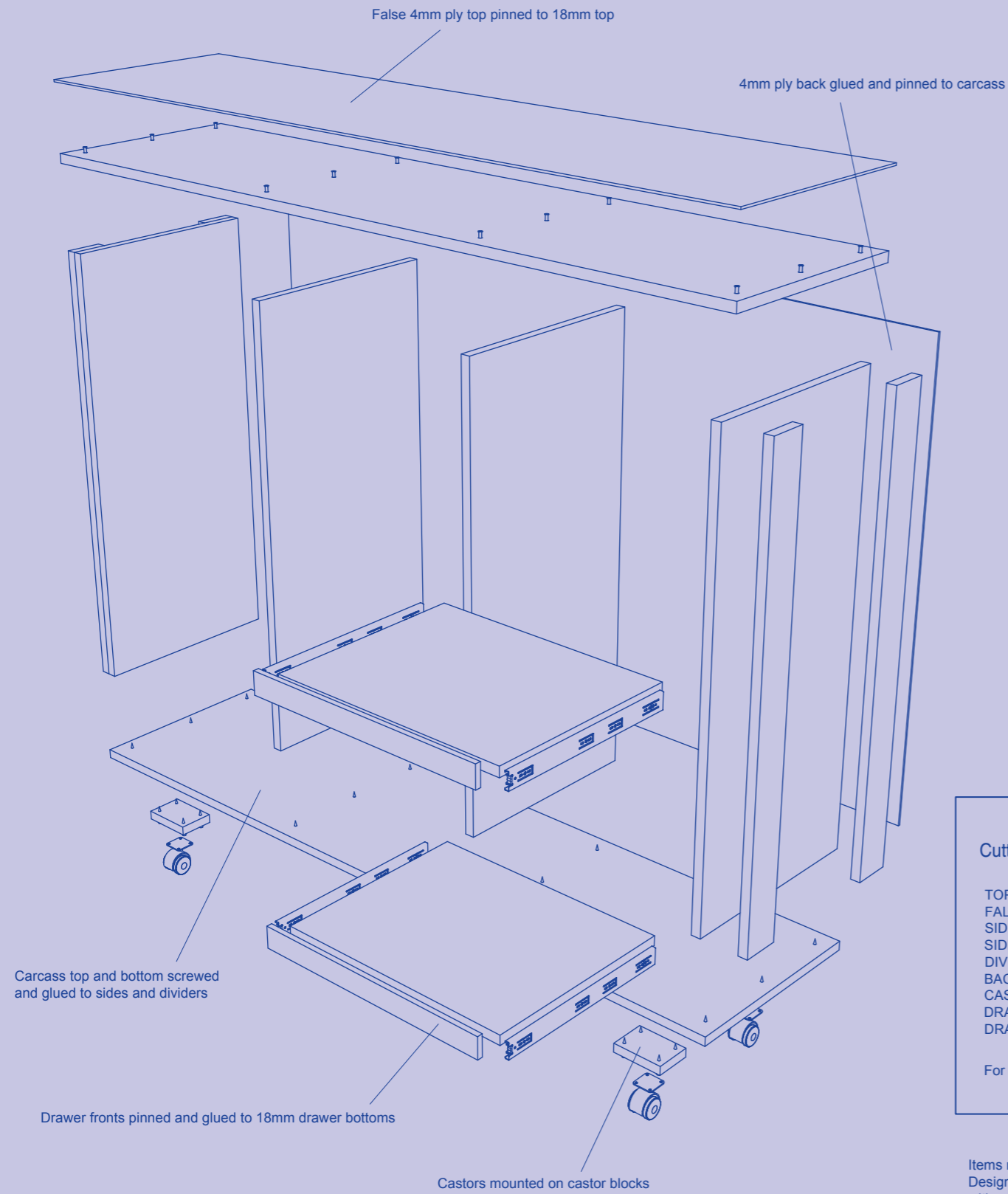


Build it with Bosch: Your free L Box Trolley plan

Drawing and layout by **LineMine**

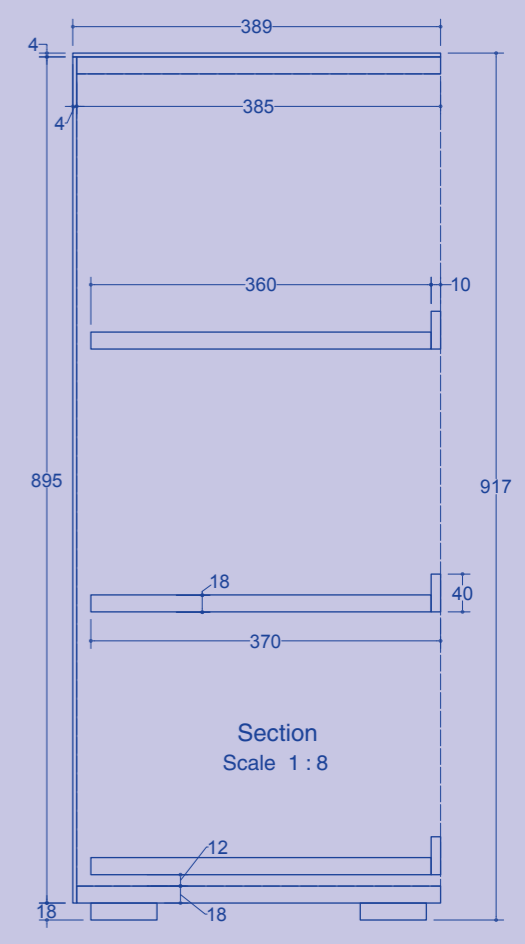
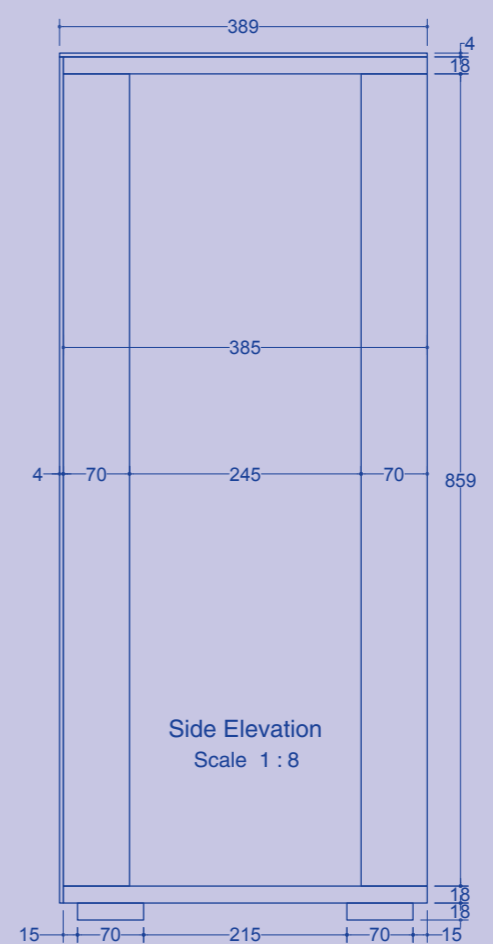


Cutting List

TOP/BOTTOM	2 @ 1520 x 385 x 18
FALSE TOP	1 @ 1520 x 389 x 4
SIDES	2 @ 859 x 385 x 18
SIDE BRACES	4 @ 859 x 70 x 18
DIVIDERS	2 @ 859 x 385 x 18
BACK	1 @ 1520 x 895 x 18
CASTOR BLOCKS	4 @ 100 x 70 x 18
DRAWER FRONTS	10 @ 445 x 40 x 10
DRAWER BOTTOMS	10 @ 445 x 360 x 18

For one unit or side only

Items made using LineMine plans are for personal use. Designs may not be reproduced for commercial purposes without the prior consent of the copyright owner.



Design Copyright – Alan Holtham and Robert Bosch GmbH

No part of this design may be reproduced, stored in a retrieval system or transmitted in any form or by any means without the prior permission of the publisher and copyright owner. The author and publisher can accept no legal responsibility for any consequences arising from the application of information, advice or instructions given on the design.